

Errata

Title & Document Type: 54750A High Bandwidth Digitizing Oscilloscope Service Guide

Manual Part Number: 54750-97011

Revision Date: April 1995

HP References in this Manual

This manual may contain references to HP or Hewlett-Packard. Please note that Hewlett-Packard's former test and measurement, semiconductor products and chemical analysis businesses are now part of Agilent Technologies. We have made no changes to this manual copy. The HP XXXX referred to in this document is now the Agilent XXXX. For example, model number HP8648A is now model number Agilent 8648A.

About this Manual

We've added this manual to the Agilent website in an effort to help you support your product. This manual provides the best information we could find. It may be incomplete or contain dated information, and the scan quality may not be ideal. If we find a better copy in the future, we will add it to the Agilent website.

Support for Your Product

Agilent no longer sells or supports this product. You will find any other available product information on the Agilent Test & Measurement website:

www.tm.agilent.com

Search for the model number of this product, and the resulting product page will guide you to any available information. Our service centers may be able to perform calibration if no repair parts are needed, but no other support from Agilent is available.

Service Guide

Publication Number 54750-97011
First Edition, April 1995

For Safety information, Warranties, Regulatory information,
and publishing information, see the pages at the back of this book.

© Copyright Hewlett-Packard Company 1994-1995
All Rights Reserved.

HP 54750A High Bandwidth Digitizing Oscilloscope

HP 54750A High Bandwidth Digitizing Oscilloscope

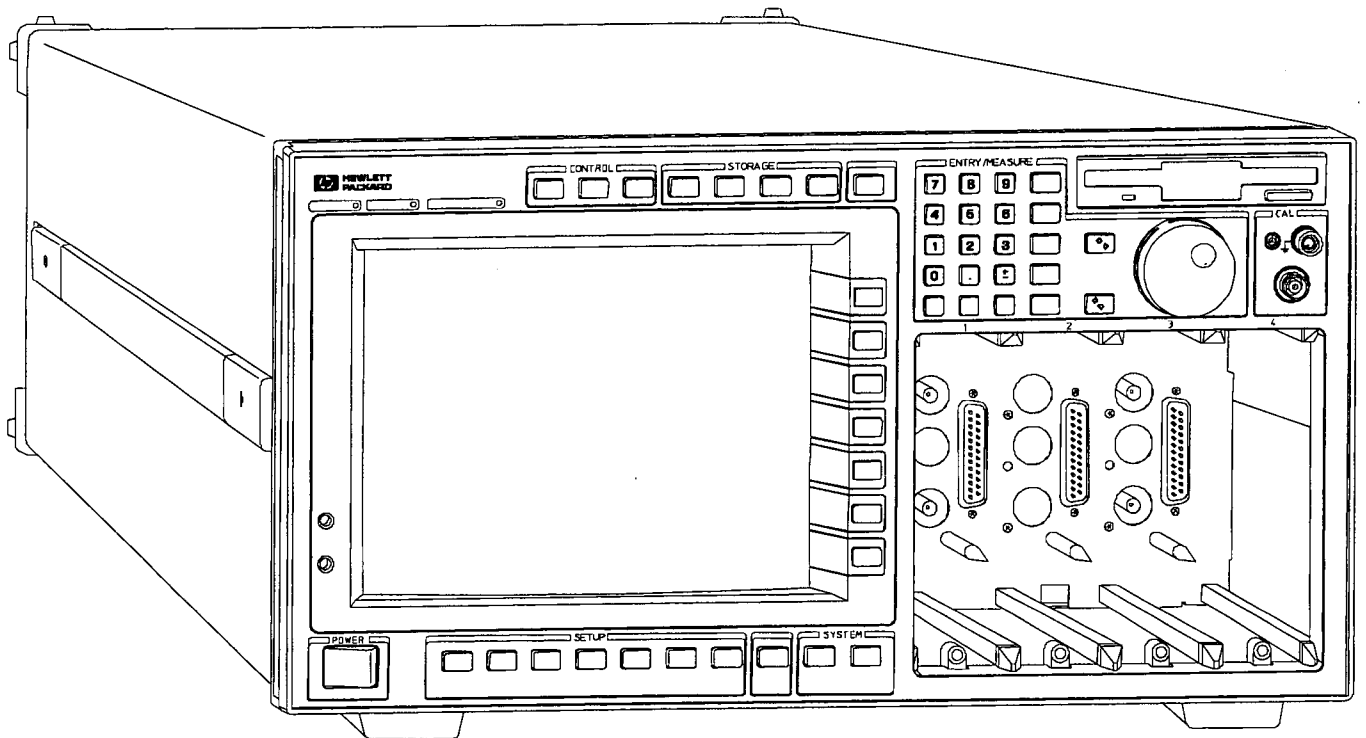
The HP 54750A High Bandwidth Digitizing Oscilloscope is a modular, high-performance, full-featured, repetitive sampling, digitizing oscilloscope for characterizing and testing high speed communications and digital waveforms. The HP 54750A accepts one or two HP 54750 series plug-in modules for up to four measurement channels. The HP 54750A will also accept the HP 83480 series electrical and optical plug-ins when the optional software is installed.

The HP 54750A has a wide range of high-performance features:

- four slots to accept one or two double-wide sampling plug-ins for up to four measurement channels
- color display that shows the captured signal, measurement results, and the selection of softkeys
- a 3.5-inch DOS compatible disk drive for storing and loading various setups and waveforms; the drive is also used for upgrading the operating system firmware
- a port for HP-IB and a parallel printer port
- failure diagnostics and self calibration in the instrument firmware
- extensive automatic measurement features

Service Policy

The service policy of this instrument is the replacement of defective assemblies. Some assemblies can be replaced on an exchange basis.



54750E07

In This Book

This book provides the service documentation for the mainframe. It is divided into eight chapters.

Chapter 1 provides general information and specifications.

Chapter 2 shows you how to prepare the oscilloscope for use.

Chapter 3 gives performance tests.

Chapter 4 covers calibration and adjustment procedures, how to do them and how often they need to be done.

Chapter 5 provides troubleshooting information.

Chapter 6 gives the procedures and techniques for replacing assemblies and other parts.

Chapter 7 includes a list of exchange assemblies and other replaceable parts, part ordering information, and shipping information.

Chapter 8 briefly covers the internal operation of the oscilloscope.

At the back of the book you will find Safety information, Warranties, and Regulatory information.

Additionally, the binder for this book is oversize so you can insert several service guides for plug-ins. Plug-in service guides are provided without binders. They should be placed after the regulatory information at the back of this book.

Contents

1 General Information

- Instruments Covered by This Service Guide 1-2
- Accessories Supplied 1-3
- Accessories Available 1-3
- Options Available 1-3
- Specifications and Characteristics 1-4
- Recommended Test Equipment 1-5

2 Preparing for Use

- Setting Up the instrument 2-3
- To inspect the instrument 2-3
- To check power requirements 2-3
- To set the line voltage selection 2-3
- To install a plug-in 2-4
- To clean the instrument 2-4



3 Testing Performance

- To test the front panel CAL signal 3-4
- To test time interval accuracy 3-5

4 Calibrating and Adjusting

- Calibrating the instrument 4-3
 - Calibration Overview 4-3
 - Calibration Interval 4-4
 - Calibration Status Displays 4-5
 - To calibrate the time base 4-8
 - To calibrate the plug-ins 4-10
 - To do the extended plug-in calibration 4-11
- Adjusting the Color CRT Module 4-12
 - To prepare the instrument 4-12
 - To adjust geometry 4-14
 - To adjust focus, landing, and convergence 4-15
 - To adjust white balance 4-22

5 Troubleshooting

- Trouble Isolation 5-3
 - Primary Trouble Isolation 5-5
 - No-Display Trouble Isolation 5-11
 - Keyboard Trouble Isolation 5-19
 - Missing Board Checks 5-22
 - Interpreting Internal Self-tests 5-23
 - Power Supply Distribution 5-25
- Utility Menu 5-27
 - HP-IB Setup 5-27
 - System Configuration 5-27
 - Calibrate 5-29
 - Self Test 5-30
 - Firmware Support 5-30
 - Service 5-31

6 Replacing Assemblies

- To return the instrument to HP for service 6-3
- A Brief Order of Procedures 6-4
- To remove and replace the front panel 6-5
- To remove and replace the keyboard 6-6
- To remove and replace the RPG 6-7
- To remove and replace the front fan 6-8
- To remove and replace the disk drive assembly 6-9
- To remove and replace the disk drive 6-9
- To remove and replace the disk drive control 6-10
- To remove and replace the rear panel 6-11
- To remove and replace the power supply 6-11
- To remove and replace the CPU and display assemblies 6-12
- To remove and replace the time base and acquisition assembly 6-12
- To remove and replace the color CRT module 6-14
- To remove and replace the motherboard 6-17
- To remove and replace the rear fan 6-19



7 Replaceable Parts

- Ordering Replaceable Parts 7-2
- Exploded Views 7-3
- Replaceable Parts List 7-8

8 Theory of Operation

- Mainframe Block-Level Theory 8-3
- Time Base and Acquisition System 8-7
- Trigger 8-7

Accessories Supplied 1-2
Accessories Available 1-2
Options Available 1-2
Performance Specifications 1-3
Performance Characteristics 1-4
Environmental Conditions 1-8
Recommended Test Equipment 1-10

General Information

This chapter gives you general information about the instrument. The following topics are covered in this chapter.

- Instrument identification
- Accessories
- Options
- Specifications and characteristics
- Test equipment requirements

Accessories Supplied

- Power Cord 2.3 meter (7.5 feet) (See chapter 7 for available power cords)
- Quick Start Guide, User's Reference, Programmer's Guide, and Service Guide
- RF Accessory Kit, HP part number 54121-68701

Accessories Available

- HP 83480K communications software package; this package provides the firmware to support the HP 83480 series of optical and electrical plug-ins, and adds standard telecom mask templates and optical/eye pattern automated measurements
- HP 3630A PaintJet option 004 (Centronics)
- HP PaintJet XC
- HP LaserJet IID, IIP, III, IIIP, 4m, and 4si
- HP DeskJet 500C, 540C, 550C, 560C
- HP 1181A system testmobile
- HP 35181A top-mounted printer stand for HP 1181A
- HP 35181C 3.5-inch drawer for HP 1181A
- HP 35181D work surface for HP 1181A

Other accessories are available. See your HP sales representative.

Options Available

- Option 907 — Rackmount kit (handles only)(HP 54710-68703) includes special long screws
- Option 908 — HP Rack-mount Kit (ears only)(HP 54710-68704) includes special long screws
- Option 909 — HP Rack-mount Kit (with handles)(HP 54710-68705) includes special long screws
- Option 0B1 — Additional Service Guide and Operating and Programming Guide Set

Other options are available. See your HP sales representative.

Performance Specifications

The specifications are the performance standards against which the product is tested. Specifications are valid after a 60 minute warm-up period.

Time Base (Horizontal)

Scale Factor	(full scale is 10 divisions)
minimum	10 ps/div
maximum	1 s/div
Delay	(time offset relative to trigger)
minimum	22 ns
maximum	1000 screen diameters or 10 seconds, whichever is smaller
Time interval accuracy	$\leq 8 \text{ ps} \pm 0.1 \% \text{ of reading}$ (dual marker measurement)
Time interval resolution	$\leq (\text{screen diameter})/(\text{record length})$ or 62.5 fs, whichever is larger

Trigger - External Input Only

Sensitivity	
dc - 100 MHz	40 mV peak to peak
100 MHz - 2.5 GHz	Increasing linearly from 40 mV at 100 MHz to 200 mV at 2.5 GHz
Pulse width	200 ps > 200 mV
Bandwidth limit	Trigger bandwidth reduced to approximately 100 MHz
Jitter (trigger and Time Base combined) (one standard deviation)	$\leq 2.5 \text{ ps} + 5E-5 \times \text{delay setting}$ (Tested using a 2.5 GHz synthesized source at 200 mV peak to peak)
Trigger input	
Maximum safe input voltage	$\pm 2 \text{ Vdc} + \text{peak ac (+16 dBm)}$
Nominal impedance	50 ohm
Percent reflection	$\leq 10\%$ for 100 ps risetime *
Connectors	3.5 mm (m)

*This specification is checked in the respective plug-in performance verification test.

Calibrator

Front Panel BNC Calibrator

dc output	
Adjustable output range	-2.5 V to +2.5 V when terminated into 50 Ohms
Output Delta Voltage Accuracy	$\pm(0.2\% \text{ of settings})$

Performance Characteristics

The characteristics are not specifications, but are included as additional information.

Time Base (Horizontal)

Delay Between Channels The difference in delay between channels can be nulled out with 1 ps resolution to compensate for differences in input cables or probe length. Up to 100 μ s of skew can be nulled out.

Reference Location The reference point can be located at the left edge or center of the display. The reference point is the point where the time is offset from the trigger by the delay time. The reference point is also the point that the time base sensitivity expands and contracts around as the time base is changed.

Triggered Mode Causes the scope to trigger synchronously to the trigger input signal.

Freerun Causes the scope to generate its own triggers.

Typical Timing Accuracy The time base uses a series of 4 ns blocks. Time Base linearity and small discontinuities across these blocks contribute to the 8 ps accuracy specification.

Trigger Edge Trigger Triggers on the positive or negative edge of the trigger input.

Hysteresis The trigger hysteresis can be set to two modes:

Normal - the trigger hysteresis is set so instrument meets trigger sensitivity specification.

High Sensitivity - hysteresis is turned off to allow best sensitivity to high frequency signals. This mode should not be used for noisy lower frequency signals that may mis-trigger without hysteresis.

BW Limit Puts the trigger signal through a low pass filter of approximately 100 MHz.

Data Display Resolution 451 points horizontally x 256 points vertically.

Graticules The user may choose full grid or no graticule, and one or two graphs.

Display Modes

Averaging The number of averages can be specified between 1 and 4096 using the numeric keypad. The INCrement/ DECrement keys or the knob will set averaging to; 1,2,4,16,64,256,1024,4096. On each acquisition, 1/n times the new data is added to (n-1)/n of the previous value at each time coordinate.

Display Colors Users may choose a default color selection or select their own colors from the front panel, or via HP-IB. Different colors are used for display background, channels, functions, background text, highlighted text, advisories, markers, overlapping waveforms, and memories.

Documentation Aids Waveforms, scaling information, and measurement results can be transferred directly to HP-IB or Centronics graphics printers.

Waveforms may also be stored on the internal MS-DOS compatible disc in PCX or TIFF format. This allows moving screen data into word processors for documentation purposes.

Programmability Instrument settings and operating modes, including automatic measurements, may be remotely programmed via HP-IB(IEEE 488.2) HP-IB programming complies with the recommendations of the IEEE 488.2 standards. The system can be programmed to take data only at specified time points, or to return only measurement results (i.e. t_r , t_f , frequency, etc.) to speed up data acquisition.

Data Transfer Rate 550 Kbytes/s typical

Measurement Times 20 automatic measurements per second typical.

Data Record Length 4k points maximum per channel.

Measurement Aids

Markers Dual voltage or time markers can be used for a variety of time and voltage measurements. Voltage markers can be assigned to channel data, measurements, functions, FFTs, histograms, color graded displays, and memories.

Automatic Pulse Parameter Measurements

Functions

magnify	differentiate
invert	min
add	max
subtract	FFTmag
multiply	histograms
divide	measurement limit testing
versus	waveform mask testing
integrate	color-graded display

Measurements

Vamptd	freq
Vbase	Tfall
Vtop	Trise
preshoot	Tmax
overshoot	Tmin
Vp-p	Tvolt
Vtime	Vavg
Vmin	Vupper
Vmax	Vmiddle
Vrms	Vlower
+width	FFTfreq
-width	FFTmag
duty cycle	FFT delta freq
delta time	FFT delta mag
period	

Histograms

p-p
median
mean
std dev
 ± 1 sigma
 ± 2 sigma
 ± 3 sigma
hits
peak

Limit Test Signals can be tested by up to four automatic parametric measurements and compared to user defined test boundaries. Failure tolerances can be selected independently for each of the parametric tests.

On failure actions:

- 1) Save channel data to memory, disk, or printer
- 2) Save screen to pixel memory, disk, or printer
- 3) Save a text log summary of all failures with time tagging to disk or printer.

Limit test can be set to run continuously, for a user selected number of waveforms, or for a defined number of failures.

Mask Test Acquired signals are tested for fit outside areas defined by up to 8 polygons. Any samples that fall within the polygon boundaries result in test failures. Masks can be loaded from disk, HP-IB, or created automatically or manually. For standard masks and further mask capabilities, refer to the User Manual.

Data collected during test

- Total number of waveforms examined
- Number of failed waveforms
- Total number of samples taken
- Number of failed samples
- Number of hits within each polygon boundary

Auto Mask Creation Masks are created automatically for single-valued voltage signals. Both delta X and delta Y tolerances can be specified.

The failure actions are identical to those of Limit Testing. Both mask testing and limit testing may be used independently or simultaneously.

FFT Up to three Fast Fourier Transforms can be run simultaneously. The three built-in filters (Hanning, rectangular, and flattop) allow optimization of frequency resolution, transients, and amplitude accuracy. Automatic measurements can be made on frequency, delta frequency, magnitude, and delta magnitude.

Frequency Span = Sample rate / 2 = record length / (2 * Time Base range)
Frequency Resolution = Time Base range / record length

Color Graded Display Infinite persistence display mode where color differentiates the number of times any individual pixel has been acquired. All points acquired are added to a database and then displayed as one of eight colors depending upon the frequency of acquisition.

Automatic parametric measurements may be taken on the Color Graded Display allowing parametric evaluation of multi-valued (eye diagram) waveforms.

Autoscale Can find repetitive signals

- > 50 Hz
- duty cycle > 1
- amplitude > 10 mV p-p vertical
- amplitude > 50 mV p-p trigger

Waveform Math Two functions can be specified and displayed. Functions may be defined as:

magnify	versus
invert	integrate
add	differentiate
subtract	minimum
multiply	maximum
divide	fft magnitude

Waveform Save Four waveforms may be stored in four non-volatile memories. They may also be stored to the internal MS-DOS compatible 1.44 mb disc.

Setup Aids

Auto-scale pressing the Auto-Scale key automatically adjusts the vertical of all channels, the horizontal scale factors, and the trigger level for a display appropriate to the applied signals.

Channel Auto-scale Auto-scale can be performed on individual channels. This mode only sets the vertical scale for the channel selected therefore saving time and keeping the automatic feature from changing other user selected settings.

Save/Recall Up to 10 complete instrument setups may be stored in the internal non-volatile memory. Additionally, many more setups can be stored on the internal MS-DOS compatible disc.

Vertical Software Calibration changes in the environmental conditions can be accommodated by performing a software calibration on the plug-ins. The calibration resets the plug-in for the current mainframe and plug-in operating temperature. Software vertical calibration is recommended prior to taking measurements requiring the best possible accuracy.

Digitizer

Converter 12 bit successive approximation A/D converter.

Resolution Up to 15 bits with averaging.

Digitizing Rate The signal is sampled and digitized at a rate dictated by the trigger repetition rate and the time base range. If data acquisition is not trigger rate limited, the maximum sample rate is 40 KHz.

Statistical Analysis

Histograms Time and voltage histograms may be taken with a user-specified number of samples or waveforms (between 1 and 99,999,999). The histograms are taken within a user-specified voltage window (time histogram) or time window (voltage histogram).

Data is stored in a database that mirrors the screen. Scaling of the time or voltage windows can be accomplished instantaneously without the need to acquire more data.

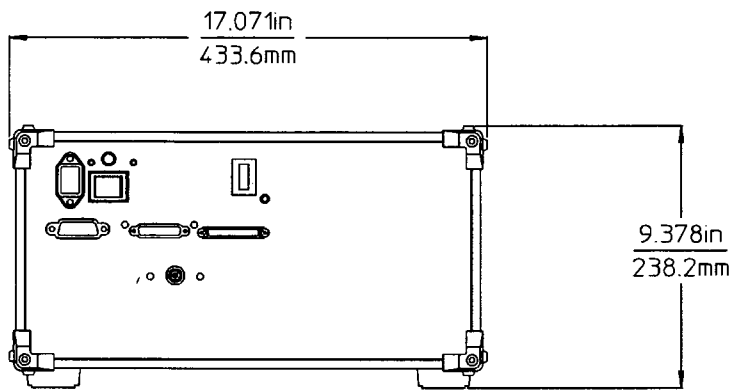
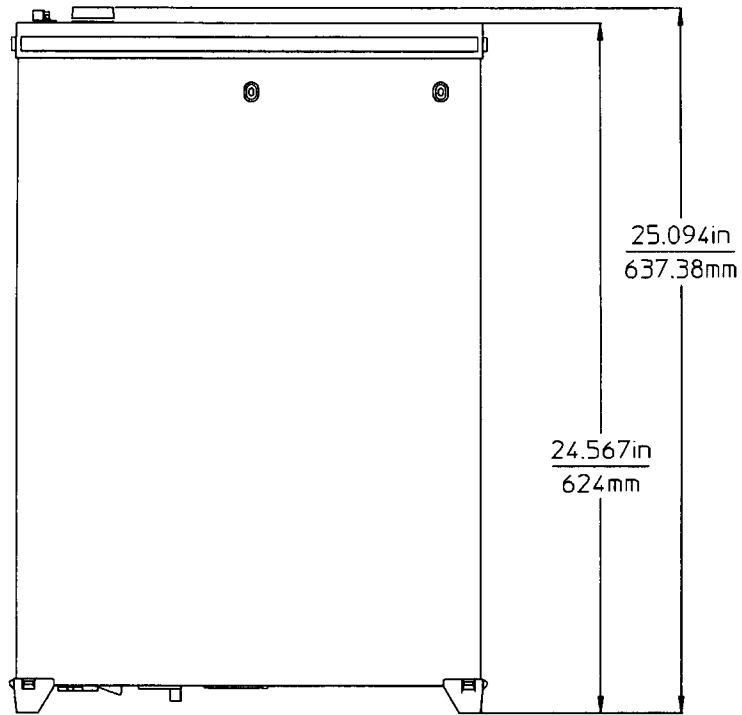
Mean and Standard Deviation Calculates the mean and standard deviation of a distribution on screen, or between the distribution limits, assuming a Gaussian distribution.

Environmental Conditions

These environmental conditions apply to the HP 54750A:

Temperature		
operating		+10° C to +40° C
non-operating		-40° C to +70° C
Humidity		
operating		Up to 90% relative humidity (non-condensing) at < +35° C
non-operating		
Altitude		
operating		Up to 4,600 meters (15,000 ft)
non-operating		Up to 15,300 meters (50,000 ft)
Vibration		
operating		Random vibration 5 to 500 Hz, 10 minutes per axis, 0.3 g(rms) Random vibration 5 to 500 Hz, 10 minutes per axis, 2.41 g(rms); resonant search, 5 to 500 Hz swept sine, 1 Octave/minute sweep rate, 0.75 g, 5 minute resonant dwell at 4 resonances/axis
non-operating		
Power Requirements		
voltage		90 to 132 or 198 to 264 Vac, 48 to 66 Hz
power		1200 VA; 650 W
Model Number		HP 54750A
Weight		
approx. net weight		23.6 kg (53 lbs)
approx. ship weight		33.6 kg (74 lbs)
Dimensions		
(see next page)		Dimensions are for general information only. If greater accuracy is required, contact your HP field engineer.

General Information
Environmental Conditions



HP 54750A Dimensions

Recommended Test Equipment

The following table is a list of the test equipment required to test performance, calibrate and adjust, and troubleshoot this instrument. The table indicates the critical specification of the test equipment and for which procedure the equipment is necessary. Equipment other than the recommended model may be used if it satisfies the critical specification listed in the table.

Recommended Test Equipment

Equipment Required	Critical Specifications	Recommended Model	Use *
Plug-in Module	HP 54750 series or HP 83480 series with electrical input	HP 54751A or HP 83483A	P, C, T
Signal Generator	20 GHz, -25 dBc harmonics, +6 dBm output power stability 0.25 ppm/yr, with 10 MHz reference output	HP 8664A	P, C, T
Synthesizer/Function generator	10 MHz square wave, 120 mV output, stability 0.05 ppm/yr	HP 3325B Opt 001	P, C, T
RF Amplifier	22 dB gain at 10 MHz, 1.3 GHz bandwidth	HP 8447D/E/F	P, C
DMM	6 1/2 digit, 0.1 mV resolution dc voltage accuracy 0.05%	HP 34401A	P, T
Attenuator	6 dB, 3.5 mm connectors	HP 8490C Opt 6 or HP 33340C Opt 6	P
Attenuator	20 dB, 3.5 mm connectors	HP 8490C Opt.20 or HP 33340C Opt 20	P
Power Splitter	3.5 mm connectors, 10 GHz bandwidth	HP 11667B	P, T
Adapter (2)	3.5 mm (m-f)	HP 1250-1866	P, C, T
Adapter	N (m) to SMA (f)	HP 1250-1250	P, C, T
Adapter	BNC (f) to SMA (m)	HP 1250-1200	P, C, T
Adapter	3.5 mm (f-f) precise one end	HP 5061-5311	P, C, T
Adapter	BNC (f) to dual banana (m)	HP 1250-2277	P
Adapter	SMA (m-m)	HP 1250-1159	P
Cable (3)	SMA (m-m) 36 inch	HP 8120-4948	P, C, T
Cable	BNC, 12 inch	HP 8120-1838	C
Cable (2)	BNC, 48 inch	HP 10503A	P, C, T

* P = Performance Tests, C = Calibration and adjustment, T = Troubleshooting

Setting up the instrument 2-3
To inspect the instrument 2-3
To check power requirements 2-3
To set the line voltage selection 2-3
To install a plug-in 2-4
To clean the instrument 2-4



Preparing for Use

This chapter shows you how to prepare the instrument for use. It references the routines necessary to establish calibration levels.

The following areas are covered in this chapter.

- Inspection
- Setup
- Cleaning

Setting up the instrument

When ordered as a system, the mainframe is shipped from Hewlett-Packard ready to use, with the plug-ins installed and calibrations done. However, if you ordered additional plug-ins and you want to change the instrument configuration, this section will help you get the instrument ready to use.

To inspect the instrument

- Inspect the shipping container for damage.

Keep a damaged shipping container or cushioning material until the contents of the shipment have been checked for completeness and the instrument has been checked mechanically and electrically.

- Check the accessories.

Accessories supplied are listed in chapter 1 of this Service Guide.

- If the contents are incomplete or damaged notify your HP sales office.

- Inspect the instrument.

- If there is mechanical damage or defect, or if the instrument does not operate properly or pass performance tests, notify your HP sales office.
- If the shipping container is damaged, or the cushioning materials show signs of stress, notify the carrier as well as your HP sales office. Keep the shipping materials for the carrier's inspection. The HP office will arrange for repair or replacement at Hewlett-Packard's option without waiting for claim settlement.

To check power requirements

The instrument requires a power source of 90 to 132 Vac or 198 to 264 Vac, 48 to 66 Hz, 1200 VA or 650 W maximum.

CAUTION

BEFORE CONNECTING POWER TO THIS INSTRUMENT, be sure the line voltage switch on the rear panel of the instrument is set properly. Applying a voltage excessive to the setting may open the protective fuse.

To set the line voltage selection

Before applying power, verify the setting of the LINE SELECT switch on the rear panel.

- If the switch is set incorrectly, set it to either 115 V or 230 V, whichever is appropriate for the voltage in your area.

To change the selection, remove the line voltage switch cover, turn it 180 degrees and reinstall it. The switch will change when the cover is installed.

CAUTION

Use the correct fuse in this instrument. The fuse requirement is different for 100 V, 115 V, and 230 V operation. The instrument was shipped with the line voltage selection and fuse appropriate for the country of destination. If you change the line voltage selection, you will need to change the fuse or the fuse may not protect the instrument properly.

For size, type, and part number of the fuse, see the parts list in chapter 7, "Replaceable Parts."

WARNING



SHOCK HAZARD!

BEFORE YOU CONNECT THIS INSTRUMENT TO MAINS POWER OR LIVE MEASURING CIRCUITS, you must provide a protective earth ground. The Mains plug must be inserted in a socket outlet provided with a protective earth contact. Do not use an extension cord (power cable) without a protective conductor (grounding). Grounding one conductor of a two-conductor outlet does not provide an instrument ground. Failure to provide a protective earth ground could result in a shock hazard if there is a failure in this instrument or equipment connected to it.

CAUTION

Be sure to use the mains power cable provided with this instrument. For shipments to Japan, this instrument is supplied with a heavy duty power cable. At lower mains voltages (approximately 90 to 100 Vac) the increased mains current will cause increased loss and therefore overheating in a standard power cable. Overheating of the power cable could cause failure of the cable and fire.

Three-wire power cables

This instrument is provided with a three-wire power cable. When connected to an appropriate ac power outlet, this cable grounds the instrument cabinet. The type of power cable plug shipped with the instrument depends on the country of destination.

To install a plug-in

Plug-ins may be removed and installed without turning off the instrument.

- 1 Install the plug-in into slot 1-2 or slot 3-4 of the mainframe.
- 2 If the plug-in needs calibration, see "To calibrate the plug-ins" in chapter 4 of the plug-in Service Guide.
- 3 If you are using a probe or other attenuation device with your plug-in, you can do a probe calibration.

Press the Channel key, press **Calibrate** softkey, then press **Calibrate Probe** softkey and follow the instructions on the screen.

See Also

"Calibration Overview" in chapter 4 of the respective plug-in Service Guide.

To clean the instrument

To clean the instrument, use a soft cloth, damp with a mild soap and water solution.

To test the front panel CAL signal 3-4
To test time interval accuracy 3-5
To test trigger sensitivity 3-8

Testing Performance

The procedures in this chapter test the instrument's electrical performance using performance specifications given in chapter 1 as performance standards. Specifications applicable to individual tests are noted at the test for reference.

Testing Interval

The performance test procedures may be performed for incoming inspection of the instrument and should be performed periodically thereafter to ensure and maintain peak performance. The recommended test interval is yearly or every 2,000 hours of operation. Amount of use, environmental conditions, and your experience concerning the need for testing will contribute to verification requirements.

See Also

The calibration interval is covered in chapter 4 "Calibrating and Adjusting."

Equipment Required

A complete list of equipment required for the performance tests is in the Recommended Test Equipment table in chapter 1. Equipment required for individual tests is listed in the test. Any equipment satisfying the critical specifications listed may be substituted for the recommended model.

Test Record

You may record the results of the performance tests in the Performance Test Record provided at the end of this chapter. The Performance Test Record lists the performance tests and provides an area to mark test results. You can use the results recorded in the table at incoming inspection for later comparisons of the tests during periodic maintenance, troubleshooting, and after repairs or adjustments.

Operating Hints

Some knowledge of operating the instrument is helpful; however, these procedures are written so that little experience is necessary. If you would like more help operating the instrument, you can refer to the User's Guide that was supplied with the instrument. The following hints about clearing the display and averaging will speed progress of the testing.

Clear Display

When using many averages, it often takes awhile for a waveform display to stabilize after a change. When a control on the instrument is changed, averaging automatically restarts. When just the input signal is changed, the instrument must average new data with the old so it can take a long time for the waveform to stabilize. Pressing the Clear Display key while changing input signals will restart averaging and give a quick indication of the result of the signal change.

Averaging

Averaging is used to ensure a stable signal for measurements. It is not necessary to wait for complete stability of the signal (averaging complete), as long as the measurement is well within the limits of the test. Averaging is only suitable for repetitive waveforms and cannot be used with multi-value waveforms.

Keystroke Conventions

To guide you while setting up the instrument, the following conventions are used to represent keystrokes and other interactions with the instrument.

When you need to press a front-panel key (also called a hardkey), you will be instructed to press a specific key. For example, press the Time base key.

Bold text, such as **Display** or **Calibrate...**, represents text on the CRT screen and may be a softkey you should press or a selection you should make. For example, press the **Scale** softkey, and use the knob to set the scale to **1 ns/div**.

The blue key that has no writing on it is the shift key. It allows you access to the functions written in blue above some of the front-panel keys. For example, press the blue shift key, then press the Limit test key.

Performance Test Procedures

Performance test procedures start with the next paragraph. Procedures may be done individually and in any order.

CAUTION

Allow the instrument to warm up for at least 60 minutes prior to beginning the performance tests. Failure to allow warm-up may cause the instrument to fail the tests.

To test the front panel CAL signal

This procedure is used to test the accuracy of the front-panel calibration signal.

Specification

Output delta voltage accuracy -2.5 V to +2.5 V (into 50 Ω), Accuracy $\pm 0.2\%$ of delta voltage output

Equipment Required

Equipment	Critical Specifications	Recommended Model/Part
DMM	6 1/2 digit, 0.1mV resolution, dc accuracy 0.05% or better	HP 34401A
Cable	BNC	HP 10503A
Adapter	BNC (f) to dual banana (m)	HP 1251-2277

- 1 Set up the DMM to measure DC volts and use the cable and adapter to connect the DMM to the front-panel CAL output.
- 2 Press the Utility key, press the **Calibrate...** softkey, then press the **Level** softkey.
- 3 Using either the keypad or the knob, enter 2.5 V and record the first reading.
_____ Vdc
- 4 Using either the keypad or the knob, enter -2.5 V and record the second reading.
_____ Vdc
- 5 Subtract the second reading from the first reading, then divide the result by 5.

For example: if the first reading is +2.498 V and the second reading is -2.497 V, then

$$\frac{+2.498\text{ V} - (-2.497\text{ V})}{5\text{ V}} = 0.999 \text{ (which is within specifications).}$$

The final result should be between 0.998 and 1.002. Record the result in the Performance Test Record at the end of this chapter.

To test time interval accuracy

This tests the accuracy of the combined mainframe and plug-in circuitry. If this performance test fails, redo the mainframe calibration and the plug-in software calibration.

Specifications

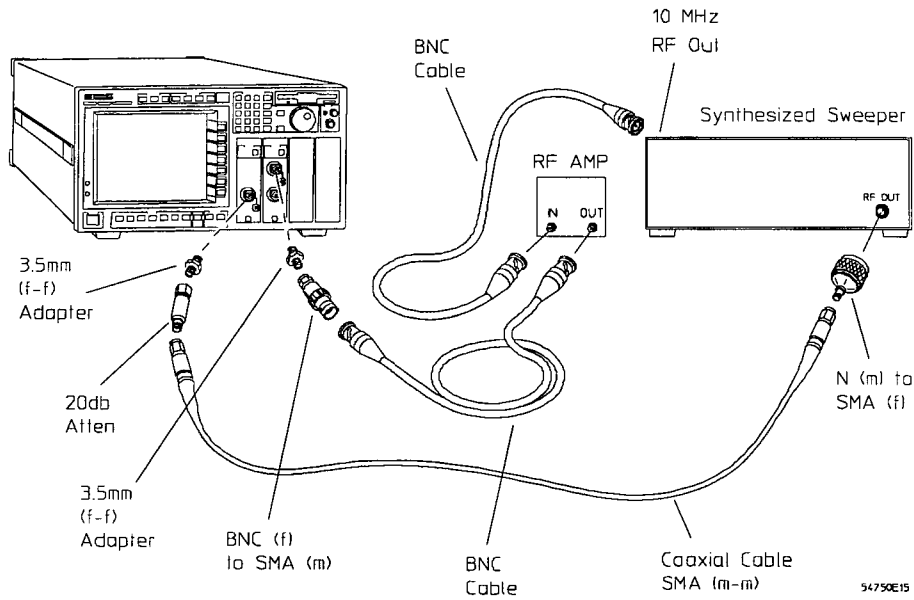
Time interval accuracy 8 ps \pm 0.1% of reading

Equipment Required

Equipment	Critical Specifications	Recommended Model/Part
Plug-in Module	HP 54750 series or HP 83480 series with electrical input	HP 54751A or HP 83483A
Synthesized sweeper	20 GHz, -25 dBc harmonics, output +6 dBm, stability 0.25 ppm/yr	HP 8341A/B or HP 8360 Series
Frequency synthesizer	10 MHz square wave, 120 mV output, frequency stability 5×10^{-6} , aging rate 5×10^{-8} /week	HP 3325B opt 001
20 dB pad	3.5 mm connections	HP 33340C/020
RF amplifier	Gain 20 dB at 10 MHz, flatness ± 0.7 dB, harmonic distortion -32 dB, for 0 dB output, noise 6 dB, 1.3 GHz	HP 8447D/E/F
Adapter	BNC (f) to SMA (m), 2 needed	HP 1250-1200
Adapter	N (m) to SMA (f) (m)	HP 1250-1250
Adapter	3.5 mm (m-f), precise both ends, 26.5 GHz	HP 1250-1866
Adapter	3.5 mm (m-f), male end precise, 26.5 GHz, 2 needed	HP 1250-1866
Coaxial cable	SMA (m-m), 26.5 GHz	HP 8120-4948
BNC cable (2)	48 inches	HP 10503A

Testing Performance
To test time interval accuracy

1 Connect the equipment as shown below.



2 Set up the sweeper to the following settings.

Synthesized Sweeper
Mode Sine wave
Frequency 19.98 GHz
Amplitude +6 dBm

- 3** Press the Storage Setup key, then press the **Default setup** softkey.
- 4** Press the channel 2 Setup key, then set the **Display** softkey to **off**.
- 5** Press the channel 1 Setup key, then change the **Scale** to **20 mV/div**.
- 6** Press the Time base key, then change the **Scale** to **10 ps/div**.
- 7** Press the Acquisition key, set the **Averaging** softkey to **on**, then set the **# of averages** to **64**.
- 8** Press the blue shift key, press the **Period** key, set the **Period** softkey to **channel 1**, then press the **Enter** softkey.
- 9** Press the Time base key, then check the period at the following **Position** settings.

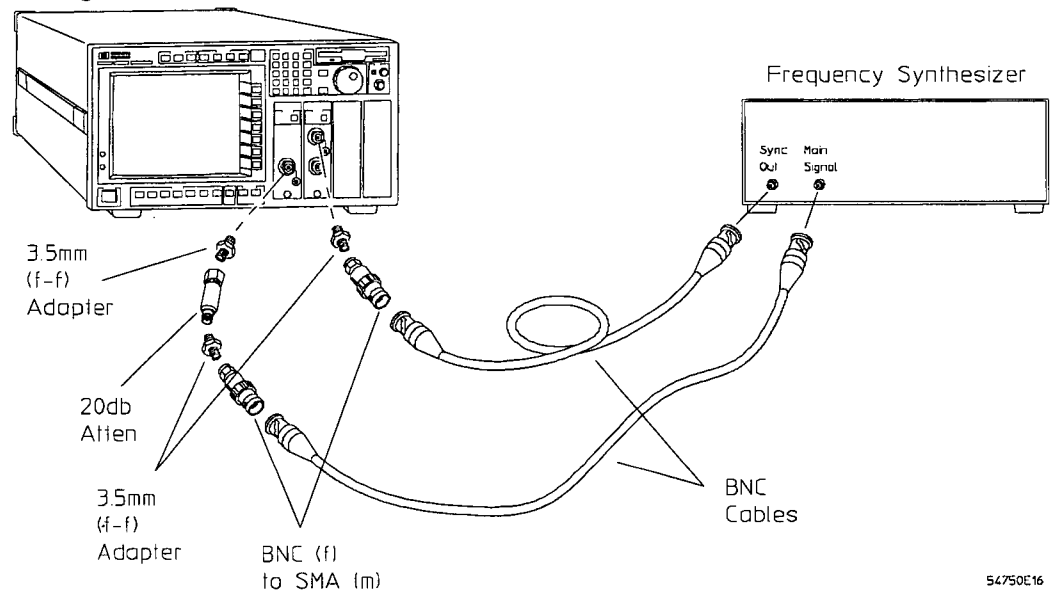
Position setting	Period test limits
22 ns	50 ps ±8.1 ps
25.95 ns	50 ps ±8.1 ps
33.95 ns	50 ps ±8.1 ps
57.95 ns	50 ps ±8.1 ps

- 10** Set the **Position** softkey to **22 ns**.
- 11** Press the channel 1 Setup key, then set the **Bandwidth** softkey to **12.4 GHz**.

12 Press the Time base key, then check the period at the following Sweeper and Scale settings.

Scale setting	Sweeper setting	Period test limits
50 ps/div	10 GHz	100 ps \pm 8.1 ps
100 ps/div	5 GHz	200 ps \pm 8.2 ps
200 ps/div	2 GHz	500 ps \pm 8.5 ps
500 ps/div	1 GHz	1 ns \pm 9 ps
1 ns/div	500 MHz	2 ns \pm 10 ps
2 ns	200 MHz	5 ns \pm 13 ps
5 ns/div	100 MHz	10 ns \pm 18 ps
10 ns/div	50 MHz	20 ns \pm 28 ps
20 ns/div	20 MHz	50 ns \pm 58 ps

13 Change the equipment connections as shown below.



54750E16

14 Set up the frequency synthesizer to the following settings.

Frequency Synthesizer	
Mode	Square wave
Frequency	10 MHz
Amplitude	1.2 V _{p-p}

15 Press the Time base key, then change the Scale to 20 ns/div.

16 Press the Trigger key, then change the Level to 500 mV.

17 Press the Time base key, then check the period at the following synthesizer and scale settings.

Scale setting	Synthesizer setting	Period test limits
20 ns/div	10 MHz	100 ns \pm 108 ps
50 ns/div	5 MHz	200 ns \pm 208 ps
100 ns/div	2 MHz	500 ns \pm 508 ps
200 ns/div	1 MHz	1 μ s \pm 1.01 ns
500 ns/div	500 kHz	2 μ s \pm 2.01 ns
1.0 μ s/div	200 kHz	5 μ s \pm 5.01 ns
2.0 μ s/div	100 kHz	10 μ s \pm 10.01 ns
5 μ s/div	50 kHz	20 μ s \pm 20.01 ns
10 μ s/div	20 kHz	50 μ s \pm 50.01 ns
20 μ s/div	10 kHz	100 μ s \pm 100.01 ns

To test trigger sensitivity

The sensitivity test measures the high and low frequency trigger sensitivities by applying a 100 MHz sine wave and a 2.5 GHz sine wave. If the oscilloscope triggers at 2.5 GHz, it will also trigger on a 200 ps pulse width at 200 mV.

The jitter test measures the oscilloscope's internal jitter on a 2.5 GHz sine wave. The instrument's jitter is less with fast rise time input signals. If a generator is substituted, careful consideration of the generator's horizontal jitter and vertical noise is important.

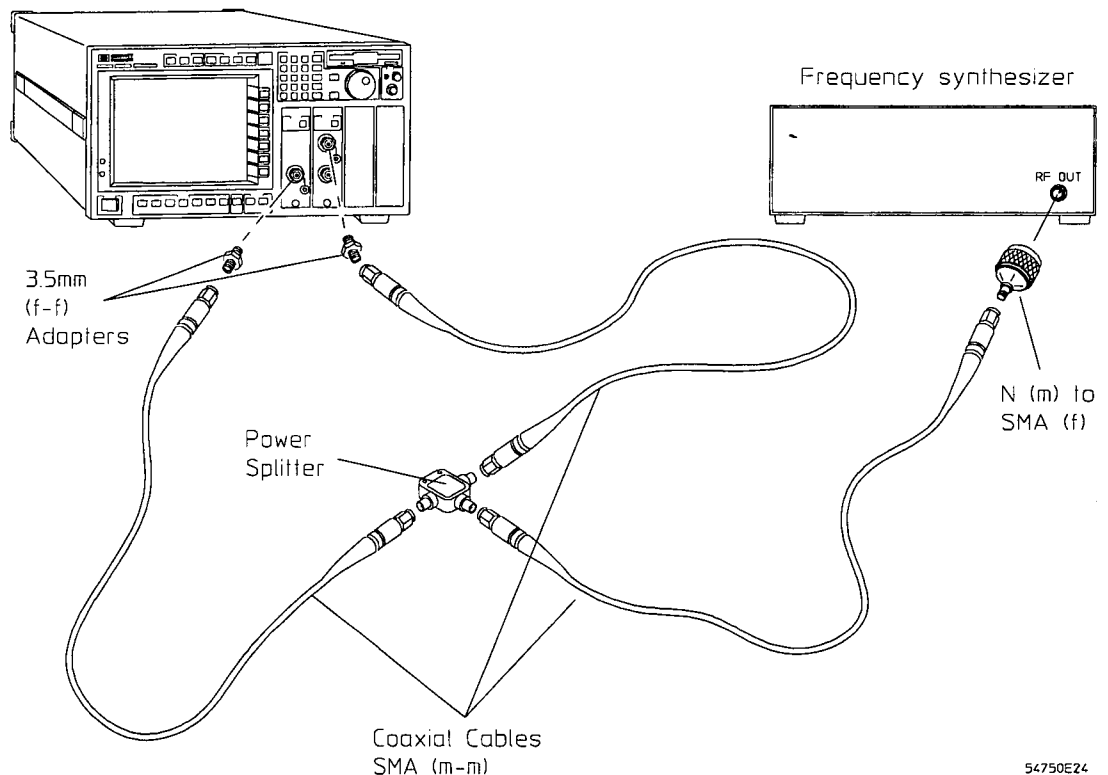
Specifications:

Sensitivity: dc to 100 MHz, 40 mV peak-to-peak, increasing linearly to 200 mV peak-to-peak at 2.5 GHz Jitter: Trigger and time base combined (one standard deviation)

2.5 ps + 5E-5 delay setting. Testing using 2.5 GHz synthesized source at 200 mVp-p with Hysteresis at high sensitivity and BW limit off.

Equipment required

Equipment	Critical Specifications	Recommended Model/Part
Plug-in module	HP 54571 series or HP 83480 series with electrical input	HP 54571A or HP 83480A
Synthesized sweeper	2.5 GHz, +6 dBm	HP 8360 / 8340 series
Frequency synthesizer	100 kHz sine wave, 200 mVp-p	HP 3325B
Power splitter	10 GHz bandwidth, APC 3.5 connectors	HP 11667B
Delay line	22 ns, 6 dB attenuation at 2 GHz	HP 54008A
Attenuator	6 dB, APC 3.5 connectors	HP 8490C/opt 6, or HP 33340C/opt 6
Adapter	N(m) to SMA(f)	1250-1250
Adapter (3)	APC 3.5 (m-f)	1250-1866
Adapter	SMA(m) to BNC(f)	1250-1200
Adapter	SMA(f-f)	1250-1159
Adapters	APC 3.5 (m-f) precise both ends	HP 1250-1866
Adapter	Precise SMA, 26.5 GHz	HP 54007-61604
Coaxial cables (3)	SMA (m-m), 18 GHz	HP 8120-4948
BNC Cable	48 inches	HP 10503A



Low frequency trigger hysteresis

On this test, a 100 kHz, 100 mVp-p signal is connected to Channel 1 and the Trigger inputs through a power splitter. The trigger level is adjusted positive and negative until it stops triggering. These positive and negative values are subtracted from the 100 mVp-p to give the trigger hysteresis value. The value should be ≤ 40 mV

- 1 Press the Setup key, then press the **Default setup** softkey.
- 2 Turn off channel 2.
- 3 Press left channel Setup key, then set the **Scale** softkey to **20 mV/div**.
- 4 Press the Time base and set the **scale** softkey to **1 μ s/div**.
- 5 Press the Acquisition key, then set the **Averaging** softkey to **on**.
- 5 Connect equipment as shown in the diagram and connect the frequency synthesizer to the power splitter.
- 6 Set the frequency synthesizer for 100 kHz. Adjust the amplitude until the screen shows 100 mVp-p ± 1 mV. Use the Measure Vp-p to measure the amplitude. $\approx 234\text{mVp-p}$
- 7 Press the Trigger key, then adjust the **Level** up until it just stops triggering as indicated by the Triggered LED going out.

Note the trigger Level, this is Vpos. Vpos = _____.

- 8 Return the trigger Level to 0 V, then slowly adjust the trigger Level less than 0 V until the system stops triggering.

This is Vneg. Vneg = _____.

Calculate the hysteresis. $V_{\text{hysteresis}} = 100 \text{ mV} - (V_{\text{pos}} - V_{\text{neg}})$. The value should be ≤ 40 mV.

100 MHz / 2.5 GHz trigger sensitivity

On these tests, the 100 MHz and 2.5 GHz signals are used. The trigger level is adjusted positive and negative as in the preceding test. The values for the respective frequencies should respectively be ≤ 40 mV and ≤ 200 mV.

- 9 Press the **Trigger** key, then set the **Level1** softkey to 0 v. Press the **Time base** key, then set the **Scale** softkey to 2 ns/div.
- 10 Connect the synthesized sweeper to the power splitter and adjust the sweeper to 100 MHz. Adjust the amplitude to 150 mVp-p ± 1 mV on screen. ≈ -4.8 dbm
- 11 Slowly adjust the trigger Level greater than 0 V until the oscilloscope just stops triggering.
This is Vpos. Vpos = _____.
- 12 Return the trigger Level to 0 V. Slowly adjust the trigger Level less than 0 V until the system just stops triggering.
This is Vneg. Vneg = _____.
Calculate the sensitivity. Vsense = 150 mV - (Vpos - Vneg). This value should be ≤ 40 mV.
- 13 Return the trigger Level to 0 V, press the **Hysteresis** softkey select **high sensitivity** from the drop-down menu, then press the **Enter** softkey. Press the **Time base** key, then set the **scale** softkey to 100 ps/div. Press the **Channel setup** key, then set the **scale** softkey to 50 mV/div.
- 14 Change the sweeper frequency to 2.5 GHz and adjust the amplitude until the Vp-p reading is 200 mV ± 2 mV. ≈ -2.3 dbm
- 15 Press the **Trigger** key, then adjust the Level above 0 V until the system stops triggering.
This is Vpos. Vpos = _____.
- 16 Return the **Level1** softkey to 0 V. Slowly adjust the trigger the Level less than 0 V until the system stops triggering.
This is Vneg. Vneg = _____.
Calculate the sensitivity. Vsense = 200 mV - (Vpos - Vneg). This value should be ≤ 200 mV.

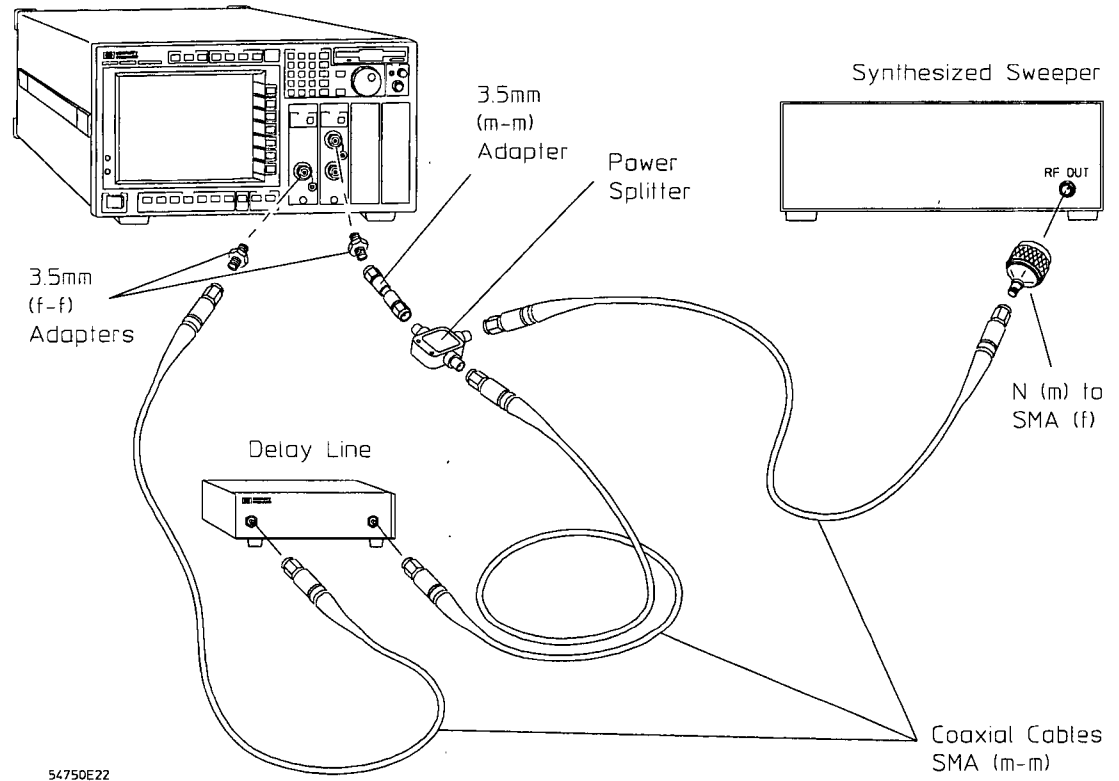
Jitter Test

On this test, the signal generator is set to 2.5 GHz at 200 mVp-p. A delay line is added to delay the trigger point so it occurs on screen. Then the jitter is measured on the trigger edge to cancel out any sweeper-caused jitter.

17 Leave the sweeper frequency at 2.5 GHz. The amplitude should be set to 200 mV/div.

18 Add the delay line as shown in the diagram below.

$\approx -2.2 \text{ dbm}$



19 Press the Time base key, then set the **Scale** softkey to 500 ps/div. Set the **Reference** softkey to center, and the **Position** softkey (delay) to 22 ns.

20 Slightly change the sweeper frequency, then select the trigger point on the waveform.

It is helpful to put the system in infinite persistence to determine where the trigger point is. The trigger point on the waveform is the part of the waveform that does not expand or contract as the frequency is varied. When you find this edge on the waveform, turn on the markers to mark the trigger edge, next change the **Position** softkey setting in the time base menu to center this on screen. Change the **Reference** to Center.

21 Press the Time base key, set the **Scale** softkey to 200 ps/div, then set the **Position** softkey to the Marker value.

Position setting = _____ ns.

22 Adjust the **Position** softkey setting to center the positive edge of the waveform to the center of the screen. Change **Scale** softkey setting to 10 ps/div.

23 Press the Channel Setup key, then set the **Scale** softkey to 5 mV/div.

Testing Performance
To test trigger sensitivity

- 24 Press blue Shift key, press Histogram key, press **Mode** softkey to highlight waveform, press **Histogram window** softkey, and verify that the **Scale source** is channel 1. Adjust **x1 position** softkey setting to be at the left side of the screen. Adjust **x2 position** softkey setting to be on the right side of the screen. Set Y1 to 300 μV and Y2 to $-300 \mu\text{V}$. Press the Clear display key.
- 25 The std dev (standard deviation) value should read $\leq 2.5 \text{ ps} + (5\text{E-}5 \text{ position (delay) setting from step 24})$. Example for delay setting of 21.5 ns: $\leq 2.5 \text{ ps} + [(5 \times 10^{-5}) \times (21.5 \times 10^{-9})] = \leq 2.5 \text{ ps} + 1.075 \text{ ps} \leq 3.575 \text{ ps}$.

Failure of the trigger tests can be caused by the plug-in interconnections on the rear panel or the Time base and Acquisition board in the mainframe. Refer to chapter 5, "Troubleshooting" for more information.

Performance Test Record



HP 54750A Digitizing Oscilloscope

Serial No. _____
 Recommended Test Interval - 1 Year/2000 hours
 Recommended next testing _____

Tested by _____
 Work Order No. _____
 Date _____
 Temperature _____

Test		Minimum	Actual	Maximum	
CAL Accuracy		0.998	_____	1.002	
Time Interval Accuracy	Delay Setting	22 ns	41.95 ps	_____	58.05 ps
		25.95 ns	41.95 ps	_____	58.05 ps
		33.95 ns	41.95 ps	_____	58.05 ps
		57.95 ns	41.95 ps	_____	58.05 ps
	Frequency	10 GHz	91.9 ps	_____	108.1 ps
		5 GHz	191.8 ps	_____	208.2 ps
		2 GHz	491.5 ps	_____	508.5 ps
		1 GHz	0.9910 ns	_____	1.009 ns
		500 MHz	1.99 ns	_____	2.010 ns
		200 MHz	4.987 ns	_____	5.013 ns
		100 MHz	9.982 ns	_____	10.018 ns
		50 MHz	19.972 ns	_____	20.028 ns
		20 MHz	49.942 ns	_____	50.06 ns
		10 MHz	99.89 ns	_____	100.11 ns
		5 MHz	199.79 ns	_____	200.21 ns
		2 MHz	499.49 ns	_____	500.51 ns
		1 MHz	0.99899 μ s	_____	1.00101 μ s
		500 kHz	1.99799 μ s	_____	2.00201 μ s
		200 kHz	4.99499 μ s	_____	5.00501 μ s
		100 kHz	9.98999 μ s	_____	10.01001 μ s
50 kHz	19.980 μ s	_____	20.02001 μ s		
20 kHz	49.950 μ s	_____	50.05001 μ s		
10 kHz	99.900 μ s	_____	100.10001 μ s		
Trigger	Trigger hysteresis	Vhyst	_____	40 mV	
	100 MHz trigger sense	Vsense	_____	40 mV	
	2.5 GHz trigger sense	Vsense	_____	200 mV	
Jitter			_____	(see specifications)	

Example: <3.575 ps with 21.5 ps delay setting

Calibrating the instrument 4-3

Calibration Overview 4-3

Calibration Interval 4-4

Calibration Status Displays 4-5

To calibrate the time base 4-7

To calibrate the plug-ins 4-9

Adjusting the Color CRT Module 4-10

To prepare the instrument 4-10

To adjust geometry 4-12

To adjust focus, landing, and convergence 4-13

To adjust white balance 4-20

Calibrating and Adjusting

Calibration of the instrument is a semiautomatic calibration because an external signal generator is required. The only hardware adjustment is accessed through a hole in the bottom of the mainframe. The remainder of the adjustments are DAC adjustments done by software and by the front-panel knob. The adjustment for the color display is done only if the display needs correction.

Equipment Required

Equipment required for these procedures is listed in the Recommended Test Equipment table in chapter 1 of this book. Any equipment that satisfies the critical specification listed in the table may be substituted for the recommended model. Equipment for individual procedures is listed in the procedure.

Keystroke Conventions

To guide you while setting up the instrument, the following conventions are used to represent keystrokes and other interactions with the instrument.

When you need to press a front-panel key (also called a hardkey), you will be instructed to press a specific key. For example, press the Time base key.

Bold text, such as **Display** or **Calibrate...**, represents text on the CRT screen and may be a softkey you press or a selection you make. For example, press the **Scale** softkey, then use the knob to set the scale to **1 ns/div**.

The blue key that has no writing on it is a shift key. It allows you access to the functions written in blue above some of the front-panel keys. For example, press the blue shift key, then press the Limit test key.

Plug-in Numbering

Plug-in slots are numbered from left to right. An empty mainframe slot counts as if it were occupied by a plug-in.

Calibrating the instrument

With exceptions noted where they apply, this section includes procedures needed to calibrate the mainframe with plug-ins. Plug-in calibration is part of the Service Guide for each plug-in. Because the prompts on the display direct the calibration details, the procedures in this section apply to all plug-ins.

Some plug-ins may require adjustment after certain repairs. See the plug-in Service Guide for the procedures to do after repairs.

Calibration Overview

This section briefly explains the calibration of the instrument. It is intended to provide an understanding of available calibrations and how to use them. Calibration is accomplished by using three calibration procedures:

- Frame calibration
- Plug-in calibration
- Probe calibration

Frame Calibration Frame calibration allows the instrument to establish calibration factors for the time base, trigger, and mainframe's calibrator. These calibration factors are stored in nonvolatile RAM in the mainframe. These factors are protected by a switch that allows the calibration to be enabled or disabled. This switch can be accessed through a hole in the rear panel of the mainframe. See "To calibrate the time base" for additional information.

Plug-in Calibration Plug-in calibration allows the instrument to establish the vertical calibration factors for a particular plug-in in a particular mainframe slot that it is calibrated in. Plug-in vertical specifications only apply when the plug-in is used in the mainframe slot it was calibrated in. Typically, however, once a plug-in has been calibrated in any slot, it will meet specifications in any other mainframe slot.

For optimum measurements, it is recommended that the instrument user perform the plug-in calibration regularly. Especially if the operating temperature has changed over 5 deg C since the last plug-in cal. The plug-in calibration just takes about two minutes per channel. See Calibration Interval for the warm-up time.

A switch in the plug-in is used to enable or disable plug-in calibration. The plug-in side cover must be removed to gain access to the switch. Normally this switch is set in the unprotected (enabled) position so the instrument user can do the plug-in calibration periodically.

To calibrate a plug-in, refer to the respective plug-in Service Guide.

See Also

"Calibration Status Displays" in this chapter, to check the instrument temperature change.

Probe Calibration

Probe calibration allows the instrument to establish the gain and offset of a probe and apply those factors to the calibration of the channel that probe is connected to.

For active probes that the instrument can identify through the probe power connector, such as the HP 54701A, the instrument automatically adjusts the vertical scale factors for that channel, even if a probe calibration is not done. For passive probes or other unidentified probes, the instrument adjusts the vertical scale factors only if a probe calibration is done. Without a probe calibration, the probe attenuation factor can be entered manually, through the menus.

If a probe being calibrated has an attenuation that will allow the instrument to adjust its gain (in hardware) to produce even steps in the vertical scale factors, the instrument will do so. If the probe being calibrated has an unusual attenuation (such as 3.75), the instrument may have to adjust the vertical scale factors to an unusual number (375 mV/div). Typically probes have standard attenuation factors, such as +10, +20, or +100.

Calibration Interval

Calibration is required under any of the following conditions:

- Yearly or every 2,000 hours of operation.
- If the instrument temperature is more than 5° C different than the temperature when the last calibration was done.
- If you have replaced one of the following assemblies.
 - CPU assembly (calibration factors are stored on the CPU assembly)
 - Time base and acquisition assembly

CAUTION

Warm up the instrument for at least 60 minutes before starting these procedures. Failure to achieve a stable temperature before calibration may result in temperature shifts that void the calibration. For temperature and electrical stability, all calibration must be done with the rear panel and all rear panel hardware installed.

Calibration Status Displays

The calibration status displays show the current calibration status of the mainframe and plug-ins. There are two displays, one through the Utility menu and one specifically for each plug-in through the channel setup menu.

The display of the calibration status is updated only when the Cal status display is entered.

Frame Calibration Status

The following figure shows the display, and the table explains the features. This display also shows an abbreviated version of the plug-in status. To enter this display, press the Utility key, press the **Calibrate...** softkey, then set the **Cal status** softkey to **on**.

The screenshot shows the following information:

```

Current Frame ΔTemp : -3°C
                    : Frame
Calibration Status  : Calibrated
Last Calibration   : 9 FEB 94 11:53
Calibration Memory : Protected

Other Calibration Status : Passed
Comments:

Plug-ins
-----
Slot Model Memory Date Last Calibration Accuracy ΔTemp
1 83483A Protected 3 MAY 94 15:28 Calibrated
2
3 83483A Protected 3 MAY 94 15:28 Calibrated
4
    
```

On the right side of the display, there are several softkey menus:

- Calibrate**
 - Calibrate plug-in...
 - Calibrate frame
- Samplers**
 - disabled enabled
- Cal status**
 - off on
- Level**
 - 0.0 U
- Exit**

Frame Calibration Status

Frame:

Current Frame ΔTemp Displays the current internal temperature of the instrument compared to the temperature at which the frame was calibrated, in increments of one degree Celsius. Calibrated or Uncalibrated.

Calibration Status Displays the date and time of the last frame calibration.

Last Calibration Shows the setting of the Frame cal memory protect switch.

Calibration Memory Displays Passed, Failed, or Calibrating

Other Calibration Status This area is for text which can be programmed over the HP-IB. See "Calibrate Subsystem" in the Programmers Reference supplied with the mainframe.

Comments

Plug-ins

Slot The front panel plug-in position.

Model The model number of the plug-in currently in the slot. Unfilled slots register "empty." If the mainframe does not recognize the plug-in, "~known" is displayed instead of the model number. If "~known" is displayed, refer to the User's Reference for the plug-in.

Memory Shows the status of the calibration switch in the plug-in.

- When calibration is disabled, Protected is displayed.
- When calibration is enabled, Unprotected is displayed.

Date The date the plug-in was calibrated.

Time The time the plug-in was calibrated.

Accuracy This shows the plug-in calibration status, Uncalibrated or Calibrated.

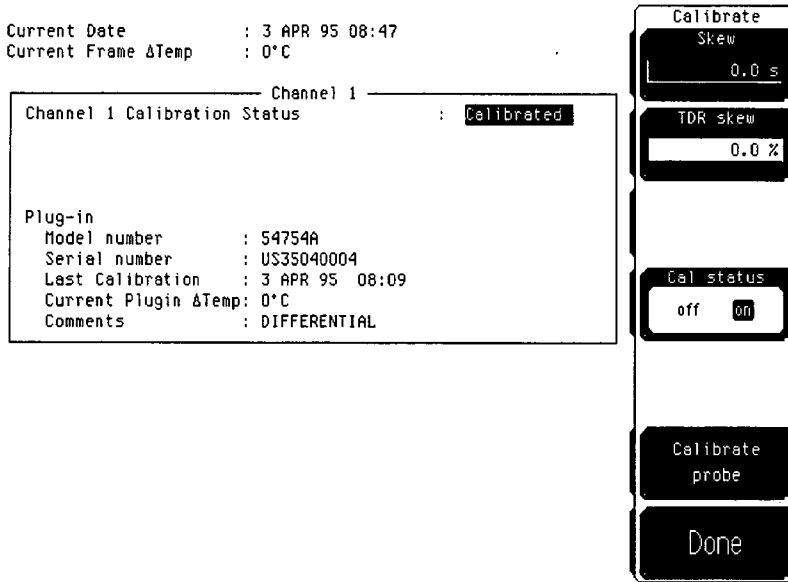
Δ Temp The change in temperature since the plug-in was last calibrated.

**Calibrating and Adjusting
Calibration Status Displays**

Plug-in Calibration Status

The following figure shows the plug-in calibration status display and the table explains the features.

To enter this display, press the Channel Setup key, press the **Calibrate...** softkey, then set the **Cal status** softkey to on.



Plug-in Calibration Status

Current Date	Date and time reflected by the internal clock.
Current Frame ΔTemp	The current internal temperature of the instrument compared to the temperature at which the frame was calibrated, in increments of one degree Celsius.
Channel X Calibration Status	Displays uncalibrated or calibrated.
Plug-in	Shows other relevant plug-in data. The model number is derived from a hardware identification on the PC board. The serial number is set through the Utility Service menu. Last calibration is the date and time of the last calibration. The current internal temperature of the plug-in compared to the temperature at which the plug-in was calibrated, in increments of one degree Celsius..

To calibrate the time base

Calibration by the instrument firmware is a semiautomatic calibration in that external equipment is required. The screen prompts you to connect the equipment as needed. Specific waveform characteristics needed for this calibration are also included in this section.

Equipment Required

Equipment	Critical Specifications	Recommended Model/Part
Plug-in	HP 54750 series or HP 83480 series with electrical input	HP 54751A or HP 83483A
Signal Generator	500 MHz, 2 GHz, with 10 MHz reference output	HP 8360 series or HP 8340 series
RF Amplifier	22 dB Gain at 10 MHz, 1.3 GHz bandwidth	HP 8447D/E/F
Attenuator	6 dB, BNC	HP 8490C Opt 6 or HP 33340C Opt 6
Cables	BNC, 48-inch, 3 needed	HP 10502A

If the calibration process is canceled, the previous calibration factors are retained.

CAUTION

Warm up the instrument and plug-in for at least 60 minutes before starting these procedures. Failure to achieve a stable temperature before calibration may result in temperature shifts that void the calibration. For temperature and electrical stability, all calibration must be done with the rear panel and all rear panel hardware installed.

Signal generator waveform characteristics

The firmware prompts you to refer to the manual for additional information on the kind of signal needed to calibrate the time base, which is a -14 dBm (120 mV pp) 500 MHz sine wave. The trigger input of the plug-in module needs to be driven from the 10 MHz reference output of the signal generator. Unless the 10 MHz reference output meets the following specifications, the reference signal needs to be amplified to be used for the calibration.

Trigger signal specifications

Amplitude of 2 Vpp to 4 Vpp (centered around zero)

Rise time & fall time ≥ 3 ns (Note: t_r and t_f of 10 MHz sine wave is about 30 ns)

Jitter of 2 GHz sine wave on channel 2 of the analyzer should be less than 7 ps rms (42 ps pp)

One equipment setup that meets this specification is an HP 8340/41/A/B Synthesizer with the 10 MHz reference output connected to an HP 8447E/F amplifier (22 dB amp section) and the output of the amplifier connected to the trigger input of the HP 83480 series plug-in through a 6 dB attenuator. This setup produces a trigger signal that is about 2.3 Vpp and has about 10 ns rise and fall times. The jitter on this signal on channel 2 for this setup is about 30 ps pp.

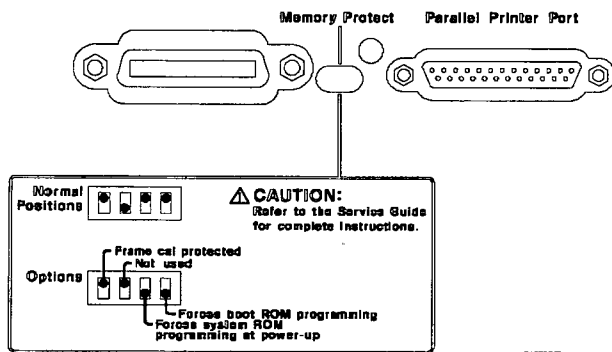
A second setup is an HP 8341B with the 10 MHz output connected through a 6 dB attenuator to an HP 8447D. This produces an approximate 2.6 Vpp, 10 ns t_r/t_f signal. The jitter on channel 2 is about 4.5 ps rms and 35 ps pp.

A third setup is an HP 8664A, 8665A, or 8665B signal generator with the 10 MHz reference output connected directly to the plug-in trigger input. The 10 MHz output on these generators is about 4 Vpp and is an approximate sine wave (t_r and t_f about 30 ns). This setup produces a jitter on channel 2 of about 2.8 ps rms.

use 8447 "F", 22 db gain or you may have problems

Calibrating and Adjusting
To calibrate the time base

- 1 Set the mainframe calibration protect switch to the unprotected position.
 - a Using the figure below as a reference, find the cal protect switches on the rear panel.
 - b Set the leftmost switch to the down position. The protection status displayed onscreen will not change unless the calibration status display is exited and reentered.



Rear Panel Calibration Protect Switches

- 2 Disconnect everything from the front panel. Press the Utility key, press the **Calibrate...** softkey, then press the **Calibrate frame** softkey.

After a few seconds, the screen prompts you to connect a -14 dBm, 500 MHz sine wave to channel 2. The "See Manual" prompt is a reference for you to see the "Trigger signal specifications" on the previous page.
- 3 After the signals are connected to channel 2 and the trigger input, press the **Continue** softkey. Then, monitor the status bar for the next prompt.
- 4 When the message "Adjust the variable cap for a reading of 4 ns \pm 0.004ns" comes up onscreen, do steps a and b.
 - a Turn the mainframe on its side and locate the plug covering the hole on the bottom on the mainframe. Remove the hole cover.
 - b Using a very small insulated adjustment tool, take care to adjust the very small screw-type capacitor for the above reading. Because the reading will bounce around, adjust the cap so that the reading usually reads within the \pm 0.004 ns reading. Press the **Continue** softkey when the adjustment is completed, then monitor the status bar for the next prompt.
- 5 Follow the prompt by adjusting the variable cap for a flat line of \pm 1.5 divisions. After the adjustment, press the **Continue** softkey. Put the hole cover back on, and turn the mainframe back on its feet.
- 6 Wait 10 minutes for stabilization, then press the **Continue** softkey, *then program*.
- 7 Following the prompt, adjust the front-panel knob for the best flat line. Press the **Continue** softkey when the best flat line is achieved.
- 8 As instructed, change the signal generator frequency to 2.0 GHz, then press the **Continue** softkey.
- 9 Use the front-panel knob to adjust for minimum discontinuity as displayed onscreen, then press the **Continue** softkey.

- 10 Because the movement on the screen is very slight and slow, it may be difficult to notice any changes on the screen as you make this adjustment. Use the front-panel knob to adjust for minimum discontinuity as displayed on screen, then press the **Cont inue** softkey.
- 11 Use the front-panel knob to adjust for minimum discontinuity as displayed onscreen, then press the **Cont inue** softkey.
- 12 Monitor the status line while the unit completes the discontinuity adjustments.
- 13 When the calibration is completed and the monitor displays "calibration completed", return the mainframe calibration protect switch to the "protected" position.

To calibrate the plug-ins

To calibrate the plug-ins, refer to the respective plug-in Service Guide.

Adjusting the Color CRT Module

Use these procedures to adjust the Color CRT Module to compensate for magnetic influences causing misconvergence.

WARNING

SHOCK HAZARD!

Be careful with exposed circuitry while doing these procedures. Failure to take precautions around energized circuitry may result in serious shock or death. Read the Safety information at the back of this manual before performing adjustment procedures.

DO NOT PERFORM THESE ADJUSTMENTS AS A PART OF ROUTINE CALIBRATIONS. The following procedures are provided only for the few extreme cases where either the earth's magnetic field or the user's environment cause an unusable display due to misconvergence, which cannot be corrected by degaussing the entire CRT screen.

DO NOT continue this procedure before degaussing the CRT screen using the rear panel degaussing switch. In extreme cases of magnetism, it may be necessary to degauss the CRT using a conventional external television-type degaussing coil.

These adjustments are to be performed only by qualified personnel who are familiar with color CRT convergence procedures.

Before starting the adjustments, mark the position where the potentiometers are set. This helps in returning the adjustments to their original positions if it becomes necessary to restart the procedure.

Equipment Required

The instrument firmware supplies the display patterns necessary for adjustment. The only tool required is a nonmetallic adjustment tool:

- Sony Part Number 4-367-065-01
- HP Part Number 8710-1355

After the shields are removed, you can operate the instrument with the CRT module connected and sitting at the front of the frame. However, the cables will be very short. You can make up a longer ribbon cable (4 feet) using the following parts.

- Ribbon cable (use 4 feet), HP Part Number 8120-1613, 3M Part Number 3365-40
- Cable connector (2 each), HP Part Number 1252-3124, 3M Part Number 3417-7600

To prepare the instrument

Note the original routing of all cabling for proper routing when the module is reinstalled in the instrument. Then, reroute the cables from inside the module to the outside (left side) of the module for reconnection to the power supply for adjustments.

- 1 Remove the Color CRT Module from the instrument (see chapter 6).
- 2 Reconnect the instrument front panel and reinstall the front panel (use two screws to temporarily hold the front panel in place).

WARNING

SHOCK HAZARD!

Be careful with exposed circuitry after removing the shield. Failure to take precautions around energized circuitry may result in serious shock or death.

3 Remove the right shield.

- a Disconnect the display power cable from the connection in the shield.
- b Remove the screws and slide the shield off the module.
- c Remove the power connector from the shield and reconnect it to the power cable from the instrument.

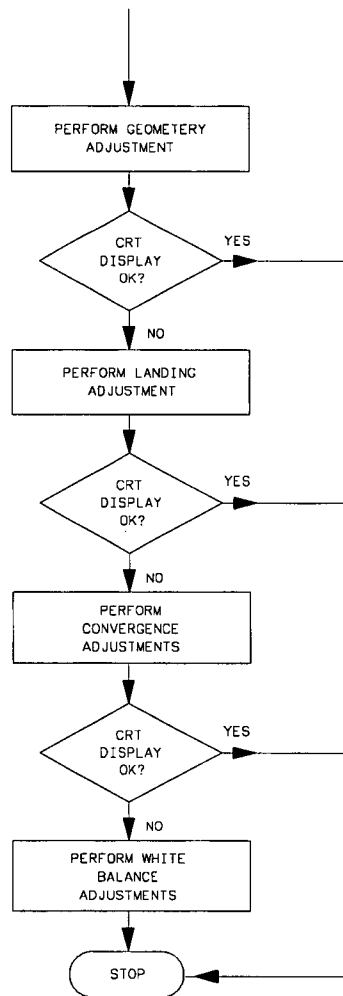
4 With the Color CRT Module placed in front of the mainframe, reconnect the module.

During any of the following adjustments, the CRT module must face west.

5 Use the following chart to guide the procedure.

The following adjustments are broken down into adjustment groups. The adjustment group sequence must be followed in order because of interaction and dependency. The adjustment group sequence is shown in the adjustment flow diagram below. There will be cases where not all of the adjustments groups will be used. For example, if the Geometry Adjustment Group corrects the problem, this will be the only group used.

IF CRT ADJUSTMENTS ARE REQUIRED



05411083

Color CRT Module Adjustment Flow Diagram

To adjust geometry

1 Display the white crosshatch pattern on the CRT.

To display the pattern, press the Utility key, press the, **Service** softkey, press the **CRT Setup...** softkey, then set the **CRT pattern** softkey to **on**.

- 2 Preset the front panel brightness control (top of the two controls to the left of the display) maximum clockwise.**
- 3 Preset the front panel contrast control (bottom of the two controls to the left of the display) to the mechanical center.**
- 4 Preset H.SUB SHIFT (RV006) and V.SUB SHIFT (RV008), located on the bottom PC board, to the mechanical centers.**

All of the following adjustment potentiometers are located on the PC board on the left side of the display.

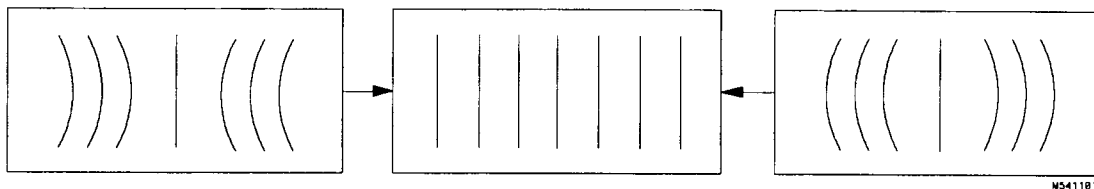
5 Adjust the display size. Measure with a flexible ruler.

- Adjust H.SIZE (RV504) for a 161 mm (6.34 in.) width.
- Adjust V.HEIGHT (RV50) for a 120.5 mm (4.74 in.) height.

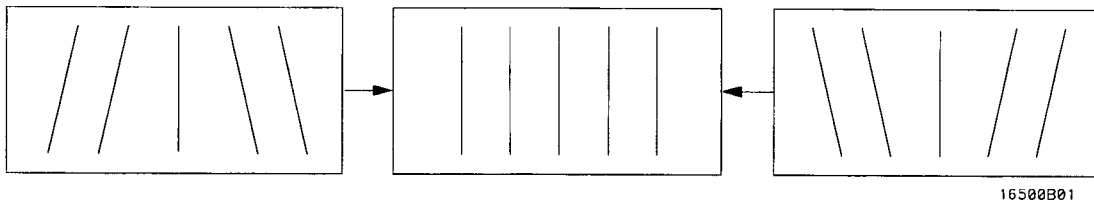
6 Center the pattern.

- Adjust V.CENT (RV510) for vertical centering.
- Adjust H.CENT (RV503) for horizontal centering.

7 Adjust PIN AMP (RV506) to eliminate pincushion distortion in the vertical lines of the crosshatch pattern as shown in the next figure.



8 Adjust PIN PHASE (RV505) to eliminate pin phase distortion in the vertical lines of the crosshatch pattern as shown in the next figure.



9 Adjust TOP PIN (RV511) so that the top horizontal line is parallel with the center horizontal line.

10 Adjust BOTTOM PIN (RV512) so that the bottom horizontal line is parallel with the center horizontal line.

To adjust focus, landing, and convergence

Once you have started, you will have to do all three of the procedures in this group.

Initial Preparation

- 1 Loosen the deflection yoke clamp screw.
- 2 Apply power and allow the instrument to thermally stabilize for 20 minutes.

Focus Adjustment

Geometry adjustments must be performed before making the focus adjustment.

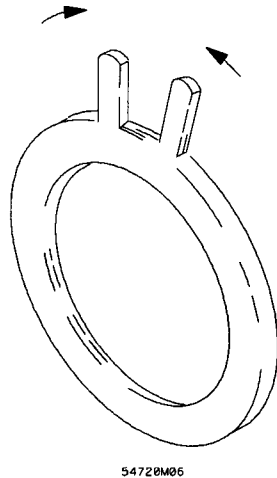
- 1 Display the white crosshatch pattern on the display.
To display the pattern, press the Utility key, press the, **Service** softkey, press the **CRT Setup...** softkey, then set the **CRT pattern** softkey to **on**.
- 2 Adjust FOCUS (RV701), located on the rear PC board, for best overall focus.

Landing Adjustment

- 1 Turn the front panel BRIGHTNESS control fully clockwise.
- 2 Degauss the CRT by momentarily pressing the DEGAUSS switch located on the instrument rear panel.

In some cases, the user's environment or shipping environment may have caused high levels of magnetization in the CRT. In this case, to completely degauss the CRT it may be necessary to use a conventional television-type degaussing coil.

- 3 Set the purity magnet tabs to the mechanical center (see next figure).

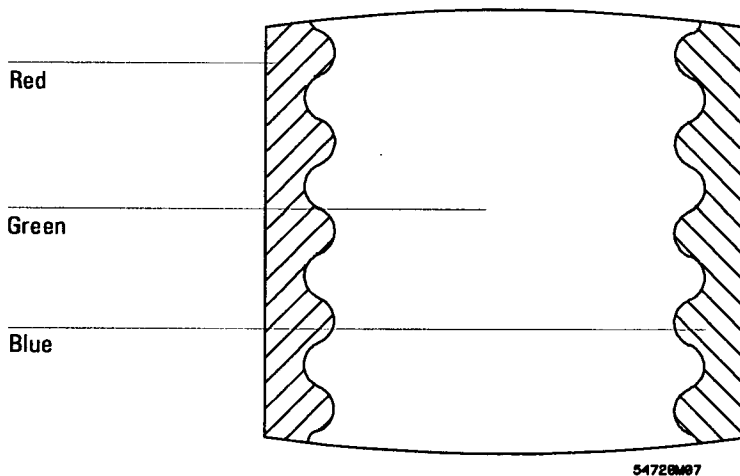


- 4 Display a green raster on the display.

To display the pattern, press the Utility key, press the, **Service** softkey, press the **CRT Setup...** softkey, then set the **Color purity** softkey to **green**.

In the next steps, while moving the deflection yoke forward and rearward, rotate the yoke as necessary to keep the edges of the raster parallel to the sides of the display.

- 5 Move the deflection yoke rearward until the left edge of the raster turns red and the right side of the raster turns blue.

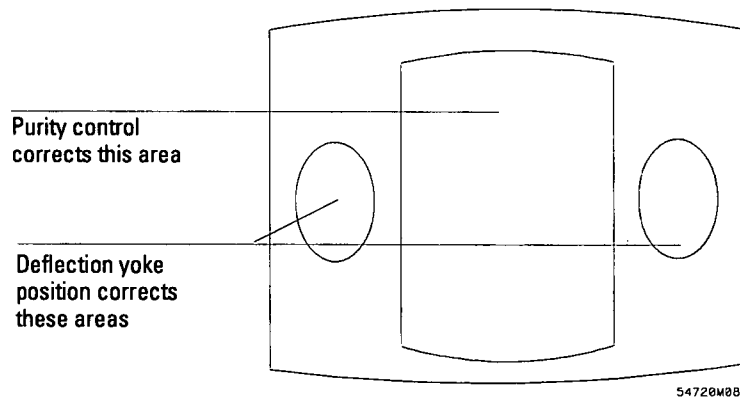


- 6 Adjust the purity magnets until green is in the center of the raster with red and blue bands evenly distributed on the sides (see above figure).

- 7 Move the deflection yoke forward until the entire raster is green.

Landing adjustment is easier if the yoke is moved all the way forward and then moved back until the raster is completely green.

- 8 Using the Color Purity key, replace the green raster with red and then blue raster, each time checking for proper landing adjustment (color purity of each).
- 9 If the landing is not correct in step 8, repeat steps 5 through 8 for the best compromise.



- 10 If the landing is not correct in step 9, readjust purity magnets for best landing of each color.
- 11 When the landing adjustment is complete, tighten the deflection yoke clamp screw just enough to keep the yoke from moving. DO NOT overtighten.

Static Convergence

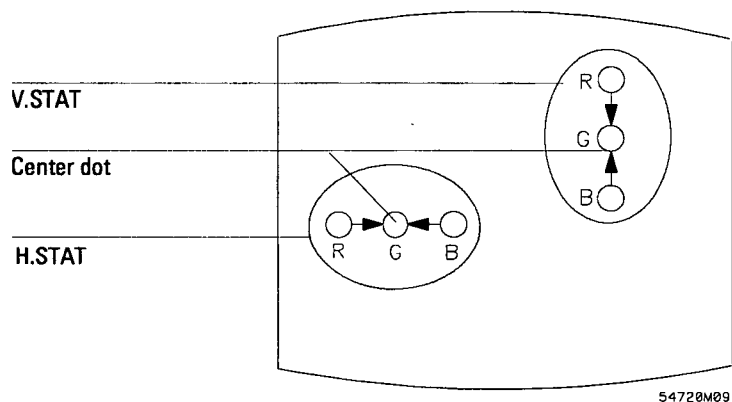
- 1 Temporarily disconnect the power from the instrument.
- 2 Remove the PC board shield cover from the rear of the Color CRT Module by prying evenly on all four sides.
- 3 Reapply power.
- 4 Display the white crosshatch pattern on the CRT.

To display the pattern, press the Utility key, press the, **Service** softkey, press the **CRT Setup...** softkey, then set the **CRT pattern** softkey to **on**.

- 5 Preset the front panel brightness control (top of the two controls to the left of the display) maximum clockwise.
- 6 Preset the front panel contrast control (bottom of the two controls to the left of the display) to the mechanical center.
- 7 Check the four dots which are located around the center intersection of the crosshatch pattern for coincidence of the blue, red, and green dots.

If the dots are not coincident, adjust H.STAT (RV703) located on the rear PC board to obtain horizontal coincidence and V.STAT (RV803) located on the bottom PC board to obtain vertical coincidence (see figure below).

Due to interaction, the BEAM LANDING will need to be readjusted if either the H.STAT or V.STAT adjustments are made. Once the BEAM LANDING is readjusted, repeat step 7 above, if necessary, to obtain the center screen coincidence of the dots.

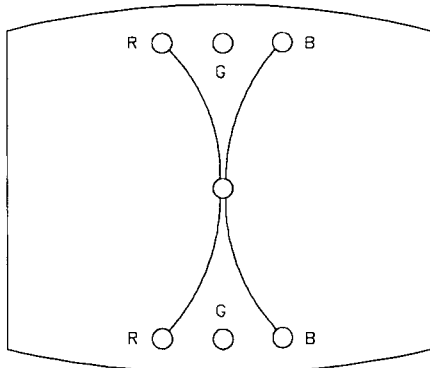


Dynamic Convergence

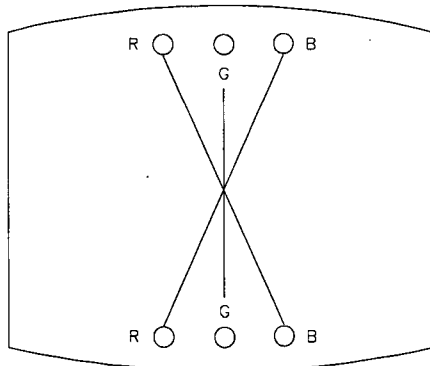
- 1 Display the white crosshatch pattern on the CRT.

To display the pattern, press the Utility key, press the **Service** softkey, press the **CRT Setup...** softkey, then set the **CRT pattern** softkey to **on**.

- 2 Adjust Y BOW (RV805) located on the bottom PC board to eliminate red, green, and blue bowing at the top and bottom of the center vertical line.

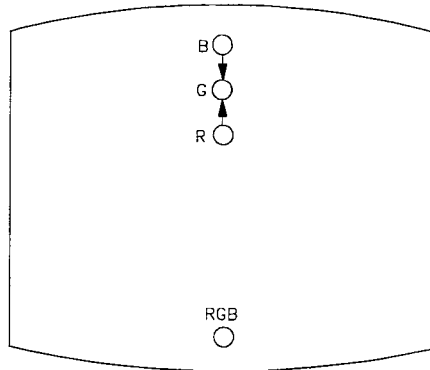
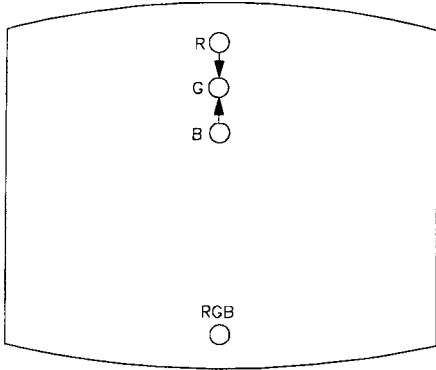


- 3 Adjust Y CROSS (RV804) located on the bottom PC board to eliminate red, green, and blue orthogonal misalignment at the top and bottom of the center vertical line.

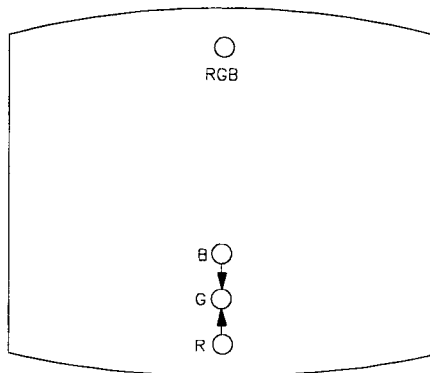
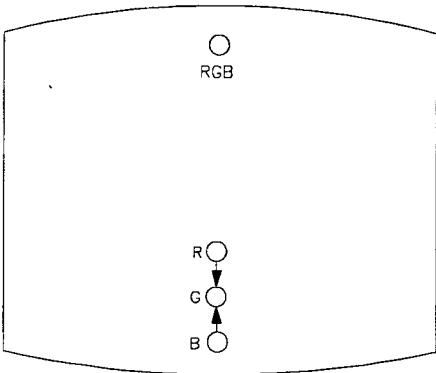


Calibrating and Adjusting
To adjust focus, landing, and convergence

- 1 Adjust V TOP (RV801) and V BOTTOM (RV802) located on the bottom PC board to obtain coincidence of the red, blue, and green at the intersection of the top and bottom horizontal lines with the center vertical line. Use the next two figures for V TOP and V BOTTOM respectively.

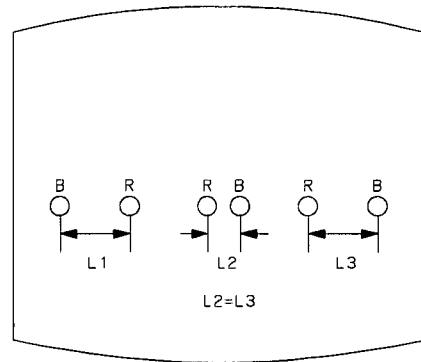
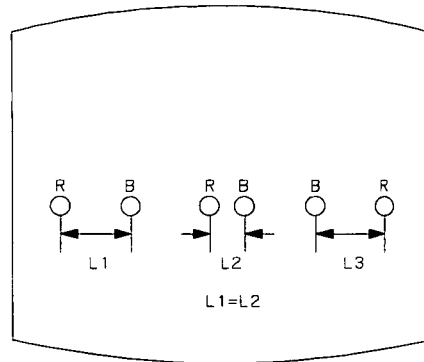


MS411007



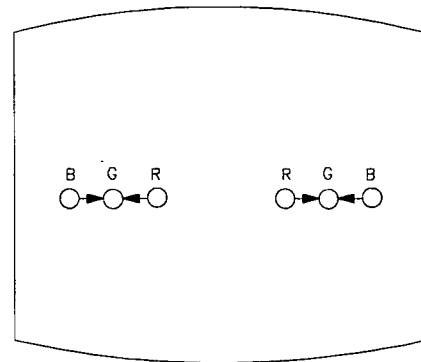
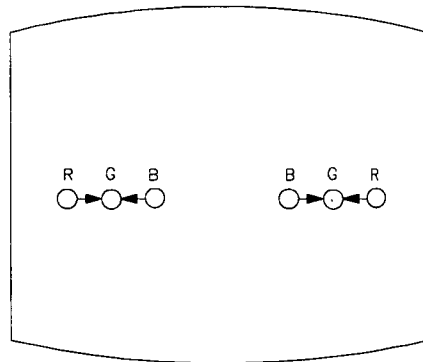
MS411008

- 5 Adjust H.AMP (RV807) located on the bottom PC board for equal amounts of misconvergence at the right and left sides of the screen.



M5411089

- 6 Adjust H.TILT (RV806) located on the bottom PC board for coincidence of red, green, and blue at the right and left sides of the screen.



M5411010

To adjust white balance

1 Provide a blank display on the CRT.

To display the pattern, press the Utility key, press the **Service** softkey, press the **CRT Setup . . .** softkey, then set the **Color purity** softkey to **black**.

The completely blanked raster will contain the text for the function keys on the right side of the display; however, this will not affect the adjustment.

2 Preset front panel brightness and contrast controls to their mechanical centers.

3 On the bottom PC board, set the following adjustments to their mechanical centers.

- SUB BRT (RV901)
- SUB CONT (RV902)

4 On the bottom PC board, set the following adjustments to their mechanical centers.

- G. DRIVE (RV921)
- B. DRIVE (RV931)
- R. DRIVE (RV911)

5 On the rear PC board, set the following adjustments fully counterclockwise (CCW).

- G. BKG (RV721)
- B. BKG (RV731)
- R. BKG (RV711)

6 Adjust SCREEN (RV702) located on the rear PC board until either the red, green, or blue raster just starts to become visible. Note which color becomes visible first and do not adjust the background control (BKG) for that color in the next step.

7 Adjust the other two background controls for the best white balance.

8 Press the Color purity softkey as necessary to obtain the white raster.

9 Set the front panel brightness control to maximum.

10 On the bottom PC board, adjust the DRIVE controls (RV921, RV931 and RV911) for the best white balance.

For a white balance reference, use an average piece of white photocopy paper and compare the white on the CRT to the paper.

11 Repeat steps 6 through 10 until satisfied with the white balance.

12 Essentially, from this point the procedure is:

- a** With a blank screen, the front panel brightness set to center, and SCREEN (RV702) set for minimum background, adjust the BKG controls (G.RV721, B.RV731, and R.RV711) for the best white balance.
- b** With a white raster and the front panel brightness set to maximum, adjust the DRIVE controls (G.RV921, B.RV931, and R.RV911) for best white balance.
- c** Repeat until satisfied with the white balance.

Trouble Isolation 5-3

Primary Trouble Isolation 5-5

No-Display Trouble Isolation 5-11

Keyboard Trouble Isolation 5-19

Missing Board Checks 5-22

Interpreting Internal Self-tests 5-23

Power Supply Distribution 5-25

Utility Menu 5-27

HP-IB Setup 5-27

System Configuration 5-27

Calibrate 5-29

Self Test 5-30

Firmware Support 5-30

Service 5-31

Troubleshooting

This section provides troubleshooting and other non-periodic maintenance information for the mainframe. The service strategy of this instrument is replacement of defective assemblies. Some assemblies can be replaced on an exchange basis.

This chapter is divided into two sections.

- The “Trouble Isolation” section helps you find a defective assembly when the instrument fails.
- The “Utility Menu” section describes the various features of that menu and how to use them.

Safety

Read the safety information at the back of this manual before servicing the instrument. Before performing any procedure, review it for cautions and warnings.

WARNING

Maintenance should be performed by trained service personnel aware of the hazards involved (for example, fire and electric shock). When maintenance can be performed without power applied, the power cord should be removed from the instrument. Lack of training and awareness of the hazards could result in electrical shock.

ESD Precautions

When using any of the procedures in this chapter you should use proper ESD precautions. As a minimum you should place the instrument on a properly grounded ESD mat and wear a properly grounded ESD wrist strap.

Keystroke Conventions

To guide you while setting up the instrument, the following conventions are used to represent keystrokes and other interactions with the instrument:

When you need to press a front-panel key (also called a hardkey), you will be instructed to press a specific key. For example, press the Time base key.

Bold text, such as **Display** or **Calibrate...**, represents text on the CRT screen and may be a softkey you press or a selection you make. For example, press the **Scale** softkey, then use the knob to set the scale to **1 ns/div**.

Default Setup

A Default Setup is provided to assure the instrument is in a known default state. The default setup prevents previous setups from interfering with the next test. The default setup also simplifies the instrument setup procedure.

To set the instrument in the default state, press the Setup key, then press the **Default setup** softkey.

Trouble Isolation

The trouble isolation information is provided to isolate a problem to a faulty assembly. When the faulty assembly has been located, the disassembly/assembly procedures in chapter 6 will help direct replacement of the assembly.

The primary procedural tool in this section is the flowchart. The flowchart contains the entire troubleshooting path from a failed instrument to a working one, and will direct you in an orderly manner through the possible failure symptoms. Reference letters on the flowcharts point to sections of reference text that expand on the brief prompts in the chart. Do not try to troubleshoot by following only the reference text because the text is not in the correct order for troubleshooting. Instead, simply follow the flowchart.

If you are unfamiliar with this instrument, start with the Primary Trouble Isolation Flowchart on the next page.

Tools Required

You need the tools normally used when troubleshooting electronic equipment. A digital multimeter and an oscilloscope with about a 100-MHz bandwidth. If you need to troubleshoot the color CRT module or plug-ins you can build extender cables using the parts listed below. If you need to remove and replace assemblies, you may need some of the hand tools listed in chapter 6 "Replacing Assemblies."

Color CRT module extender cable

This is a 40-conductor ribbon cable with 40-pin female connectors on each end. The cable should be about 4 feet long.

	Connector	Cable
3M Part No.	3417-6640	3365-40
HP Part No.	1251-8231	8120-1613

Plug-in extender cable

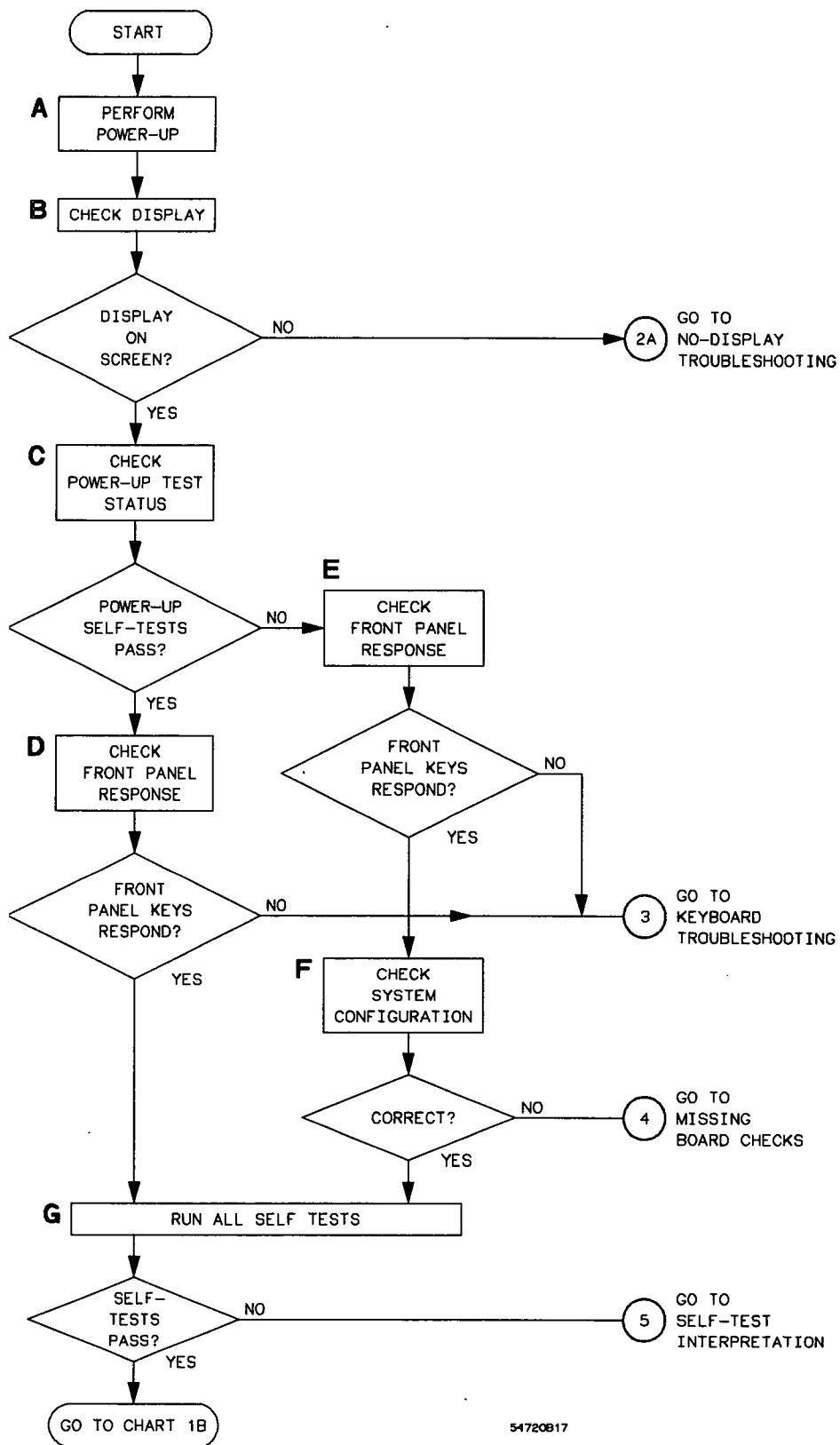
This is a 25 conductor cable with a 25-pin female sub-D on one end and a 25-pin male sub-D on the other. The cable should be about 2 feet long. You need to remove one conductor from the cable noted below.

	Female Connector	Male Connector	Cable
3M Part No.	8325-6000	8225-6000	3365-26
HP Part No.	1252-0048	1251-8352	8120-1506

OSP (Blindmate) extender cable

To isolate problems in the plug-in, it may be necessary to connect the strobe pulse by the OSP (Blindmate) extender cable. This cable consists of the following cables and adapters.

HP Part No. E2602-61601	Coaxial cable OSP (m) to SMA (m)
HP Part No. 83481-60006	Coaxial cable OSP (f) to SMA (m)
HP Part No. 1252-1158	Adapter SMA (f-f)



54720B17

Primary Trouble Isolation Flowchart 1A

Primary Trouble Isolation

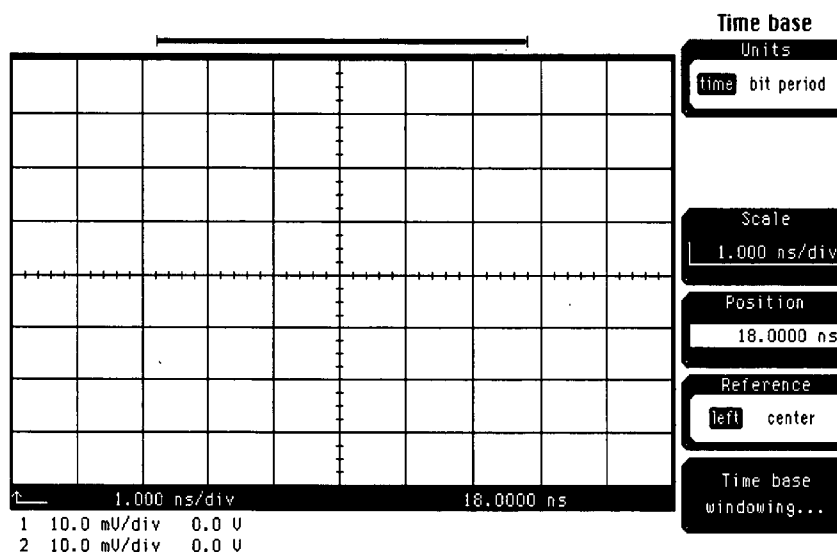
Except for moving the plug-ins between slots in the mainframe, the actions in the Primary Trouble Isolation Flowchart are performed without disassembling the instrument. Interaction of the front panel and other indications are used to help identify the problem area.

A letter is assigned to boxes in the flowchart. The letter corresponds to a specific section in the reference text. Be sure to use the flowchart itself for your troubleshooting path.

A Perform power up.

1 Turn on the instrument.

A few seconds after the instrument is turned on the graticule and a function menu is displayed on the screen. The screen should look similar to the next figure. Items in the softkey area will vary, depending on the setup selected before the instrument was turned off.



Power-Up Display, Time base Menu

If a fault occurs on power up, the screen will display "Power-On Test FAILED!" The power-on test just runs a few essential self-tests.

2 Press the Setup key, press the **Default Setup** softkey, then press the Time base key.

B Check the display.

The display onscreen should be similar to the figure above. If there is no display on the CRT screen after power up, go to the No-Display Trouble Isolation flowchart for further troubleshooting.

C Check power-on test status.

When the instrument is turned on the Power On Tests are performed. If the tests fail, a power-on test FAIL message appears at the top of the CRT screen. It will stay on screen until a key is pressed. If the tests pass, no message is displayed. The Power On Test status is shown in the system configuration menu.

D/E Check the front panel response.

Try pressing the different menu keys, such as Time base or Trigger, and the Channel keys on the plug-ins. Each of these keys should change the set of softkeys on the right side of the screen.

F Check the system configuration.

For more information about the system configuration menu, see "Utility Menus" in this chapter.

- 1 In the System keys, press the Utility key, then press **System Config...** softkey.
- 2 Verify that the slots show that all the boards are installed, as in the figure below.
- 3 If the System Configuration is not showing a board in a slot, go to the "Missing Board Checks" section for further trouble-isolation procedures.

Frame		System config	
Model	: 83480A	Time	12:23:22
Serial Number	: 3456A00101	Date	17 MAY 1994
Calibration Memory	: Unprotected	Declassify frame memory	
Power On Test	: Passed	Update system firmware	
Firmware Revision	: 2.01675 Wed Mar 23 15:49:58 1994	Exit	
Boot Revision	: 1.1		
Application	: none		
Slot	Board	Power Statistics	
6	CPU	Total Pon Time	: 903.51hrs
5	Display	Length Last Poff	: 19.23hrs
4		Time Since Pon	: 4.88hrs
3		Power Cycles	: 299
2	Acquisition		
1			
Plug-ins			
Slot	Model	Serial #	Calibration Memory
1	83483A	1234A00101	20 GHz Protected
2			
3	empty		
4	empty		

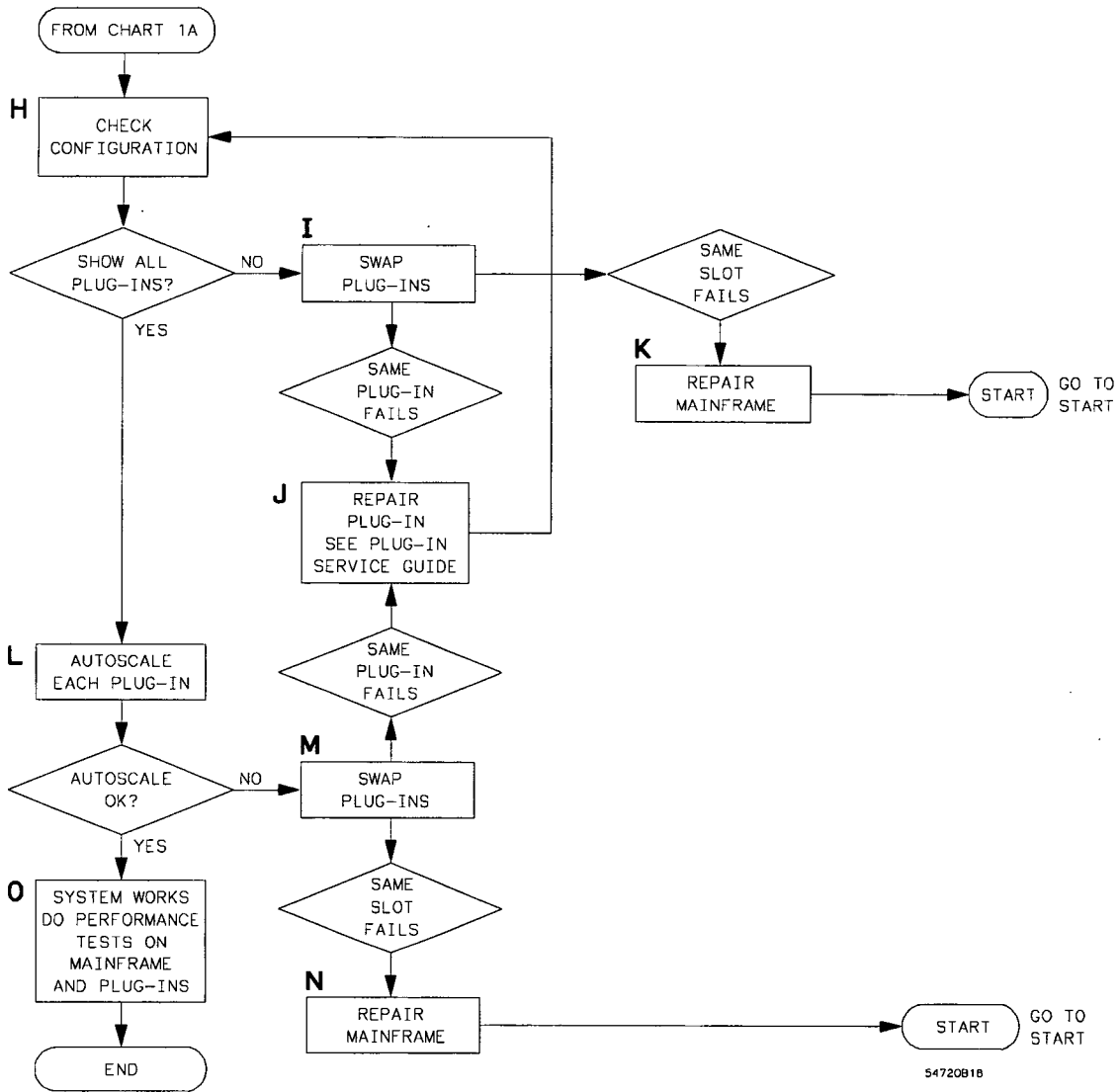
System Configuration

G Run all of the self-tests.

- 1 Press the Utility key, then press the **Self test...** softkey.
- 2 Toggle the **Board** softkey until **Test all boards** is highlighted, then press the **Enter** softkey.
- 3 Press the **Start** softkey, then allow the instrument to run the tests.
- 4 If any of the self-tests fail, go to the "Interpreting Internal Self-tests" section for further information.

NOTES

**Troubleshooting
Primary Trouble Isolation**



Primary Trouble Isolation Flowchart 1B

H Check instrument configuration.

Press the Utility key, then press the **System Config...** softkey. The plug-ins are listed at the bottom of the screen.

If a plug-in is not listed, it has not been recognized by the mainframe. Ensure that the plug-in is firmly seated in the mainframe, and that its memory is programmed.

I Swap plug-ins.

If the mainframe does not show the plug-in, swap the plug-in to the other two plug-in slots.

- If the failure follows the plug-in, the plug-in needs repair.
- If the failure is in the same slot as before, there is a problem with the mainframe.

J Repair the plug-in.

1 Use the trouble isolation procedures in the Service Guide for the failed plug-in.

2 Reinstall the repaired plug-in and resume troubleshooting at block H of this chart.

K Repair the mainframe.

For this type of mainframe problem, first try replacing the CPU board. If that does not correct the problem, replace the motherboard.

L Autoscale test each channel.

Using a power splitter and cables, connect a 0.5 Vp-p, 10 MHz signal to both the channel input and the trigger input, then press the Autoscale key.

M Swap the plug-ins.

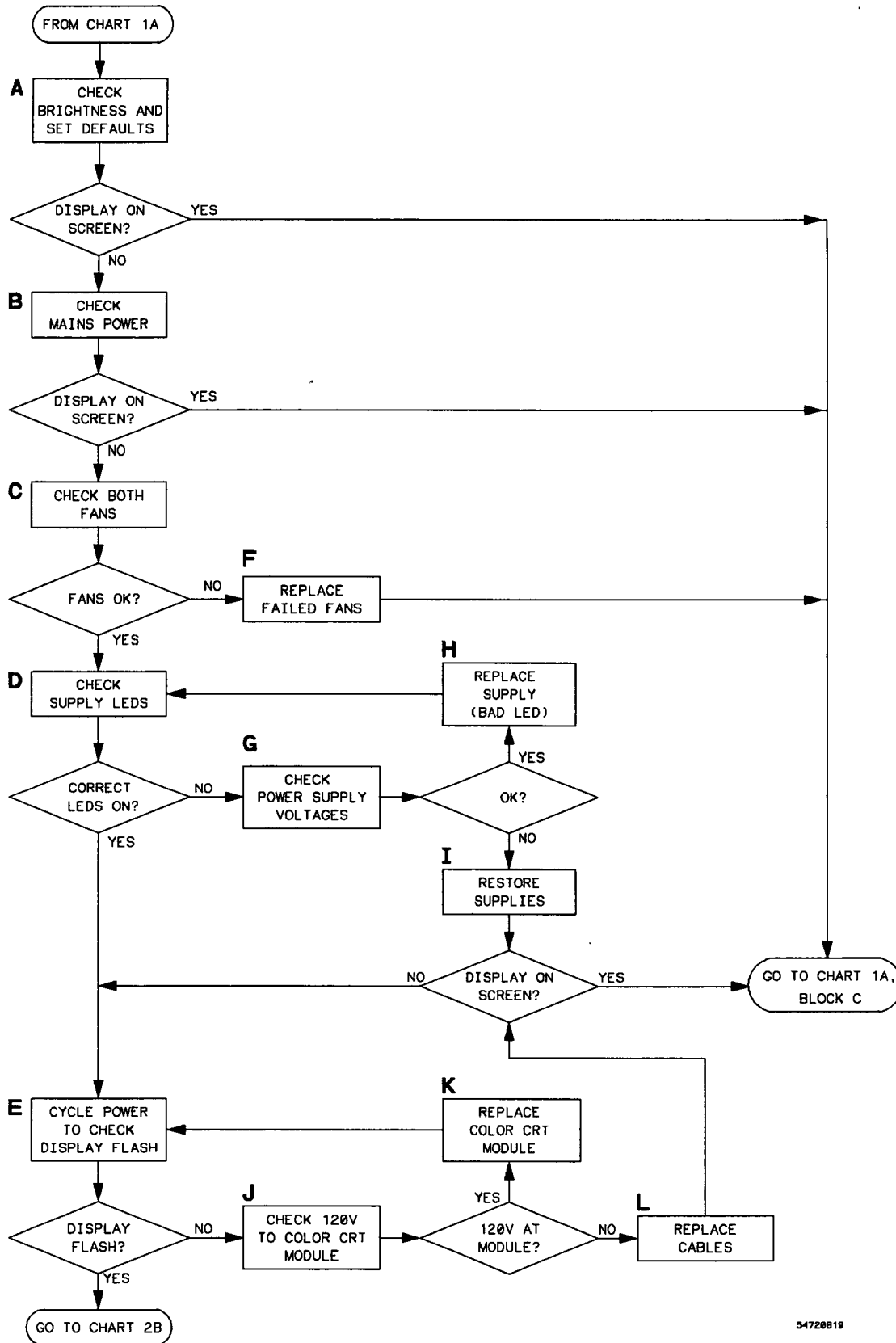
If the autoscale for a plug-in is not successful, swap it with a plug-in that does autoscale and retry autoscale of both plug-ins.

N Repair the mainframe.

In this case the mainframe failure is most likely in the Time base and Acquisition assembly.

O The system is operational. Performance test the mainframe and each plug-in according to the procedures in chapter 3 of the Service Guides.

**Troubleshooting
Primary Trouble Isolation**



54720819

No-Display, Trouble Isolation Flowchart, 2A

No-Display Trouble Isolation

These trouble isolation details help isolate a problem to the assembly level when there is no display on the color module screen.

A Check brightness and set defaults.

- 1 Check that the front panel brightness control (top adjustment) is set fully clockwise.
- 2 Set up the instrument defaults. Press the Setup key, then press the bottom (Default setup) softkey.

B Check mains power.

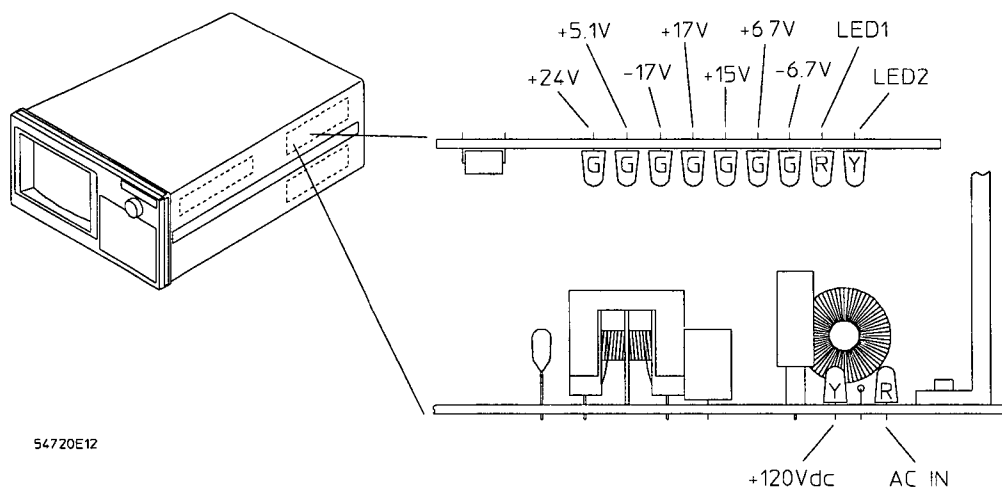
- Verify that the instrument power cable is connected.
- Verify that the line select switch on the rear panel is set to the proper line voltage, 115 V or 230 V.
- Check that the rear panel circuit breaker and the front panel Power switch are both ON.

C Check that both the rear fan and that the front fan are operating.

- The rear fan is located in the compartment directly behind the color CRT module.
- The front fan is located above the plug-in slots, behind the disk drive. To view the front fan, remove plug-ins from slots 3 and 4 and look into the area above the plug-in slots.

The power supply Remote Shut Down (RSD) circuit will shut the supply down if either fan is not connected or a fan does not start rotating immediately when power is turned on. One symptom of an inoperative fan is a particular sequence of LED indications on power-up.

- 1 Use the figure below to establish the location of the power supply LEDs. They can be viewed through the ventilation holes in the side of the instrument.



54720E12

Power Supply LED Location

2 Cycle the power while watching the LEDs.

- a The seven green LEDs and 120 V yellow LED light for 1 to 5 seconds, then go off.
- b Then LED1 (red) and LED2 (yellow) come on.

3 Cycle the power while watching the fans.

If the LED sequence happens as noted in step 2, cycle the power while watching each fan in turn. A good fan should start to run as the power comes up, then stop when remote shutdown occurs. A faulty fan probably will not run at all.

D Check supply LEDs.

Verify that the correct supply LED indicators are lit. Use the figure on the previous page. An unlit LED indicates that the respective power supply voltage is missing.

- The red AC IN LED is on.
- All seven green LEDs are on.
- The yellow LED for +120 Vdc is on.

Both LED1 and LED2 are normally off. When on, they indicate a supply failure or shutdown.

Failure LED Indications

LED1 on, LED2 off	The power supply is in either Over-Load-Protection or in Over-Temperature- Protection condition. In this case, verify the vent holes are clear and allow the instrument to cool if necessary. If the instrument is cool and the condition persists, suspect a short circuit on one of the supplies.
LED1 on, LED2 on	The power supply is in the Over-Voltage-Protection or the Remote-Shut-Down mode. A disconnected or non-working fan will cause the power supply to go into Remote-Shut-Down mode. See step C above. The Over-Voltage-Protection condition indicates the power supply is not properly loaded or is not maintaining regulation and needs to be replaced .

E Cycle the power to check for display flash.

When there is no display, try cycling the power off, then on. If the screen flashes, the +120 Vdc supply voltage is reaching the color CRT module.

F Replace failed fan.

Replace a fan that will not attempt to run.

G Check the power supply voltages.

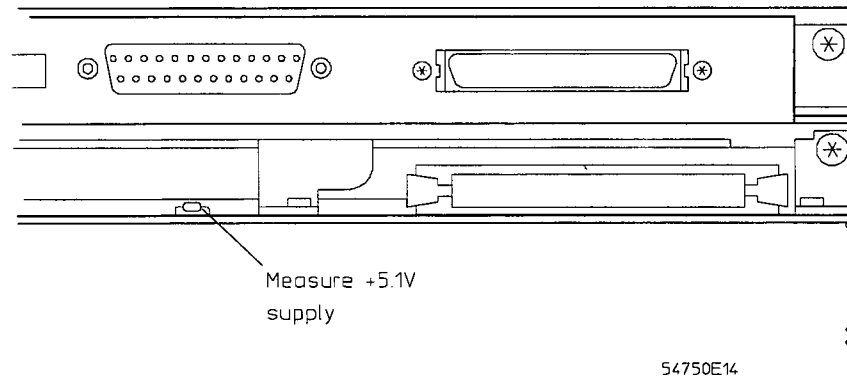
- 1 Five of the seven supply voltages can be checked on any of the bus connectors in the plug-in compartment.

	Pin #	Voltage	Approx. Resistance
	6	+17 V (17 V to 18 V)	100 Ω
	7	-17 V (-17 V to -18 V)	200 Ω
	18	+15 V (14.5 V to 16 V)	500 Ω
	19	+6.7 V (6.7 V to 7.7 V)	50 Ω
	20	-6.7 V (-6.7 V to -7.7 V)	5 Ω

Voltages Accessible on Plug-in Connectors

- 2 Set the Power switch to Standby and measure the supply line resistance (with respect to ground) at the pins shown in the above figure. If the supply voltages are down, it can be caused by a short on an assembly.
- 3 Check the +5.1 V supply.
 - a Remove the rear panel and find the display assembly. It is the second assembly below the power supply.

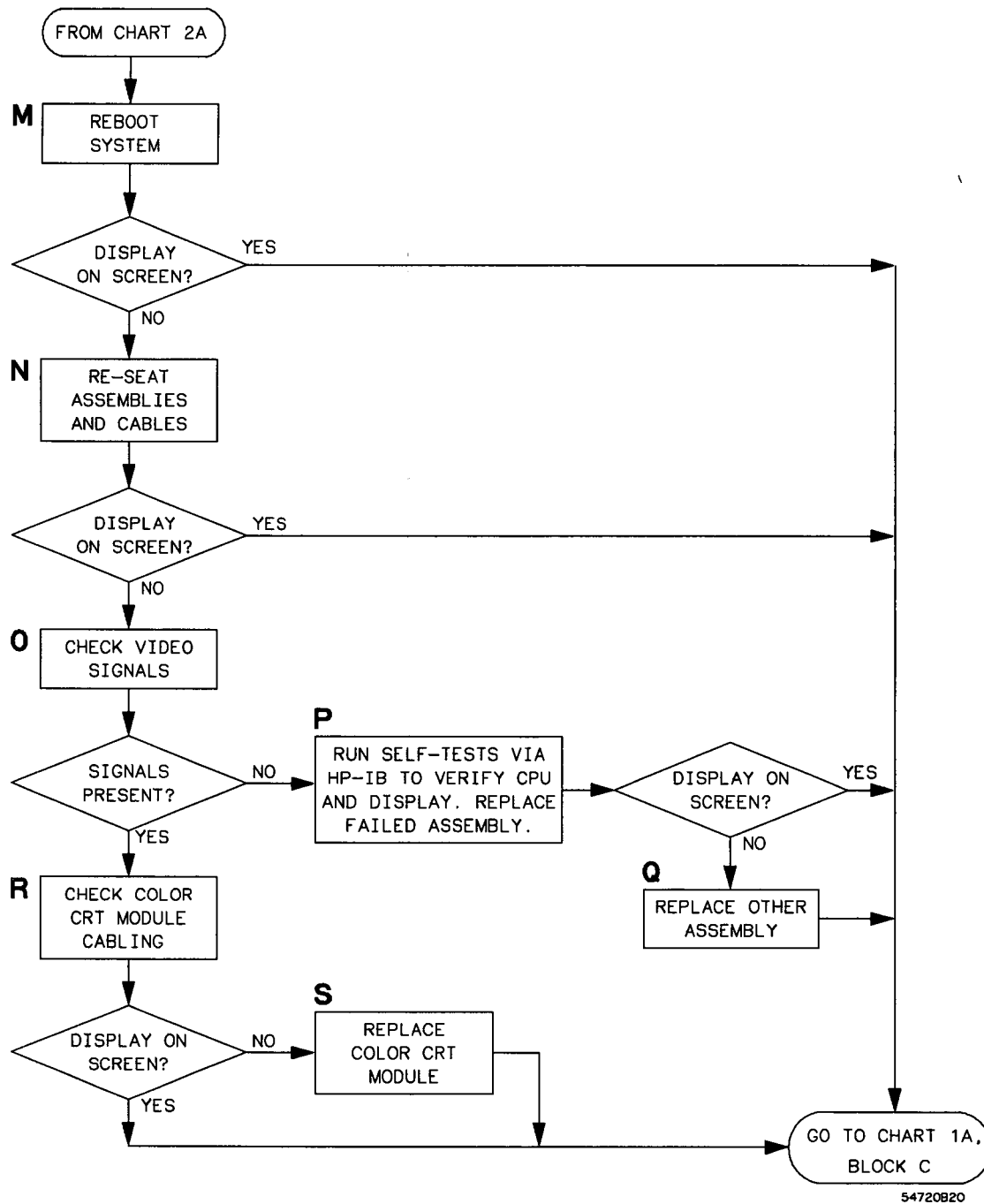
- b** Apply power and measure the +5.1 V supply voltage at the decoupling capacitor visible just to left of the center of the board.



+5-V Supply Measurement Point

- c** Set the Power switch to Standby, allow the supplies to discharge, then measure the resistance of the supply line. It should be about 20 Ω .
- H** Replace the supply.
Apparently the supply works but an LED is not lit. Replace the supply to correct the problem.
- I** Restore the supplies.
Either the power supply is faulty or an assembly is overloading the supply. Use the "Power Supply Distribution" section and other isolation techniques to isolate the excessive load on the supply.
- J** Check for 120 Vdc at the module.
If the screen does not flash when the power is cycled, extend the color CRT module and check for 120 Vdc at the module. (See "To remove and replace the color CRT module" in chapter 6.) There is an intermediate cable between the module shield and the module circuitry. You will have to remove the shield to check further.
While the module shield is off, check the ribbon cable connection.
- K** Replace the module.
If the +120 Vdc is reaching the color CRT module but it does not flash when the power is cycled, replace it with a different one. (See "To remove and replace the color CRT module" in chapter 6).
- L** Replace cables.
The most likely cause of the lack of power is a bad cable. However, the 120 V comes through the motherboard. Check for 120 V at the motherboard connector. If 120 V is not on the motherboard connector, there is a problem on the motherboard or with the power supply connection to the motherboard.

Troubleshooting
No-Display Trouble Isolation

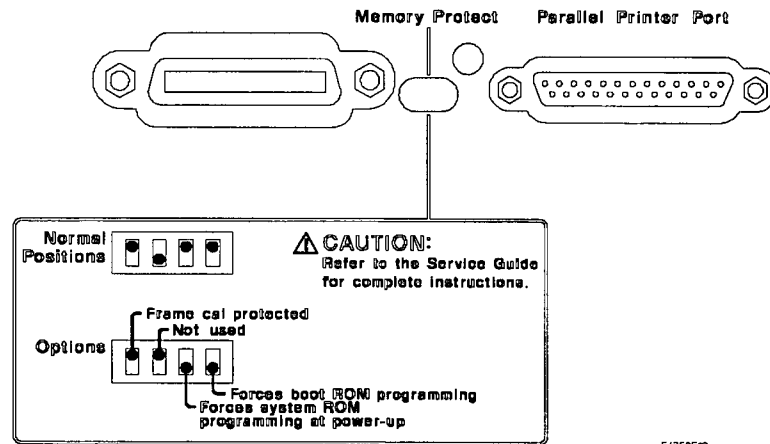


No-Display, Trouble Isolation Flowchart, 2B

M Re-boot the system.

There are three ways to force the system to load firmware when you cannot see the display.

- If the disk drive light comes on when power is applied, the instrument knows the firmware is corrupted. To load the operating system, insert the system disk and cycle the power.
- If the disk drive light does not come on, the firmware may be corrupt but the instrument is not aware of that and will not try to load new firmware. Use the following procedure.
 - a Set the rear panel system ROM switch down, as shown in the figure below.



ROM Programming at Powerup

- b Install a system disk and apply power.

The operating system loading operation takes a few minutes. When finished, the disk drive light will go out.
- c Cycle the power. The display should come up on the screen.
- If the system is operating but has no display, you can load the firmware using the front panel even if you cannot see the display.
 - a Insert the system disk.
 - b Press the Utility key, press the second softkey from the top, then press the third softkey from the bottom.
- If the instrument loses its operating system when power is turned off, the battery on the CPU may be low.

N Reseat assemblies and cables.

A no-display condition can be caused by disconnected or improperly seated connectors. Try the following:

- Check the ribbon cable connection between the display board and the color CRT module.
- Check the ribbon cable between the CPU board and the display board.
- Reseat the CPU board and Display boards.

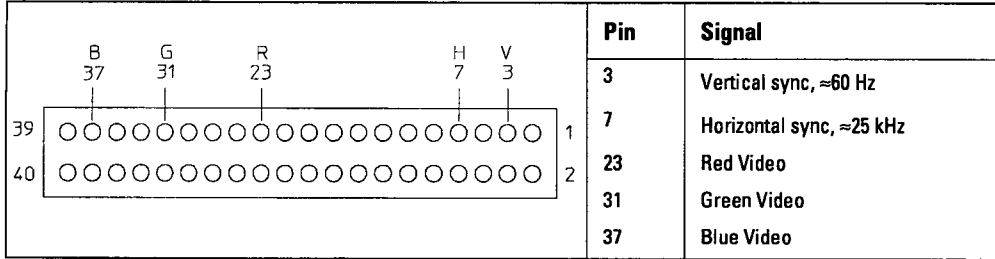
Troubleshooting
No-Display Trouble Isolation

0 Check the video signals.

The video signals are conducted from the display board to the color CRT module via a wide ribbon cable. To remove parts and assemblies, refer to procedures in chapter 6.

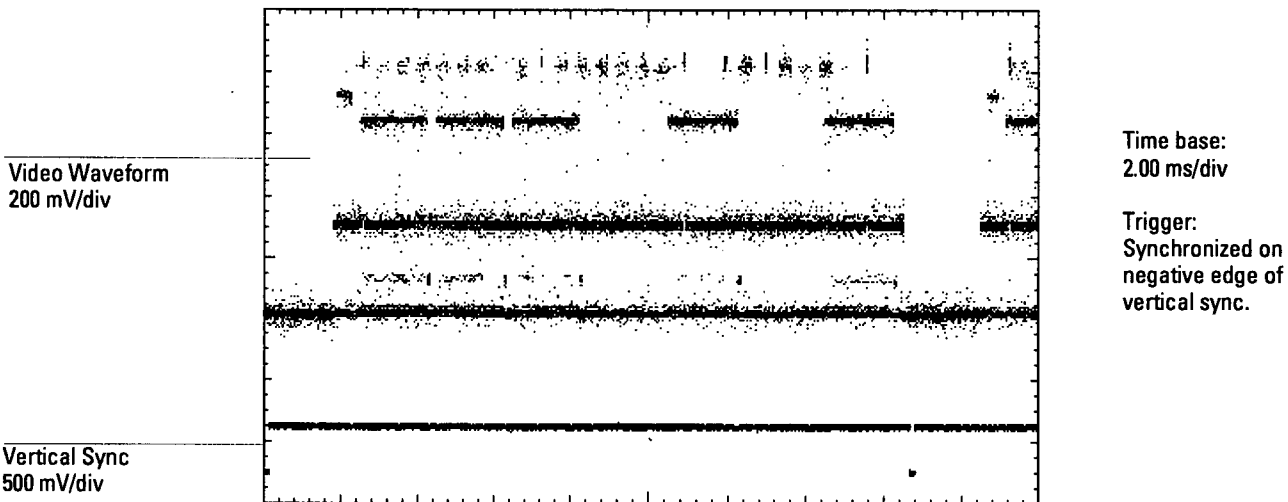
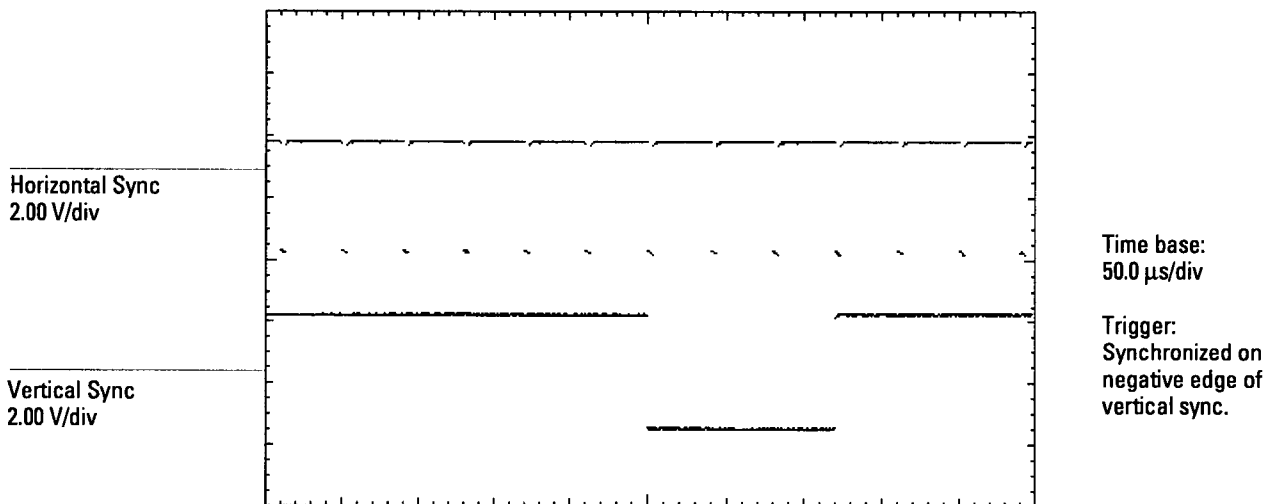
1 Remove the ribbon cable from the rear of the display board. The display board is the second assembly below the power supply.

2 Use the following figure to locate the video signals on the PC board connector.



Video Signal Locations

3 Use another instrument to check for video signals similar to the following figure.



Video Signals

P Run self-tests over HP-IB.

If all the power supplies are running and there is no display, the problem may be caused by the CPU board or Display boards. Run the internal self-tests via the HP-IB to verify the CPU board and Display boards are running. The procedure gives an example program.

1 Connect an HP series 200/300 controller.

2 Set the HP-IB address on the instrument.

For the following program to run, the instrument address must be set to 7. Since the display is blank, you will have to do it without seeing the softkey names on the screen.

a Press the Utility key.

b Press the **HP-IB setup...** softkey, (the top softkey).

c Set the **address** softkey to **7**, set the **Mode** softkey to **controller**, then press the **Enter** softkey.

3 Run this program for a CPU self-test. The test takes about 3 minutes; a much longer test indicates the test is failing.

```

10  !This program runs HP 54750 self-tests over the HP-IB
20  !and prints the pass/fail result.
30  !
40  DIM Test$(100)
50  CLEAR 707                                !Clears HP-IB interface.
60  !
70  OUTPUT 707;"SELF TEST:CPU? ALL"          !Commands HP 54750 to run a
80                                          !self-test.
90  !
100 ENTER 707;Test$                          !Returns results of
110                                          !self-test.
120 PRINT Test$
130 END
:SELF TEST: CPU PASSED

```

4 To run a Display self-test, change the program.

a Change line 70 so that it will run the display test. Change "CPU?" to "DISP?".

```

70  OUTPUT 707;"SELF TEST:DISP? ALL"        !Commands HP 54750 to run a
80                                          !self-test.

```

b When the test is finished the instrument will return to the controller:

```

:SELF TEST: DISPLAY PASSED

```

5 Replace the failed assembly.

Q If the display does not show after block O, replace the assembly not replaced in block O.

R Check color CRT module cabling.

If video signals are present at the display PC board connector but there is no display, check the cabling to the module. To remove parts and assemblies, refer to procedures in chapter 6.

1 Remove the module from the instrument.

2 Remove the shields from the module.

3 Check the ribbon cable connection.

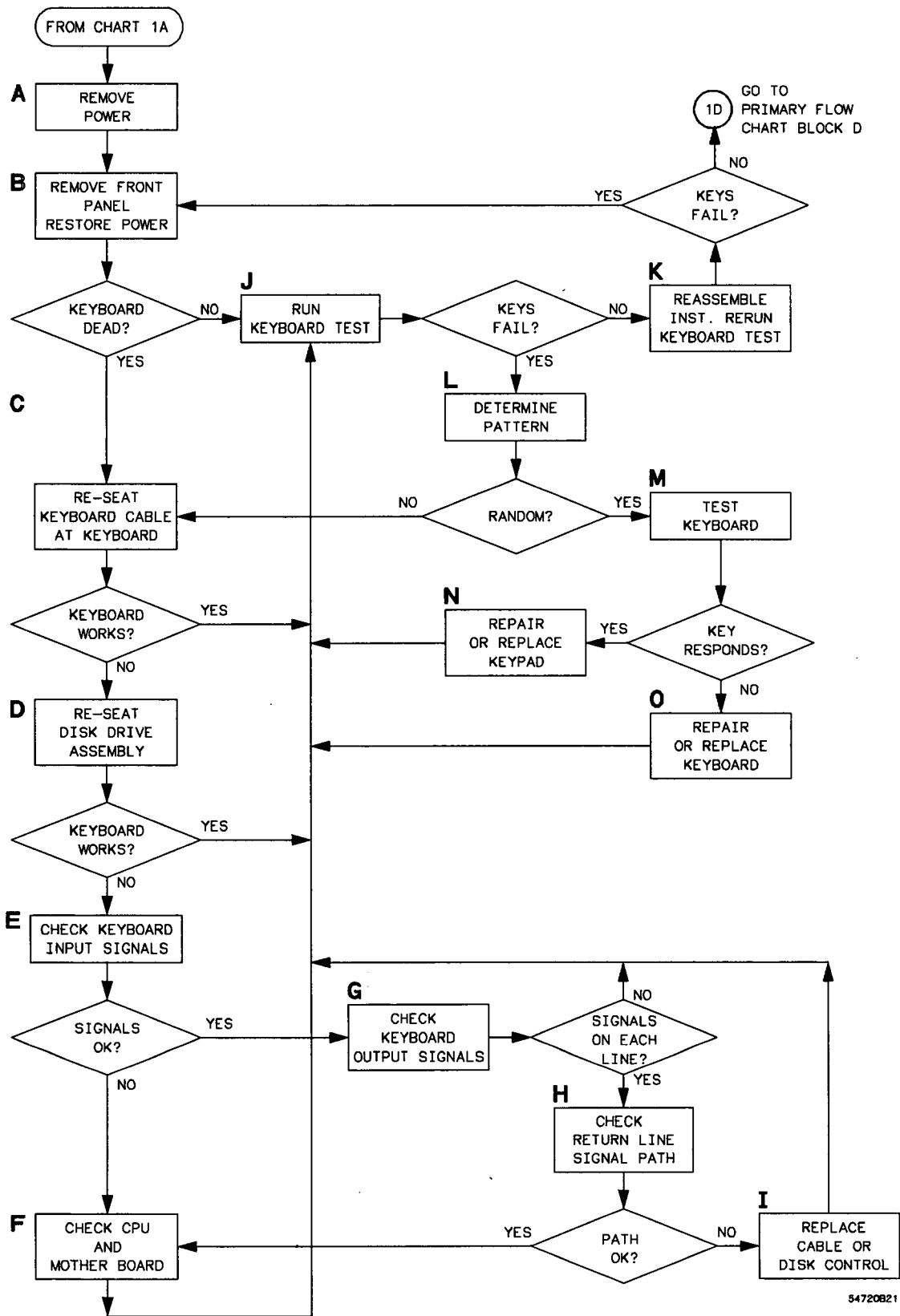
4 Connect the module cables and apply power.

5 If there is still no display, check for the video signals at the module end of the ribbon cable. Use the figures on the previous page.

6 If there are no video signals, replace the cable. If there are, replace the module.

S Replace the color CRT module.

**Troubleshooting
No-Display Trouble Isolation**



54720B21

Keyboard Troubleshooting Flowchart

Keyboard Trouble Isolation

Use this section to isolate keyboard problems. Such problems can usually be isolated into two groups, those that indicate complete keyboard failure and those that indicate random key failures. However, electrically the keys on the front panel are in a six by eight array, so multiple key failures may have a pattern that is masked by the layout of the keyboard.

Refer to the instrument block diagram in chapter 8 and to the exploded views in chapter 7 for cable interconnect information. Notice that the front-panel keyboard is connected by cable to the disk control board. The disk control board plugs into the mother board. The problem can be a disconnected cable or connector in the keyboard signal path.

CAUTION

Always remove power before removing and replacing assemblies. Failure to remove power may result in damage to the instrument.

A Turn off the power and remove the power cord.

B Remove the front panel.

Refer to the disassembly procedure in chapter 6.

C Reseat the keyboard cable in the front-panel board connector and retry instrument operation.

To remove this connector, push in the metal clips on both ends of the connector and pull the connector out.

D Reseat the disk drive assembly.

1 Remove power.

2 Remove the disk drive and disk control board as a unit and reseat all connectors.

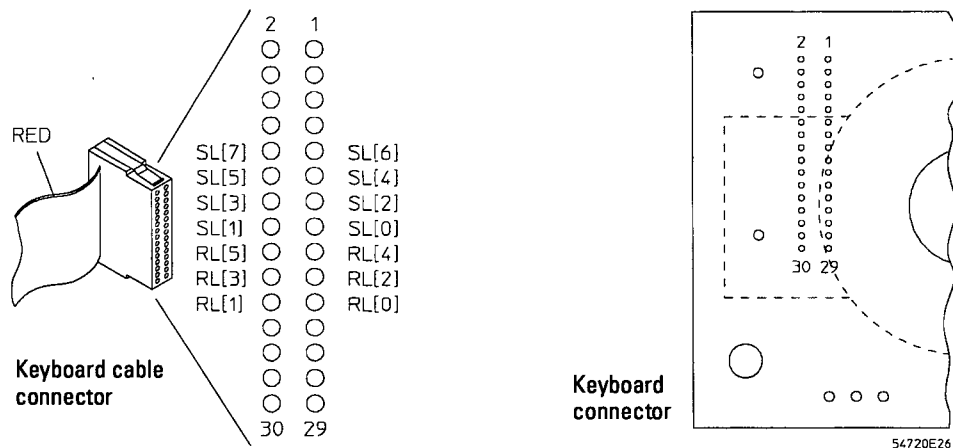
To remove this assembly, remove the one screw that holds the disk drive assembly at the front of the plug-in enclosure.

3 Reinstall the disk drive assembly and retry instrument operation.

E Check the keyboard input signals.

Refer to the figure below and the table on the next page. The keyboard input signals consist of eight strobe lines, SL[0] through SL[7]. Each line should show a negative TTL pulse 1 ms wide at about 126 Hz (7.9 ms period).

1 Check the strobe signals on the keyboard connector. If the signals are good, go to block G.



Keyboard Signal Test Locations

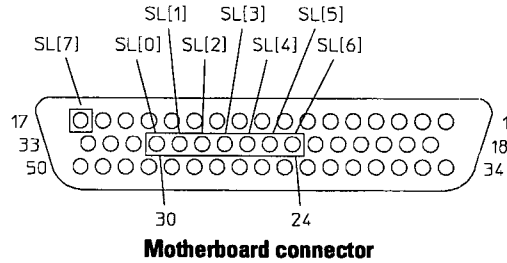
2 Check the strobe signals at the motherboard connector where the disk control board plugs in.

a Remove the disk drive assembly.

Remove the one screw that holds the disk drive assembly at the front of the plug-in enclosure.

b Apply power and check the signals.

When power is applied the signals should be present. However, the display will not come up because the front panel is disconnected.



- If the signals are correct, the CPU and motherboard are functioning and the problem is between the motherboard and the front-panel board connector. Check for continuity through the disk control assembly and keyboard cable.
- If the signals are not correct, the problem is with the CPU or motherboard.

F Check the CPU and motherboard.

Try the following, in this order. Use the disassembly procedures in chapter 6.

- 1 Remove and reseal the CPU board.
- 2 Replace the CPU board.
- 3 Replace the motherboard.

Keyboard Signal Lines

Return Lines (out)	Strobe Lines (input)							
	SL[7]	SL[6]	SL[5]	SL[4]	SL[3]	SL[2]	SL[1]	SL[0]
RL[0]	Time base	Trigger	Acquisition - Acquisition	Display	Marker	Define meas	Math	Application - cation
RL[1]	Help	Utility	Softkey 6 (bottom)	Softkey 5	Softkey 4	Softkey 3	Softkey 2	Softkey 1
RL[2]	Clear display	Run	Stop Single	Disk	Wave-form	Setup	Print	Auto-scale
RL[3]	Softkey 0 (top)	Shift (blue)	0	1	4	7	8	5
RL[4]	2	.	Clr	Eex	±	3	6	9
RL[5]	---	pico	nano	micro	milli	Enter	⇐⇓	⇑⇒

G Check the keyboard output signals.

- 1 Use the figure on the previous page and the table above.
- 2 While monitoring each output line in turn, (RL[0]–RL[5]) press a key on that line. You should get the same signal as the input lines, a negative TTL pulse 1 ms wide at about 126 Hz.

H Check the return line signal path (RL[0]–RL[5]).

- 1 Use the figure on the previous page, the table above, and the table on the next page.
- 2 Use an ohmmeter to check continuity between the keyboard and the disk control connector that plugs into the motherboard.

Keyboard Signal Locations

Keyboard Connector Pin	Signal	Disk Control Connector Pin	Keyboard Connector Pin	Signal	Disk Control Connector Pin
1	Trig LED	8	16	SL[1]	29
2	Armed LED	9	17	SL[0]	30
3	A Trig LED	10	18	RL[5]	31
4	SW LED0 (Shift)	11	19	RL[4]	32
5	--	12	20	RL[3]	33
6	--	13	21	RL[2]	41
7	RPG A	14	22	RL[1]	42
8	RPG B	15	23	RL[0]	43
9	Grd	16	24	VCC +5.1	44
10	SL[7]	17	25	REMOTE ON/OFF	45
11	SL[6]	24	26	GND	21
12	SL[5]	25	27	+12V	47
13	SL[4]	26	28	+12 RTN	48
14	SL[3]	27	29	Background	49
15	SL[2]	28	30	Brightness	50

I Replace the keyboard cable or disk control, whichever is faulty.

J Run the Front Panel test.

1 Press the Utility key, then press the **Self test** softkey.

2 Toggle the **Board** softkey until **Front Panel** is selected.

3 Press the **Enter** softkey, then press the **Start** softkey.

This brings up a diagram of the mainframe's front panel. The individual keys will highlight as they are pressed.

4 Press all the keys to determine if keys or groups of keys are not functioning.

K Reassemble the instrument and run the keyboard test again.

L Determine the key failure pattern.

Use the previous table to determine whether there is a pattern to the key failures.

- If failures are grouped on a specific strobe line (SL[0]-SL[7]) or return line (RL[0]-RL[5]), the failure is likely to be off the keyboard. Go to block C.
- If failures are unrelated to a specific strobe or return line, the failure is probably on the keyboard. Note which keys have failed and go to block M.

M Test the keyboard.

On the back side of the keyboard (the side opposite the keys) at each key position is a pair of PC pads. Each pair of pads is in a small open area of the ground pattern. These PC pads, one square and one round, are connected to the key contacts on the opposite side.

- At the failed key, use a short wire or paper clip to carefully short the square and round PC pads.

N Repair or replace the keypad.

Check for contamination on the PC traces or keypads. The keypads are very simple.

Contamination may prevent contact between the black contact on the pad and the board.

O Repair or replace the keyboard.

The failure may be a broken trace.

Missing Board Checks

The mainframe has the following system configurations.

Frame	
Model	: 83480A
Serial Number	: 3456A00101
Calibration Memory	: Unprotected
Power On Test	: Passed
Firmware Revision	: 2.01675 Wed Mar 23 15:49:58 1994
Boot Revision	: 1.1
Application	: none

Slot	Board	Power Statistics
6	CPU	Total Pon Time : 903.51hrs
5	Display	Length Last Poff : 19.23hrs
4		Time Since Pon : 4.88hrs
3		Power Cycles : 299
2	Acquisition	
1		

Plug-ins				
Slot	Model	Serial #	Analog BW	Calibration Memory
1	83483A	1234A00101	20 GHz	Protected
2				
3	empty			
4	empty			

System config

Time
12:23:22

Date
17 MAY 1994

Declassify
frame
memory

Update
system
firmware

Exit

System Configuration

CAUTION

Do not remove or replace PC assemblies when the instrument is powered. Doing so may cause circuit failures. However, plug-ins can be removed and installed with power applied.

Use the procedures in chapter 6 for removing and replacing assemblies.

- 1 Press the Utility key, then press the **System Config...** softkey. You should have the display shown above.
- 2 If the instrument appears to be missing a board in one or more slots, turn off the power and reseal the board/assembly that is not showing.
- 3 Reapply power and check the configuration (step 1).
- 4 If there is still a missing board repeat the procedure, making the next one of the following changes at step 2 each time.
 - Reseat the microprocessor assembly.
 - Replace the board/assembly that is not showing.
 - Replace the microprocessor assembly.
 - Replace the motherboard assembly.

Interpreting Internal Self-tests

The internal self-tests exercise the internal circuitry on the respective mainframe assemblies. Some of the tests require that some associated circuitry on interfacing boards is working also. These tests only do limited checks on the time base and acquisition board, and they do not test the plug-ins. The time base and acquisition assembly in the mainframe and the plug-ins are checked by attempting the plug-in calibration in different mainframe slots.

Time base and acquisition

The time base circuitry controls the sampling times and sequences for the various sweep speeds. The acquisition circuitry captures the peak levels on the bipolar pulse coming from the plug-ins. The self-test checks the sequence memory in the time base circuitry and the look through memory in the acquisition circuitry. If either of these tests fail, replace the board. The rest of the circuitry is verified by swapping the plug-in between slots and calibrating the plug-in in the different slots.

If the self tests continue to fail, reseal the assemblies in the motherboard connectors and retry the tests. If the tests still fail, replace the time base and acquisition assembly.

CPU

If the CPU self tests pass and the Display self tests pass, the CPU is tested to the 95% level. The only circuitry not tested with these tests are the interface/port drivers. These self tests can also be run by HP-IB if the color CRT module is not functioning. See "Run self tests by HP-IB" in the "No-Display Trouble Isolation" section.

If the self tests fail:

- 1 Remove the CPU and display board as a unit.
- 2 Reseat the ribbon cable between the two assemblies.
- 3 Reinstall the assemblies in the mainframe.
- 4 Retry the self-test.
- 5 If the self tests continue to fail, replace the CPU assembly.

Display

The Display self tests check the display board circuitry to a 90% confidence level. If any of the tests fail, try reseating the display and CPU assemblies as given in "CPU" above, and rerun the tests. If the test continues to fail, replace the display assembly.

Floppy Disk

The Floppy Disk self test checks that the disk drive can be accessed by the CPU. The self test verifies operation of the disk drive to a 90% confidence level. To check the disk drive to 100% confidence level, run the self test and format a disk. To format a disk:

- 1 Press the Disk key.
- 2 Set the **Operation** softkey to select **Format**, then press the **Enter** softkey.
- 3 Press the **Execute** softkey.

Front Panel

The Front Panel self test checks operation of the front panel keys and the RPG (knob). If there is a problem, check which keys are operating and refer to "Keyboard Trouble Isolation" for further procedures.

Though the front panel test is part of the list of the other self tests, it does not run when **test all boards** is run. To run the front panel test:

- 1 Press the Utility key, press the **self tests...** softkey, set the **Board** softkey to **front panel**.
- 2 Press the **Enter** softkey, then press the **Start** softkey.
- 3 Press each key and turn the knob.

If they function, each key will highlight when it is pressed and the knob symbol on the display will rotate.

- 4 When you see that everything works, press Stop/Single key until the test exits.

Power Supply Distribution

You can use the following information if the power supplies are being loaded excessively and you need to know which supplies are used on each assembly.

General Supply Distribution

The power supplies to the assemblies shown in the table below are distributed through the motherboard; shading indicates use. Two other supplies are noted in following paragraphs.

Power Supply Distribution

Assembly	Supplies ¹							
	-17	-6.7	DGND	AGND	+5.1	+6.7	+15	+17
() Motherboard connector								
(J1) Time base Acquisition								
(J4) Display								
(J5) CPU								
(J9) Disk Control								
(J10-J13) Plug-ins								
Disk Drive ²								
Front Panel ^{2,3}								

¹ All supplies listed in the table come from the Power Supply assembly (see note 2).

² The supply for this assembly comes through the Disk Control assembly.

³ A +12-Vdc supply, used exclusively for the Background and Brightness controls, comes from the color CRT module through the motherboard and goes to the Front Panel assembly.

Fan Supply

The rear fan is connected directly to the power supply assembly. The front fan is connected to the same supply but through the motherboard. The power supply detects fan rotation so if a fan is not connected, the power supply will not be allowed to come up and the instrument will not function. The fans are connected to a +24 V supply, which can vary between +11 V and +27.5 V depending on the temperature within the instrument.

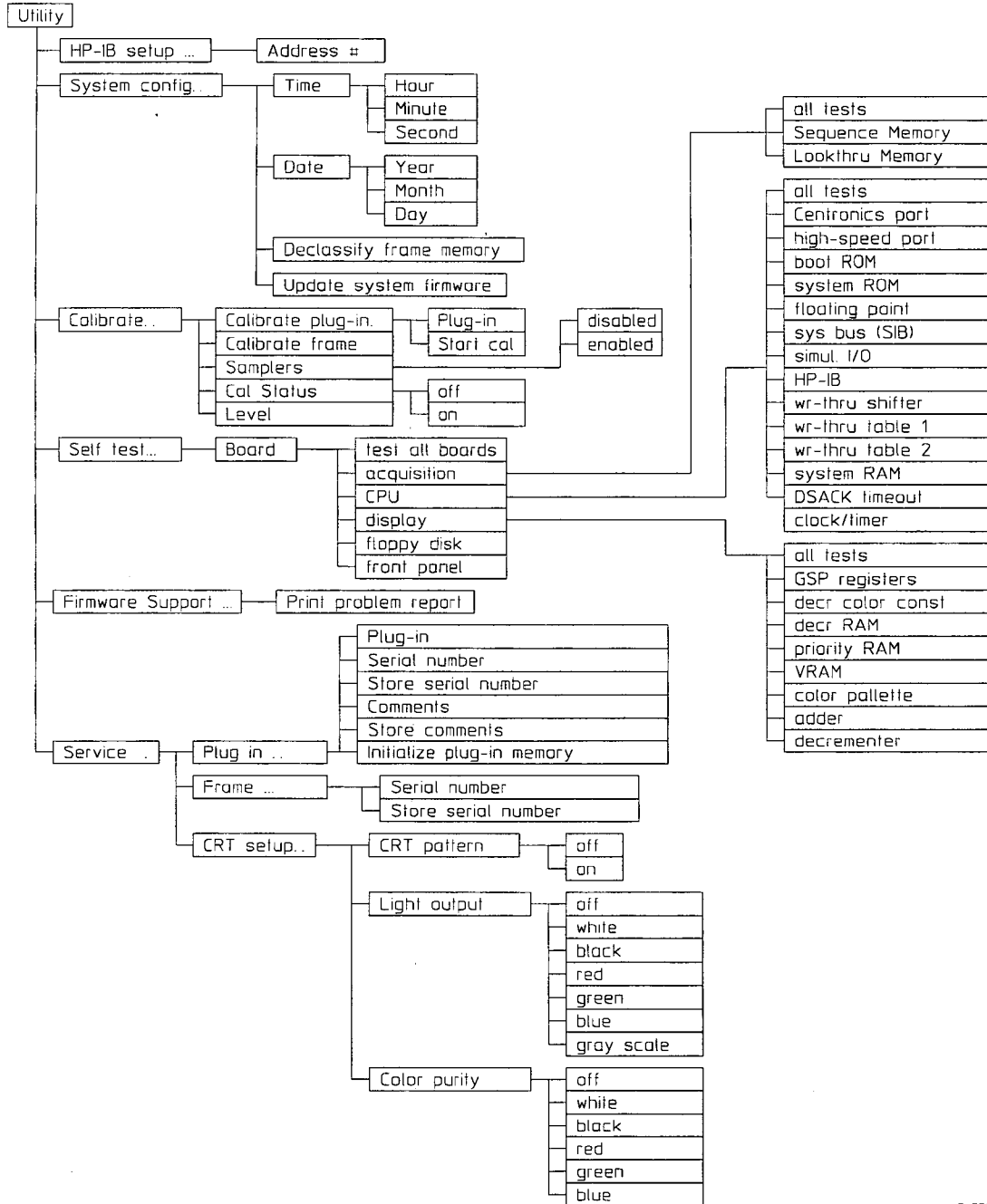
Color CRT Module Supply

The Color CRT Module is powered by a separate supply from the power supply assembly. This +120 Vdc supply is not distributed to any other assemblies. The +120 V supply is distributed through the motherboard.

Power Standby Switch

The front panel power switch operates as a remote control for the regulators in the power supply. To shut the supplies Off, the switch grounds a control line from the supply.

With the rear panel switch set to on and the front-panel switch set to Standby, mains power is still applied to the power supply. The AC IN LED (red) should be lit. Power supply status LEDs are visible near the top-middle of the right side of the instrument. See the figure on page 5-11.



5475080E

Utility Menu

The utility menu provides six additional softkey menus: HP-IB setup, System configuration, Calibrate, Self tests, Firmware support, and Service.

HP-IB Setup

You may have several instruments connected by a common bus to a computer or controller. Each instrument on the bus has a separate identifying address, so that the computer or controller can communicate with only one instrument at a time. The HP-IB setup menu lets you select an address from 0 to 31. The address number you select is the address that a computer or controller uses to communicate with the instrument. The default HP-IB address for instruments is 7.

System Configuration

The system configuration menu gives you information about the mainframe and plug-ins. It allows you to set the date and time on the instrument clock. It also allows you to update the system firmware and to declassify the memory in the mainframe.

System Configuration

		Frame		
Model	:	83480A		
Serial Number	:	3456A00101		
Calibration Memory	:	Unprotected		
Power On Test	:	Passed		
Firmware Revision	:	2.01675	Wed Mar 23 15:49:58 1994	
Boot Revision	:	1.1		
Application	:	none		

Slot	Board	Power Statistics
6	CPU	Total Pon Time : 903.51hrs
5	Display	Length Last Poff : 19.23hrs
4		Time Since Pon : 4.88hrs
3		Power Cycles : 299
2	Acquisition	
1		

Plug-ins				
Slot	Model	Serial #	Analog BW	Calibration Memory
1	83483A	1234A00101	20 GHz	Protected
2				
3	empty			
4	empty			

System config

Time

12:23:22

Date

17 MAY 1994

Declassify

frame
memory

Update

system
firmware

Exit

System Configuration

Frame

Model Number	Shows the model number of the mainframe.
Serial Number	Shows the serial number of the mainframe.
Calibration Memory	Shows the position of the Frame cal switch on the rear panel. This switch is for the memory in the mainframe that contains the calibration factors. This switch is normally set to the protected position.
Power On Test	Shows if the power-on self tests passed or failed. These power-on tests verify that the three boards are in the mainframe. A "Failed" message indicates that at least one board is loose or defective. The power-up routine is kept simple to enable the instrument to power up quickly. You can execute a more complete set of self tests from the self test menu.
Software Revision	Shows the revision number of the installed system firmware.
Boot Revision	Shows the boot ROM version in the mainframe. The boot ROM uncompresses files and loads new system firmware from the disk drive.
Slot and Board	Shows the rear slot number and the board (assembly) in each slot.
Power Statistics *	
Total Pon time	The total time that the instrument has run since it was manufactured.
Length Last Poff	The total time that the instrument was off the last time it was unpowered (On Standby or no mains power).
Time Since Pon	The total time that the instrument has run since the last time it was turned on.
Power Cycles	The number of times that the instrument has been turned on since manufacture.

Plug-ins

Slot	Shows the slot that the plug-in is installed in.
Model	Shows the model number of the plug-in. If there is no plug-in in a slot it reads "empty."
Serial number	Shows the serial number stored in the plug-in's nonvolatile memory.
Analog BW	Shows the maximum analog bandwidth of the plug-in and mainframe combination.
Calibration Memory	Shows the position of the memory protect switch in the plug-in.

* Power statistics are stored in battery-backed RAM on the CPU assembly. Loss of battery power or replacement of the CPU will cause loss of the statistics.

Time and Date

The instrument has a 24-hour clock and a calendar that it uses for all time references. It stamps the time and date on the following:

- Waveforms when they are acquired.
- Files stored to the disk drive.
- Waveforms transferred over the HP-IB.
- Waveforms that are printed. The print lists both the acquired time and the print time.
- Calibration events.

To change the time or date, press the **Time** or **Date** softkey, change the entry fields with the knob, arrow keys, or keypad (when using the keypad, press the Enter key before pressing the **Done** softkey), then press the **Done** softkey.

Declassify frame memory

Declassify the mainframe in situations when you are concerned about the security of your work. When you declassify the memory, no one can determine what you are working on by browsing through saved setups, waveforms, and displays. Declassifying places zeros in the RAM memory. This clears:

- Setup memories
- Waveform memories
- Pixel memories
- Front-panel setups
- Channel memories
- Function memories

The following memory is not affected.

- Normal mainframe calibration
- Plug-in calibration (located in the plug-in)
- Boot and system common variables
- Clock memory
- The part of display RAM that holds the firmware for the graphics processor

See Also

The *User's Reference* for the mainframe for more information about declassifying the mainframe.

Update system firmware

The operating system is located in the system ROM. The instrument does not need a disk in the disk drive in order to operate. The Update system firmware softkey loads new firmware.

To install system firmware:

- 1 Install the system disk in the disk drive.
- 2 Press the Utility key, press the **System config...** softkey, then press the **Update System firmware** softkey.

CAUTION

Check the display for any messages about the firmware or any special considerations before you continue. Failure to heed messages may result in incorrect operation of the instrument.

- 3 Press the **Continue** softkey.

See Also

To reboot the system firmware when there is a problem with the mainframe, see the "No Display Troubleshooting," specifically block L on page 5-15.

Calibrate

Calibration is covered in chapter 4.

Self Test

The self test menu is used for troubleshooting failures. With the self test menus you can test all boards, test all of one board, or individual tests on a board. Since this instrument is repaired by replacing entire boards (assemblies), failure of any board test requires replacement of the board.

Use of self tests is covered where applicable in the "Trouble Isolation" section.

See Also

"Interpreting Internal self tests" in "Trouble Isolation" in this chapter.

Firmware Support

If you press the **Firmware support...** softkey, the instrument displays an information screen and a choice of two forms. These forms are your way of communicating directly with the factory. Because both forms are stored in memory, you can print a copy of either form whenever you like.

To print one of the forms from the instrument:

1 Connect a printer to the instrument.

You can connect it to the Centronics port or the HP-IB port, depending on your printer.

2 Set up the print.

a Press the (blue) shift key, then press the Setup print key .

b Press each softkey in turn and make the appropriate selections.

3 Press the Utility key, press the **Firmware support...** softkey, then press the **Print problem report** softkey.

The instrument will automatically include the configuration information.

If a printer is not available, there are similar versions of the forms at the end of this chapter. Make a copy of the appropriate pages.

To display the instrument configuration information, press the Utility key, then press the **System config...** softkey.

Mail (or FAX) the form to the address (or phone number) on the firmware support display.

Problem report

The problem report can be used if you encounter a problem while using this instrument.

Service

The Service menu provides several service functions for the instrument. When you press the Service softkey, the display shows the instrument configuration (the same as in the system configuration menu) and several new softkeys.

Plug-in . . .

When you press the **Plug-in . . .** softkey, you can program the serial number of the plug-in or initialize the plug-in memory. The plug-in data is stored in flash EEPROM in the plug-in.

Store the plug-in serial number You need to restore the plug-in serial number if:

- It is not shown in the configuration.
- You replace the plug-in PC assembly.
- **To store the plug-in serial number:**
 - 1 Remove the plug-in cover and set the protect switch to **ENABLE**.
 - 2 Press the Utility key, press the **Service . . .** softkey, then press the **Plug-in . . .** softkey to select the desired plug-in.
 - 3 Press the **Serial number** softkey to display the alphanumeric list.
 - 4 Enter the serial number.
 - With the knob, highlight each character in turn and enter it by pressing the top softkey.
 - or
 - Enter numbers directly with the keypad and, highlight letters with the knob and enter them by pressing the top softkey.

Use the **Backspace** and **Delete** softkeys to help edit the number. You cannot insert a character.

 - 5 Press the **Done** softkey to return to the previous menu.
 - 6 Press the **Store serial number** softkey to store the number in the plug-in.
 - 7 If you do not have to recalibrate the plug-in, set the protect switch to **DISABLE** and replace the cover.

Store the plug-in comments You need to store the plug-in comments if:

- You wish to change the comments.
- You replace the plug-in PC assembly.
- **To store the plug-in comments:**
 - 1 Remove the plug-in cover and set the protect switch to **ENABLE**.
 - 2 Press the Utility key, press the **Service . . .** softkey, then press the **Plug-in . . .** softkey to select the desired plug-in.
 - 3 Press the **Comments** softkey to display the alphanumeric list.

4 Enter the comments.

- With the knob, highlight each character in turn and enter it by pressing the top softkey.
or

- Enter numbers directly with the keypad and, highlight letters with the knob and enter them by pressing the top softkey.

Use the **Backspace** and **Delete** softkeys to help edit the number. You cannot insert a character.

5 Press the Done softkey to return to the previous menu.

6 Press the Store Comments softkey to store the comments in the plug-in.

7 If you do not have to recalibrate the plug-in, set the protect switch to DISABLE and replace the cover.

Initialize the plug-in You need to initialize the plug-in if you replace the plug-in PC assembly.

• **To initialize the plug-in.**

Plug-in calibration will be lost when you initialize the plug-in.

- 1 Remove the plug-in cover and set the protect switch to ENABLE.**
- 2 Press the Utility key, press the Service... softkey, press the Plug-in... softkey, then press the Plug-in softkey to select the desired plug-in.**
- 3 Press the Initialize plug-in memory softkey.**
- 4 Recalibrate the plug-in.**
- 5 Set the protect switch to DISABLE and replace the cover.**

Frame ...

When you press the **Frame...** softkey, you can enter the mainframe serial number and model number.

Store the mainframe serial number The mainframe serial number has the same status as the calibration factors. You need to restore the mainframe serial number if:

- You replace the CPU assembly.
 - The battery fails.
- **To store the mainframe serial number:**
- 1 Go to the instrument rear panel and set the frame cal protect switch to the Unprotected position.**
 - 2 Press the Utility key, press the Service... softkey, then press the Frame... softkey.**
 - 3 Press the Serial number softkey to display the alphanumeric list.**
 - 4 Enter the serial number.**
 - With the knob, highlight each character in turn and enter it by pressing the top softkey.
or
 - Enter numbers directly with the keypad, and highlight letters with the knob and enter them by pressing the top softkey.
- Use the **Backspace** and **Delete** softkeys to edit the number. You cannot insert a number.
- 5 Press the Done softkey to return to the previous menu.**

6 Press the **Store serial number** softkey to store the number.

7 If you do not have to recalibrate the mainframe, set the protect switch to the Protected position.

CRT setup . . .

When you press the **CRT setup . . .** softkey you are given several choices of special displays. These displays are used to adjust the Color CRT Module and check color purity. Use of these displays is covered in "Adjusting the Color CRT Module" in chapter 4.

Problem Report Form

Your Name _____ Job Title _____
Company Name _____ Division _____
Telephone:Area/Country Code _____ Phone Number _____
Street Address _____ FAX Number _____
City _____ Prov/State _____ Mail Stop _____
Postal/Zip Code _____ Country _____ Department _____

Date _____
Problem Report Classification
_____ Hardware/Mechanical _____ Documentation
_____ Software/Firmware _____ Remote Programming
_____ Suggested Enhancement

Problem Description _____

System Description (Remote controller, Software, Printer, Cables) _____

Your current configuration is:

Mainframe model no. _____ Serial no. _____ Software revision _____
Plug-in 1 model no. _____ Serial no. _____
Plug-in 3 model no. _____ Serial no. _____

How would you prefer to be contacted?

_____ Mail _____ FAX _____ Phone _____ Your local HP sales representative

Return this form to Hewlett-Packard

By Mail: Hewlett-Packard Company (719) 590-3505
Colorado Springs Division
Software Notification Manager
P.O. Box 2197
Colorado Springs, Colorado, 80901-2197 USA

To return the instrument to HP for service 6-3

A Brief Order of Procedures 6-4

To remove and replace

Front panel 6-5

Keyboard 6-6

RPG 6-7

Front fan 6-8

Disk drive assembly 6-9

Disk drive 6-9

Disk drive control 6-10

Rear panel 6-11

Power supply 6-11

CPU and display assemblies 6-12

Time base and acquisition assembly 6-12

Color CRT module 6-14

Motherboard 6-17

Rear fan 6-19



Replacing Assemblies

Procedures in this chapter should be used when removing and replacing assemblies and parts in the instrument.

Safety

Read the safety information at the back of this manual before servicing the instrument. Before performing any procedure, review it for cautions and warnings.

WARNING

Maintenance should be performed by trained service personnel aware of the hazards involved (for example, fire and electric shock). When maintenance can be performed without power applied, the power cord should be removed from the instrument. Lack of training and awareness of the hazards could result in electrical shock.

ESD Precautions

Use proper ESD precautions when using any of the procedures in this chapter. As a minimum, place the instrument on a properly grounded ESD mat and wear a properly grounded ESD wrist strap. Failure to take ESD precautions can cause immediate or potential failures in the instrument.

Tools Required

The following tools are required for these procedures. This instrument uses SMC connectors that require either a 6-mm or 1/4-inch wrench. Both connector types may be used in the instrument.

- Torx drivers: T10, T15, T20
- Nut Drivers: 5/16, 7/16
- Pozidrive screwdriver: #1
- Torque wrench, 0.565 Nm (5 in-lbs), 8 mm (5/16-inch) open end

Instrument Structure

The instrument is built from a welded steel cabinet with four closed sides. All assemblies are inserted from the front or the rear. At the front, behind the front panel, there are separate internal compartments for the plug-ins, color CRT module, and the front fan and disk drive. At the rear, behind the rear panel, one compartment encloses the rear fan and another comprises the card cage which holds the power supply, digital control system, and acquisition system. A motherboard, located between the plug-ins and card cage, is the main connection between the front and rear of the instrument.

To return the instrument to HP for service

Before shipping the instrument to Hewlett-Packard, contact your nearest HP sales office for additional details.

1 Write the following information on a tag and attach it to the instrument.

- Name and address of owner
- Instrument model numbers
- Instrument serial numbers
- Description of the service required or failure indications

2 Remove all accessories from the instrument.

Accessories include all cables. Do not include accessories unless they are associated with the failure symptoms.

3 Protect the instrument by wrapping it in plastic or heavy paper.

4 Pack the instrument in foam or other shock absorbing material and place it in a strong shipping container.

You can use the original shipping materials or order materials from an HP sales office. If neither is available, place 8 to 10 cm (3 to 4 inches) of shock-absorbing material around the instrument and place it in a box that does not allow movement during shipping.

5 Seal the shipping container securely.

6 Mark the shipping container as FRAGILE.

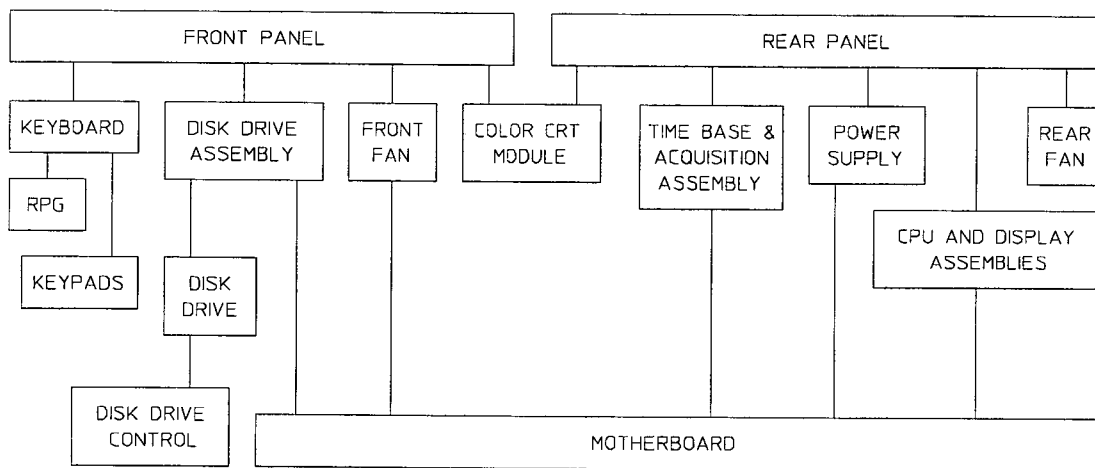
In any correspondence, refer to the instrument by model number and full serial number.

A Brief Order of Procedures

In general, the procedures that follow have been placed in the order they must be used to remove a particular assembly. That is, given first are the procedures for assemblies that must be removed first. The figure below shows the general flow of procedures (from top to bottom) to remove assemblies.

CAUTION

Do not remove or replace any circuit board assemblies in this instrument while power is applied. The assemblies contain components which may be damaged if the assembly is removed or replaced while the instrument is powered.



54750B07

Assembly Removal Flow Diagram

To remove and replace the front panel

Removing the front panel exposes all assemblies located in the front compartments.

To Remove

Plug-ins may have been calibrated to specific slots. Record which plug-in is in each slot, so you can return the instrument to its original calibrated condition.

- 1 Remove the plug-ins.
- 2 Remove all cables from the rear panel.
- 3 Place the instrument on its left side (as viewed from the front).
- 4 On the bottom of the front panel, remove the four 8-mm flat-head screws that hold the plug-in latches.
You may need to temporarily remove the right-front foot to remove the right side screw. Replace the foot after removing the screw.
- 5 Place the instrument in its normal operating position.
- 6 Remove the three 12-mm flat-head screws at the trim strips on each side of the front panel.
- 7 Pull the front panel off.
If you don't need to disconnect the panel, you can place it on top of the instrument.
- 8 To remove the keyboard cable, squeeze the metal tabs on the ends of the cable connector and pull the connector out of its receptacle.
When replacing the connector, make sure the metal tabs have latched in the keyboard connector.

To Replace

- To reassemble, reverse the above procedure. However, make note of the following:
 - Make sure the metal tabs of the keyboard cable connector have latched in the keyboard connector.
 - The plug-in guides must be inserted into holes in the back of the front panel. It may be helpful to set the instrument on its back feet while aligning the front panel.
 - While tightening the plug-in latches, hold them straight so the plug-in latching screws will align properly.

CAUTION

- c Lift the PC board off the holding tabs.

Be careful not to contaminate the key side of the PC board or the keypads. Dust and fingerprints on these parts may cause intermittent key operation.

- 6 Remove the keypads if necessary.

To Replace

- 1 Make sure the keypads are clean and in their correct locations. They are positioned by holes in the pad and pins in the front panel.

If they look contaminated, clean them with isopropyl alcohol and a lint-free cloth.

- 2 Make sure the RPG is correctly installed on the keyboard.

- 3 Make sure the key side of the keyboard is clean.

If the key side of the keyboard is dirty, clean it with isopropyl alcohol and a lint-free cloth.

- 4 Check the green LEDs. They should be straight and perpendicular to the PC board.

- 5 Install the PC board.

For these steps use the finger recess at the bottom of the keyboard.

- a Place the keyboard over the holding tabs.

- b Put your thumb in the finger recess and your first finger at the bottom of the panel.

- c To make the PC board slide under the holding tabs, press it gently with your free hand at the points marked "Press to Install." Press first at the power switch, then near the RPG. Simultaneously, squeeze your thumb and finger to slide the PC board toward the bottom of the panel.

- d If the PC board will not slide, make sure it has dropped over all of the holding tabs.

- e Make sure the PC board has dropped over the locating pins.

- f Install the self-tapping screws in the corner of the PC board.

- 6 Place the lockwasher over the RPG bushing.

Place it on the bushing with the cupped (concave) side toward the panel.

- 7 Install the RPG nut and tighten.

- 8 Install the knob.

To remove and replace the RPG

The RPG (rotary pulse generator) is driven by the front-panel knob.

- 1 Remove the front panel from the instrument.

- 2 Remove the keyboard from the front panel.

- 3 Remove the spacer nut from the RPG bushing. It should be only finger tight so the RPG bushing can align with the hole in the panel.

- 4 Disconnect the cable and remove the RPG.

- 5 To install the RPG, reverse the procedure.

To remove and replace the front fan

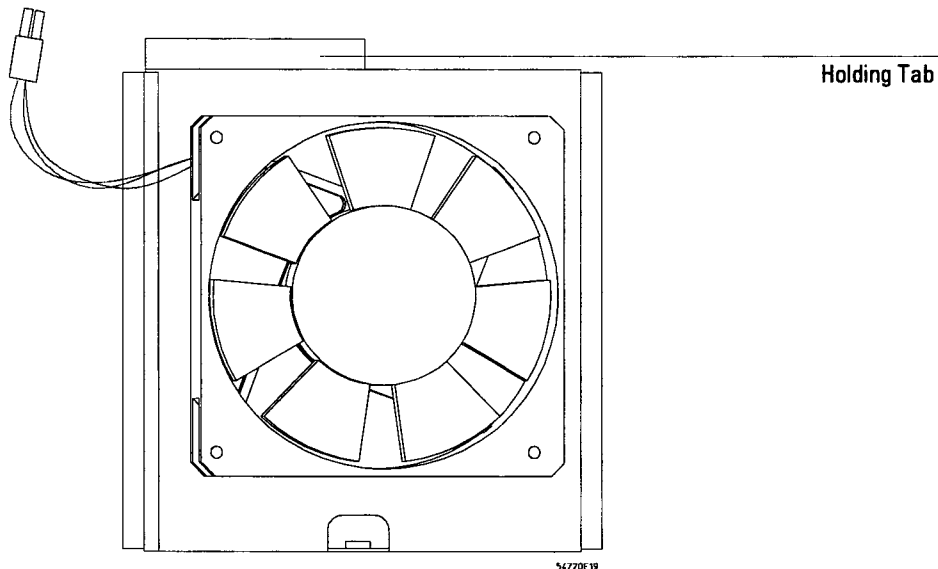
The front fan is mounted on a bracket above the plug-ins. The fan power cable plugs into the motherboard at the rear of the fan compartment.

To Remove

- 1 Remove the front panel, but do not disconnect the keyboard cable. Lay the front panel on top of the instrument.
- 2 Remove the top plug-in guide.
Press up on the large locking tab at the rear of the plug-in guide and pull the guide out.
- 3 Use a T15 driver to remove the screw at the front of the fan bracket.
- 4 Push the fan bracket down at the front and slide the assembly down and out.
- 5 Disconnect the fan cable.
Squeeze the locking tab on the top of the connector and pull the connector out.
- 6 To remove the fan from the bracket, remove the four 8-mm screws.

To Replace

- 1 Place the fan on the raised side of the bracket so that the airflow is down and the cable is on the left rear corner as shown in the figure below.



Front Fan Alignment

- 2 Install the four 8-mm screws.
- 3 Place the fan assembly into the plug-in compartment and connect the cable.
- 4 With the assembly sloping up at the back, slide it up and in so the holding tab (see figure) is above the ledge at the back of the compartment.
- 5 Raise the front end of the assembly into place.
- 6 Install the T15 pan-head screw at the front of the bracket.
- 7 Install the plug-in guide.
- 8 Install the front panel.

To remove and replace the disk drive assembly

The disk drive assembly includes the disk drive, disk drive control board, and the mounting bracket. It plugs into a connector at the rear of the fan compartment. The keyboard cable plugs into the disk drive control board.

To Remove

- 1 Remove the front panel, but do not disconnect the keyboard cable. Lay the front panel on top of the instrument.
- 2 Remove one screw that fastens the front strut of the disk drive bracket to the cabinet.
- 3 With a slight side-to-side motion, pull on the disk drive bracket strut and pull the assembly out.
- 4 Disconnect the keyboard cable at the disk drive control board.

To Replace

- 1 Connect the keyboard cable.
You must squeeze the metal locking tabs on the side of the connector while inserting it.
- 2 Slide the assembly most of the way into the cabinet.
- 3 Lift the back of the assembly to locate the connector into the motherboard connector.
- 4 Push on the strut or sides of the disk drive assembly to seat the connector.
- 5 Install the screw at the strut.
- 6 Install the front panel.

To remove and replace the disk drive

The disk drive is held by four screws.

- 1 Remove the disk drive assembly.
- 2 Remove four screws on the bottom of the disk drive assembly.
- 3 Separate the disk drive from the bracket slightly, and disconnect the cable from the disk drive.

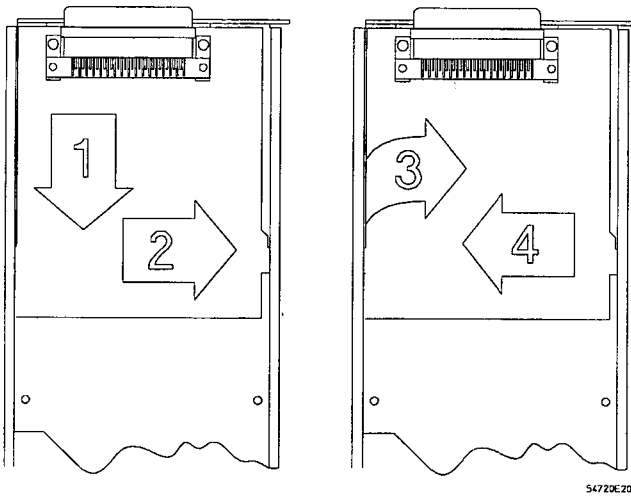
The cable is soldered to the disk drive control board.

- 4 To install the disk drive, reverse the procedure.

To remove and replace the disk drive control

The disk drive control is secured to the disk drive assembly by two tabs at the end near the disk drive and two screws at the connector.

- 1 Remove the disk drive assembly from the cabinet and the disk drive from the assembly.
- 2 Remove the two flathead pozidrive screws at the sides of the large connector.
- 3 Remove the PC board by moving it as shown by the four steps in the figure below.



Disk Drive Control Removal

- 4 To install the board, reverse the procedure.

To remove and replace the rear panel

Removing the rear panel provides access to the digital and acquisition systems and rear fan.

- 1 Remove the power cord and other cables.
- 2 Remove the four rear feet. Each has a screw and flat washer.
- 3 Remove the two screws that hold the cover over the fuse.
- 4 Remove the two large screws just above and on either side of the parallel printer port.
Do not confuse these screws with the hex standoffs used to secure a printer cable.
- 5 Remove the two screws on either side of the trigger output connector.
- 6 To remove the cover, use a flat tool to gently pry at the corners.
- 7 To install the cover, reverse the procedure.

To remove and replace the power supply

CAUTION

If you will be installing a new supply you must check that the fuse on the new supply is appropriate for the line voltage that you will be using. The wrong fuse may not protect the instrument properly. The fuse requirement is different for 100 V, 115 V, and 230 V operation. Refer to the Replaceable Parts list for the correct fuse rating and part numbers.

To Remove



- 1 Remove the rear panel.
- 2 Disconnect the rear fan cable from the connector at the side of the power supply.

Consult the illustration on the inside of the rear panel.

- 3 Remove the two screws at the lower corners of the supply.

WARNING

SHOCK HAZARD!

Do not touch the PC board or components until you are sure there is no danger. The charge on the capacitors can be lethal, even after power has been removed. Contact with charged capacitors can result in serious shock or death.

- 4 Slide the supply out of the frame.

Grip the supply at the recesses on each side of the rear panel of the supply.

To Replace

- 1 To reinstall the supply, reverse the above procedure.

Slide the supply in gently to make the connection with the motherboard without bending connector pins.

- 2 If you have installed a new supply, make the following checks.

- Check that the line voltage selection is set properly.

To change the selection, remove the line voltage switch cover, turn it 180 degrees and reinstall it. The switch will change when the cover is reinstalled.

- Check that the correct fuse is installed.

The fuse requirement is dependent on the line voltage being used: 100 V, 115 V, or 230 V. Refer to the Replaceable Parts list for the correct fuse rating and part numbers.

To remove and replace the CPU and display assemblies

The CPU and display assemblies are in the rear card cage, the second and third assemblies from the top. The display assembly is just below the CPU.

The CPU and display assemblies are connected by a short cable near the rear of the assemblies. Both assemblies must be partially removed before they can be separated.

CAUTION

Use proper ESD safety precautions. Failure to use proper ESD precautions can result in damage to the instrument.

To Remove

- 1 Remove the rear panel.
- 2 Disconnect the display cable (large ribbon cable) at the display assembly.
Push to the side the clamps on either side of the cable connector and the connector will slide out of the socket.
To get it out of the way, temporarily tuck the cable into the area beside the fan.
- 3 Remove four screws, two at either side of the CPU and display assemblies.
- 4 One at a time, and with a slight side-to-side motion, slide each assembly out until they just release at the front connector.
- 5 Slide the assemblies out together about 7 cm (3 inches).
- 6 Disconnect the ribbon cable at the center rear of the CPU.
Push to the side the clamps on either side of the cable connector and the connector will slide out of the socket.
- 7 Push the cable through the opening in the CPU assembly and remove the desired assembly.

To Replace

- 1 To reinstall the assemblies, reverse the procedure.
Slide the assemblies in gently to make the connection with the motherboard without bending connector pins.
- 2 If you have installed a new CPU or have had a battery problem, load the correct model operating system software, and recalibrate the mainframe. The calibration factors are stored on the CPU assembly.
- 3 Install the correct firmware for the model number and option.
- 4 Install the correct serial number and model number.

To remove and replace the time base and acquisition assembly

The time base and acquisition assembly is in the rear card cage, the bottom assembly.

Use proper ESD safety precautions. Failure to use proper ESD precautions can result in damage to the instrument.

CAUTION

Use the correct wrench on SMC connectors. This instrument uses SMC connectors that require either a 6-mm (15/64-inch) or 1/4-inch wrench. Using a wrench that is too large may damage the connector.

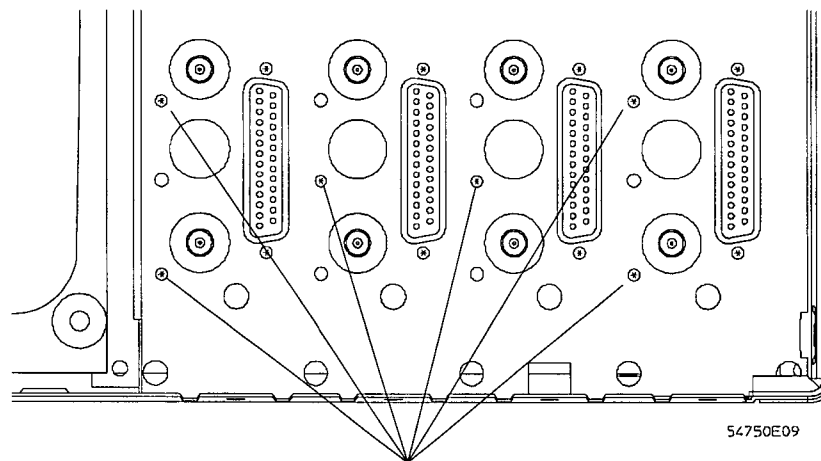
CAUTION

To Remove

- 1 Remove the plug-ins.
- 2 Remove the rear panel.
- 3 Remove the hole plug from the bottom of the mainframe cabinet.
- 4 Disconnect the display cable (large ribbon cable) at the display assembly.
Push to the side the clamps on either side of the cable connector and it will slide out of the socket. To get the cable out of the way, temporarily tuck it into the area beside the fan.
- 5 Disconnect the CAL cable.
Use a 6-mm (15/64-inch) or 1/4-inch (as required) open-end wrench to disconnect the SMC connector and long-nose pliers to disconnect the wire connectors.
- 6 Disconnect the auxiliary load cable connector from the rear of the time base and acquisition assembly.
- 7 Remove 6 screws that hold the front of the time base and acquisition assembly in the mainframe.

These screws are accessible through the plug-in compartment. See the figure below

These screws have a plastic "patch lock" that comes off the threads when the screws are removed. If you use new screws when you replace the assemblies, it ensures the assemblies stay secure. For the part number, see the parts views and replaceable parts list in chapter 7.



Remove these six screws

Time base and acquisition Mounting Screws

- 8 Remove the time base and acquisition assembly from the instrument.
Be sure that all cables are out of the way, so that the time base assembly and cables do not get damaged.

To Replace

- 1 To install the time base and acquisition assembly, reverse the removal procedure.
Slide the assembly in gently, to make the connection with the motherboard without bending connector pins.
- 2 Recalibrate the mainframe.

To remove and replace the color CRT module

The color CRT module is in a compartment by itself and does not need to be removed to replace any other assembly.

If you are replacing a failed color CRT module, you will have to move several parts from the failed module to the new one.

To Remove the Module

When necessary, use other procedures in this chapter to help remove the various assemblies.

- 1 Remove the rear panel.
- 2 Disconnect the ribbon cable from the display assembly.
- 3 Remove the ribbon cable from the clips that hold it in the rear fan compartment.
- 4 Remove the front panel and disconnect the keyboard cable at the keyboard.
- 5 Turn the instrument onto its left side (same side as the color CRT module).
- 6 Remove the two pan-head screws and washers, about half-way back on the bottom of the cabinet.
These screws secure the color CRT module rear bracket.
- 7 Remove the two pan-head screws on the bottom of the cabinet, near the front.
- 8 Turn the instrument so that it is again right side up.
- 9 Remove the two pan-head screws on the top of the cabinet, near the front.
- 10 Slide the module part way out of the cabinet, until you can reach the power cable on the right side of the module.
- 11 Disconnect the cable at the module and remove the module from the instrument.

To Exchange Parts Between Modules

If you are installing a new or rebuilt module, you need to move several parts from the old module to the new one.

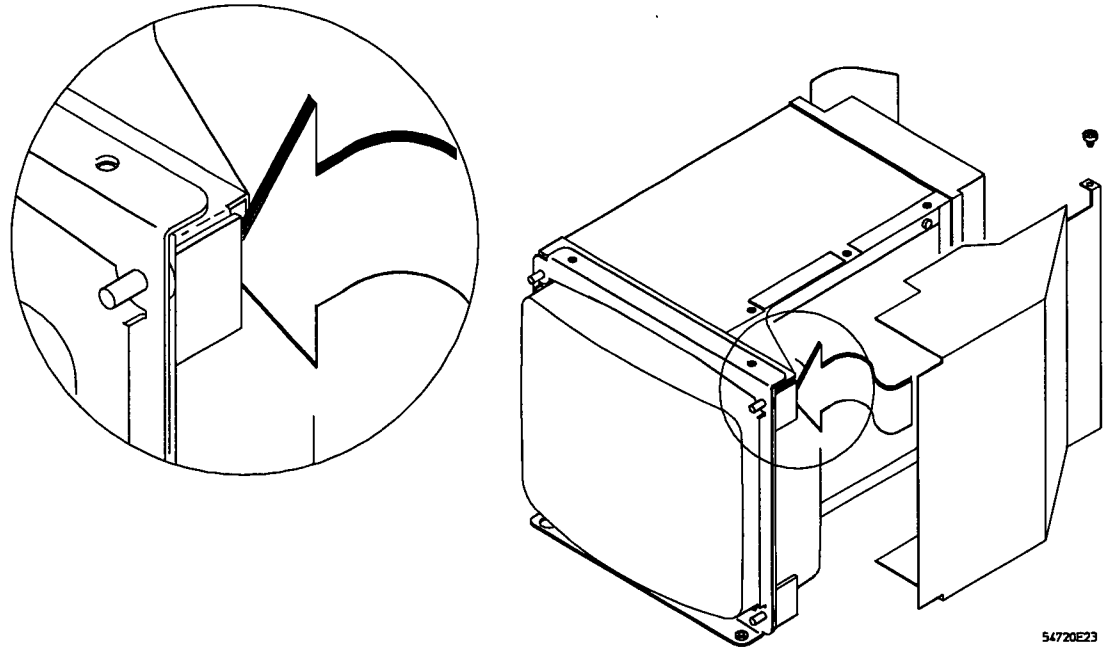
The shields and rear bracket are attached to the module with self-tapping screws. If your replacement module is a new one, the screws will tap the holes when they are installed. If the replacement module is a rebuilt one, the holes may be already tapped. Start the screws carefully so they do not cross thread the holes.

1 Move the shields.

The left shield fits around the top, left, and bottom of the module. The right shield is angled and covers the right side of the module.

- a Remove one screw from the upper-right rear of the module.
Note how tabs on the shield tuck into the front of the module frame and how the shields overlap each other at the top and bottom joints.
- b Swing the rear of the right shield away from the module and slide the front tabs out of the module frame.
- c Disconnect the cable from the module at the two places on the PC board.
- d Remove five screws from the left shield.
- e Remove the left shield and place it around the new module.
Overlap the joint between the shields as they were on the old module.
- f Install the five screws but do not tighten them at this time.

- g** Take the right shield and connect the cables to the proper places on the PC board.
One connector has four pins and the other has five.
- h** Hold the shield at an angle and slide the front tabs of the shield about 15 mm (9/16 in) into the two slots on the module frame. (See the figure below. The bottom is the same as the top.)



Installing the Right CRT Module Shield

- i** As you swing the rear of the shield toward the module, make sure the cables do not get caught between the shield and frame.
 - j** Install the screw. Reposition the shield if the screw hole does not line up properly.
 - k** Tighten the five screws of the left shield.
- 2** Move the front mounting bracket.
- a** Remove four 5/16 nuts from the studs at the front of the replacement module.
 - b** Remove the two angle rails; one is between the left pair of studs and one is between the right pair. Set the rails aside.
 - c** Note the position of the front bracket on the failed module.
 - d** Remove the four 5/16 nuts from the front of the failed module.
 - e** Transfer the front bracket to the same position on the replacement module.
 - f** Install four 5/16 nuts on the replacement module and tighten them.
 - g** Install and tighten the two angle rails and 5/16 nuts on the failed module.
- 3** Note the position of the rear mounting bracket on the failed module, then remove it.
- 4** Remove the ribbon cable from the failed module (push the connector clamps to the side), and install it on the replacement module.
- 5** With the two screws and washers, install the rear bracket loosely on the replacement module.
- The bracket should be able to move only slightly. It will be tightened when the module is installed in the instrument.

To Replace the Module

- 1 Set the instrument frame in its normal operating position.
- 2 Position the module in front of the mainframe and thread the ribbon cable into the slot at the bottom rear of the compartment. Make sure that it is not twisted.
- 3 Slide the module part way into the mainframe and connect the power cable to the connector on the right side of the module.
- 4 Slide the module into the mainframe. Pull the ribbon cable through the mainframe as the module slides in.

Take care not to get the ribbon cable or power cable caught between the module and mainframe. If the power cable connector gets caught between the module and frame, the module may not get positioned correctly.

- 5 Install, but do not tighten, two screws in the oblong holes in the depressions at the top-front of the instrument cabinet.
- 6 Connect the keyboard cable to the front panel and install the front panel on the mainframe.
- 7 Place the instrument face down on the table with the left side (color CRT module side) toward you.

Use a couple of books under the left and right sides of the front panel so the instrument is stable and does not sit on the knob or the calibrator connectors.

In the next steps, the object is for the weight of the color CRT module to push it against the back of the front panel, so there is a minimal gap between the CRT and the panel.

- 8 Install, but do not tighten, two screws in the oblong holes in the depressions at the bottom-front of the instrument cabinet.
- 9 At the module rear bracket and on the cabinet bottom are two rectangular holes with a large round hole between them. Install, but do not tighten, two screws with washers at the rectangular holes.

There is a small hole in the rear bracket, aligned with the large round hole. A pointed device can be used in the small hole to move the module bracket to insert the screws or position the module so it rests properly in the cabinet.

- 10 Tighten all of the hardware in the following sequence.
 - a Tighten the screws at the front of the instrument, those that fasten the front bracket of the module.
 - b Ensure that the rear module bracket is flush with the inside bottom of the cabinet (bottom screws are still loose).
 - c Through the two holes in the left side of the cabinet, tighten the screws that fasten the rear bracket to the module.
 - d Tighten the two rear bracket screws on the bottom of the cabinet.
- 11 Set the instrument on its bottom, look at the front, and ensure that the CRT is flush with the front panel.

If the CRT is not flush, put the instrument back on its front panel, loosen the hardware, use the access holes (side and bottom) to reposition the module, then retighten the hardware in the sequence in step 10.

To remove and replace the motherboard

The motherboard is located between the plug-in compartment and the card cage. It connects the card cage assemblies and the plug-ins.

1 Disassemble the instrument.

- a Remove the power cord and plug-ins.
- b Remove the front panel, but leave the keyboard cable connected.
- c Remove the disk drive assembly and carefully set it on top of the front panel. You do not need to disconnect the keyboard cable.
- d Remove the front fan assembly.
- e Remove the following assemblies in order. When you start with the power supply procedure, the other procedures follow in sequence in this chapter.
 - Power supply
 - CPU and display assemblies
 - Time base and acquisition assembly

2 Remove and replace the motherboard.

The cable that provides power to the color CRT module is connected to the front of the motherboard. You must move the motherboard carefully until you can disconnect this cable from the rear. Otherwise, you will have to remove the color CRT module as well. Read all of the following steps before proceeding.

- a Remove the screws that hold the motherboard. See the figures on the next page.

Three things have to be considered as the motherboard is removed.

 - Three tabs on the right side of the motherboard (as viewed from the rear of the instrument) fit in slots in the cabinet.
 - Eight plug-in locating pins protrude from the motherboard through the bulkhead panel.
 - The color CRT module power connector also protrudes through the bulkhead panel.
- b Swing the left side of the motherboard toward the rear until the locating pins clear the bulkhead panel.
- c As the locating pins clear, you will be able to move the motherboard to the left slightly to clear the tabs from the slots.
- d When the tabs are free, pull the motherboard back until the connector clears the bulkhead panel, then swing the motherboard against the right side of the card cage.
- e Squeeze the connector locking tab at the top, and disconnect the color CRT module power cable from the upper corner of the motherboard. Do not allow the cable to fall through the opening in the bulkhead panel.
- f If you are installing a new motherboard, use the following steps to move the torroidal springs to the new board.

CAUTION

Handle the springs carefully and follow the instructions. The effect of these grounding springs is very significant, and they require care in installation. Improper installation may cause poor operation of the instrument.

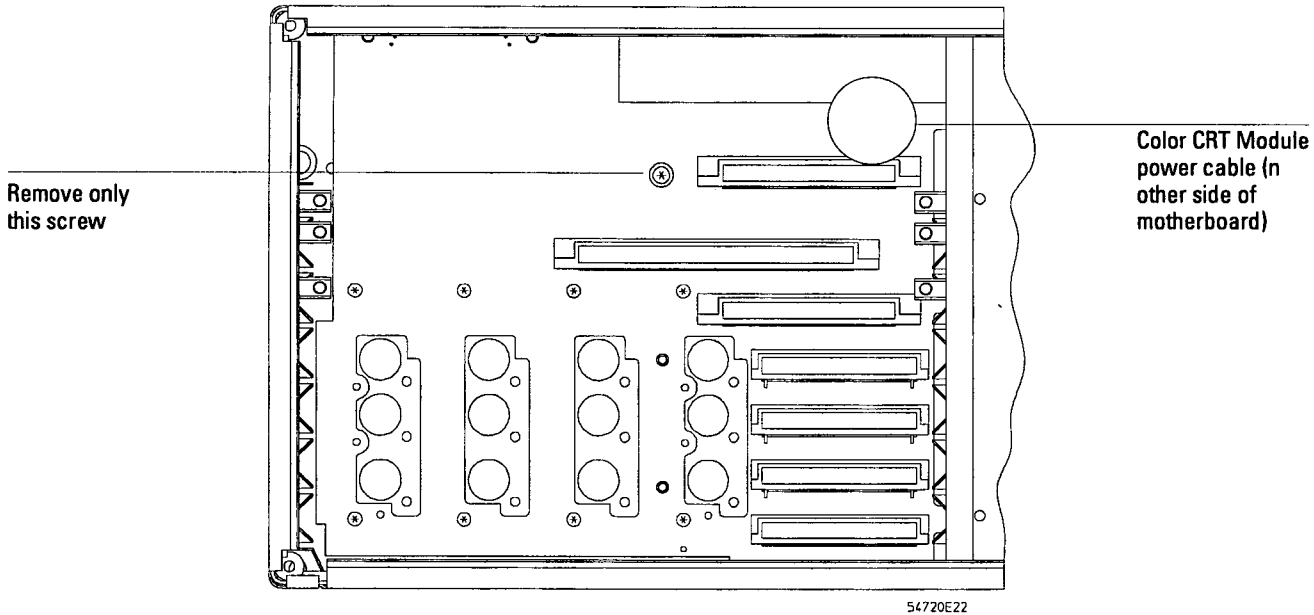
- 1 One at a time, carefully remove the springs from the posts on the old motherboard and slide them half way down the posts on the new motherboard.

Replacing Assemblies
To remove and replace the motherboard

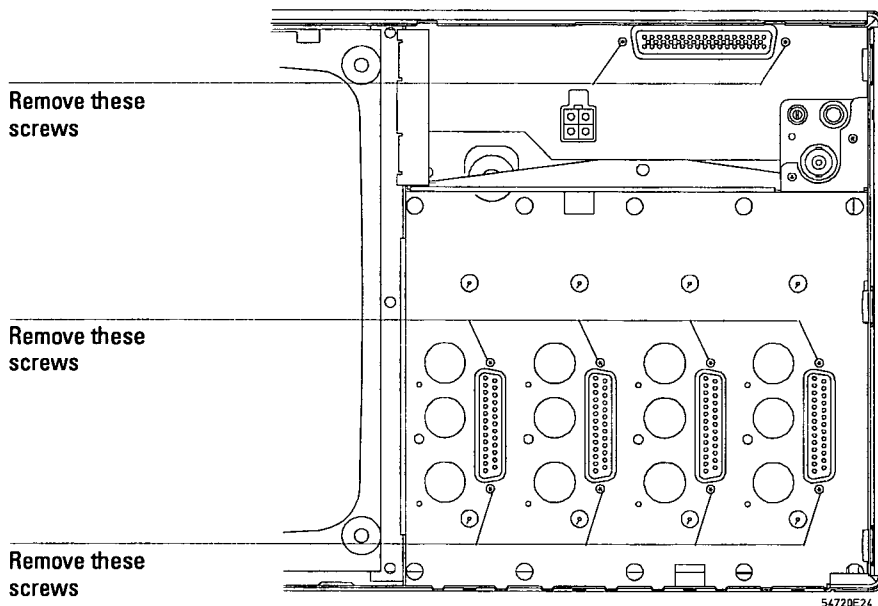
CAUTION

If you try to push the springs all of the way on with your fingers, they will roll and may be out of position when they come to rest on the shoulder of the pin. If they are out of position they may be crushed when the motherboard is installed or may make insufficient contact between the motherboard and the bulkhead panel, causing poor grounding.

- 2 Use the rear end of a plug-in as a tool to slide the springs down the posts. Fit the plug-in over a pair of posts, as if you were going to plug it into the motherboard, and push it until the bus connector fully mates in the motherboard.
- 3 To reassemble the instrument, reverse the procedure.
Follow the appropriate steps in all procedures.



Rear Motherboard Mounting Screws



Front Motherboard Mounting Screws

To remove and replace the rear fan

The rear fan does not need to be removed to remove any other assemblies.

To Remove

The fan bracket is held in the cabinet by two pins at the front and by two screws at the rear mounting tabs.



- 1 Remove the rear panel.
- 2 Disconnect the rear fan cable from the connector at the side of the power supply.
Consult the label on the inside of the rear panel. Note the routing of the fan cable.
- 3 Disconnect the auxiliary load cable from the rear of the time base and acquisition assembly
- 4 Remove the two screws that hold the fan bracket at the top and bottom.
- 5 Pull the fan assembly straight back about 1 cm (3/8 in) until it clears the pins at the front of the fan compartment.
- 6 Rotate the fan assembly counterclockwise until it clears the rear mounting tabs and you can remove it completely.
- 7 Remove three screws to remove the fan from the bracket.

To Replace

- 1 Mount the fan on the bracket.
 - a Place the fan bracket on the table with the largest right-angle bend down and on the left.
 - b Place the fan on the bracket with the cable at the lower left and take note that the fan rotation is clockwise and that the air flow is down.
Airflow and rotation are marked on the side of the fan.
 - c Install three screws on left side, upper right, and lower right.
 - d Check that the temperature sensor is tied at the right-side hole, away from the fan bracket.
- 2 Install the fan in the instrument.
 - a Slide the fan and bracket into the cabinet with the fan to the right of the bracket.
Tilt the fan and bracket counterclockwise so that it clears the top mounting tab to the left and the bottom mounting tab to the right (as viewed from the rear).
 - b When the assembly is about 1 cm (3/8 inch) out of the cabinet, rotate it clockwise to line up with the front pins and rear tabs, then slide it the rest of the way into the cabinet.
 - c Install two screws at the rear mounting tabs.
 - d Connect the fan cable to the power supply.
 - e Connect the auxiliary load cable to the rear of the time base and acquisition assembly
- 3 When you turn on the instrument, check that the airflow is from the outside, going into the cabinet.
- 4 Install the rear panel.

Ordering Replaceable Parts 7-2
Exploded Views 7-3
Replaceable Parts List 7-8

Replaceable Parts

This chapter includes information for ordering parts. Service support for this instrument is replacement of parts to the assembly level. The replaceable parts include assemblies and chassis parts.

Ordering Replaceable Parts

Listed Parts

To order a part in the parts list, quote the HP part number, indicate the quantity desired, and address the order to the nearest HP sales office.

Unlisted Parts

To order a part not listed in the parts list, include the instrument model number, instrument serial number, a description of the part (including its function), and the number of parts required. Address the order to the nearest HP sales office.

Direct Mail Order System

Within the USA, Hewlett-Packard can supply parts through a direct mail order system. There are several advantages to this system:

- Direct ordering and shipping from the HP parts center in California, USA.
- No maximum or minimum on any mail order. (There is a minimum amount for parts ordered through a local HP sales office when the orders require billing and invoicing.)
- Prepaid transportation. (There is a small handling charge for each order.)
- No invoices.

In order for Hewlett-Packard to provide these advantages, please send a check or money order with each order.

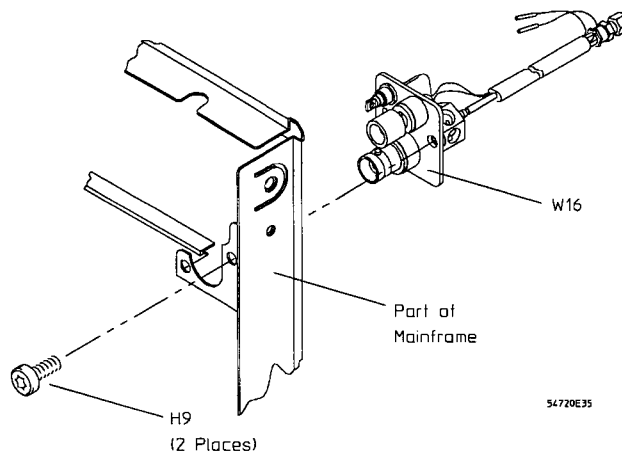
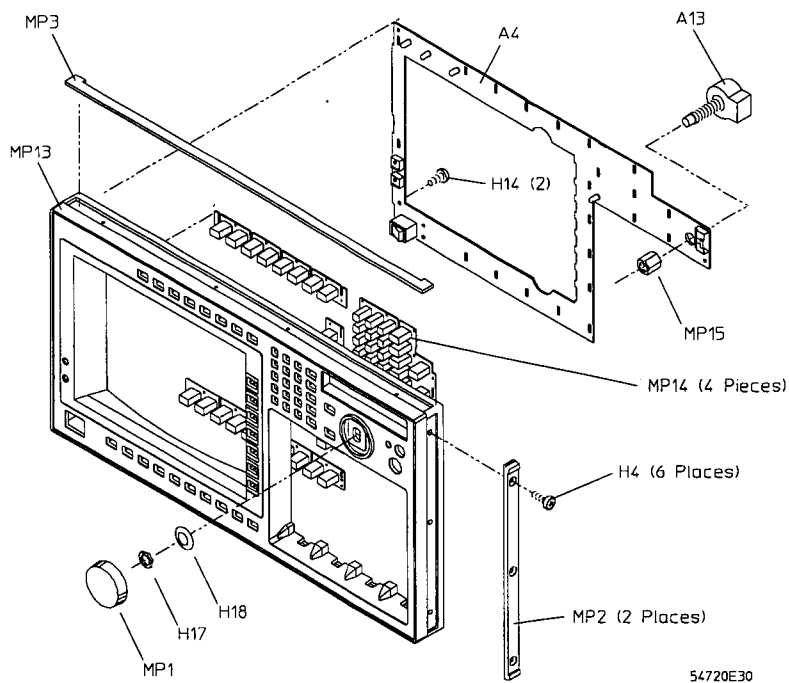
Mail order forms and specific ordering information are available through your local HP sales office. Addresses and telephone numbers are located in a separate document shipped with the manuals.

Exchange Assemblies

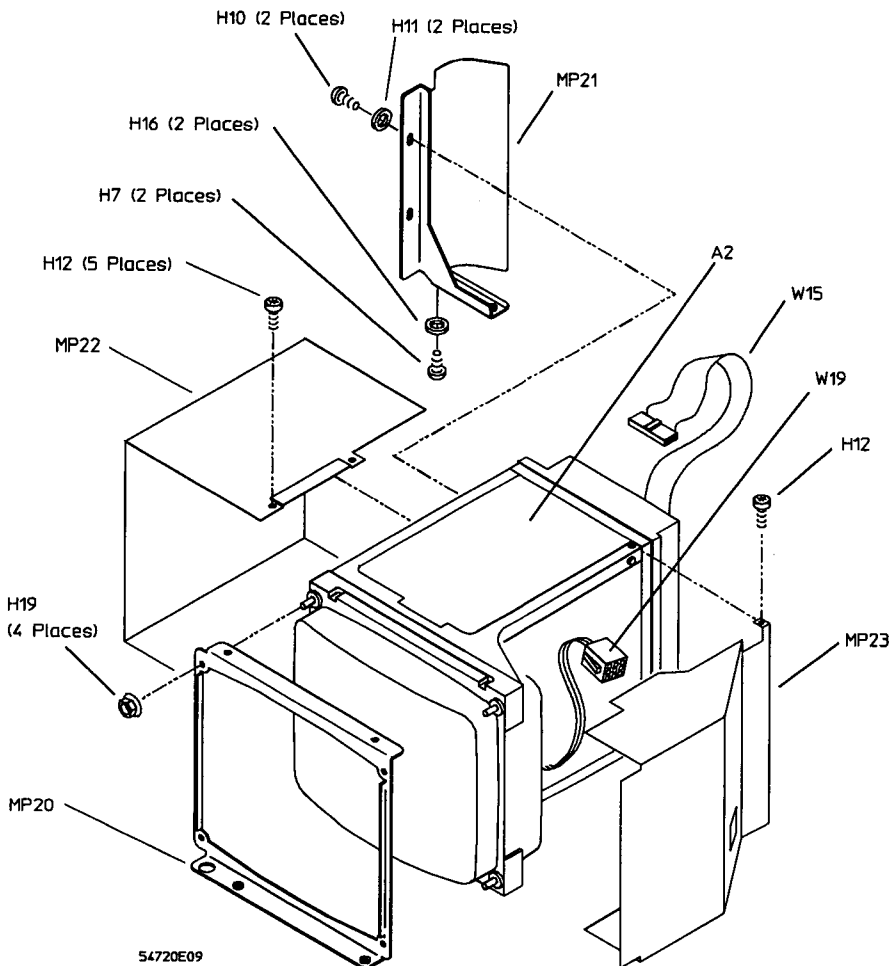
Some parts used in this instrument have been set up for an exchange program. This program allows the customer to exchange a faulty assembly with one that has been repaired, calibrated, and performance-verified by the factory. The cost is significantly less than that of a new part. The exchange parts have a part number in the form XXXXX-69XXX.

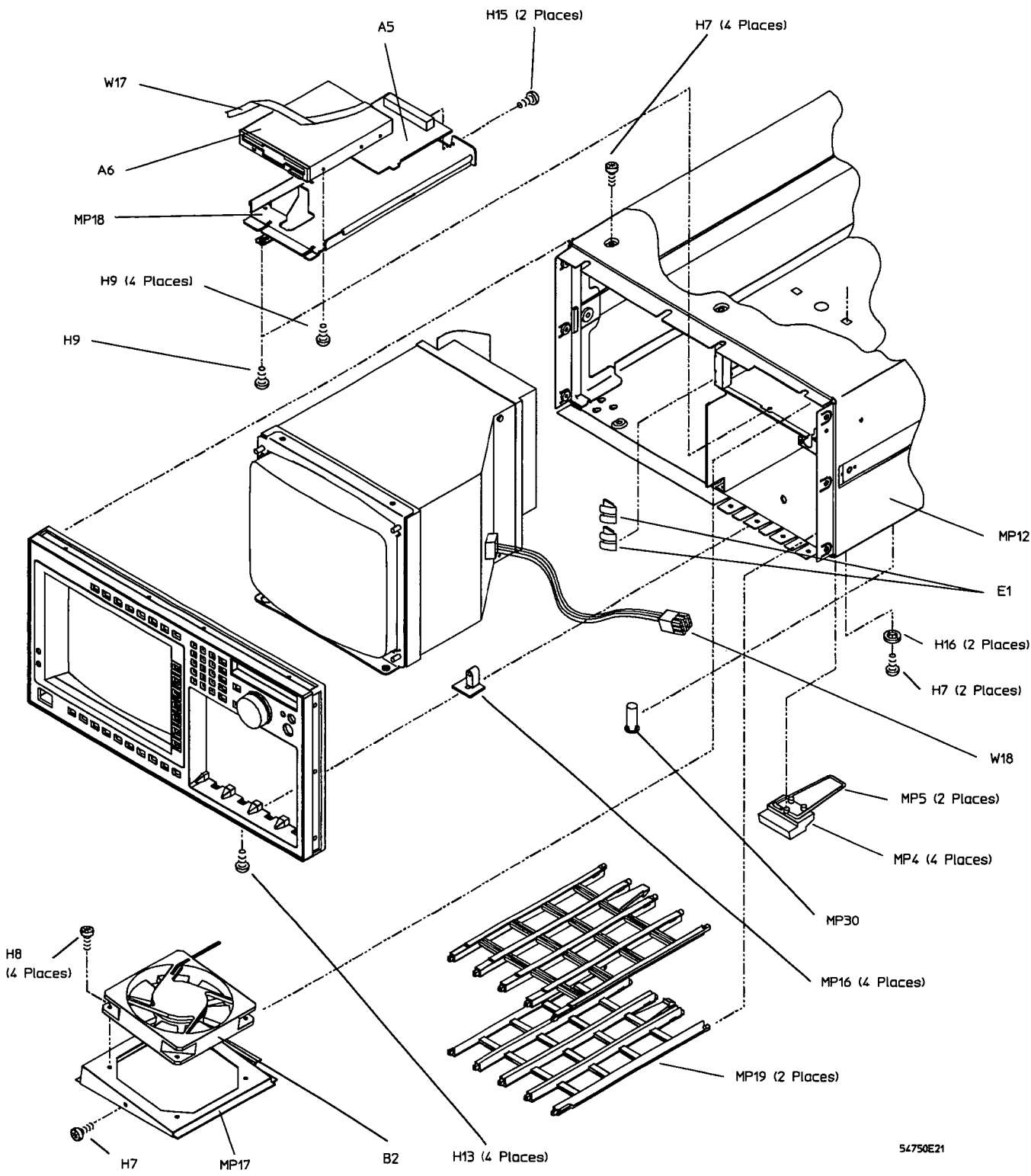
After receiving the repaired exchange part from Hewlett-Packard, a United States customer has 30 days to return the faulty assembly. For orders not originating in the United States, contact the local HP service organization. If the faulty assembly is not returned within the warranty time limit, the customer will be charged an additional amount. The additional amount will be the difference in price between a new assembly and that of an exchange assembly.

Exploded Views



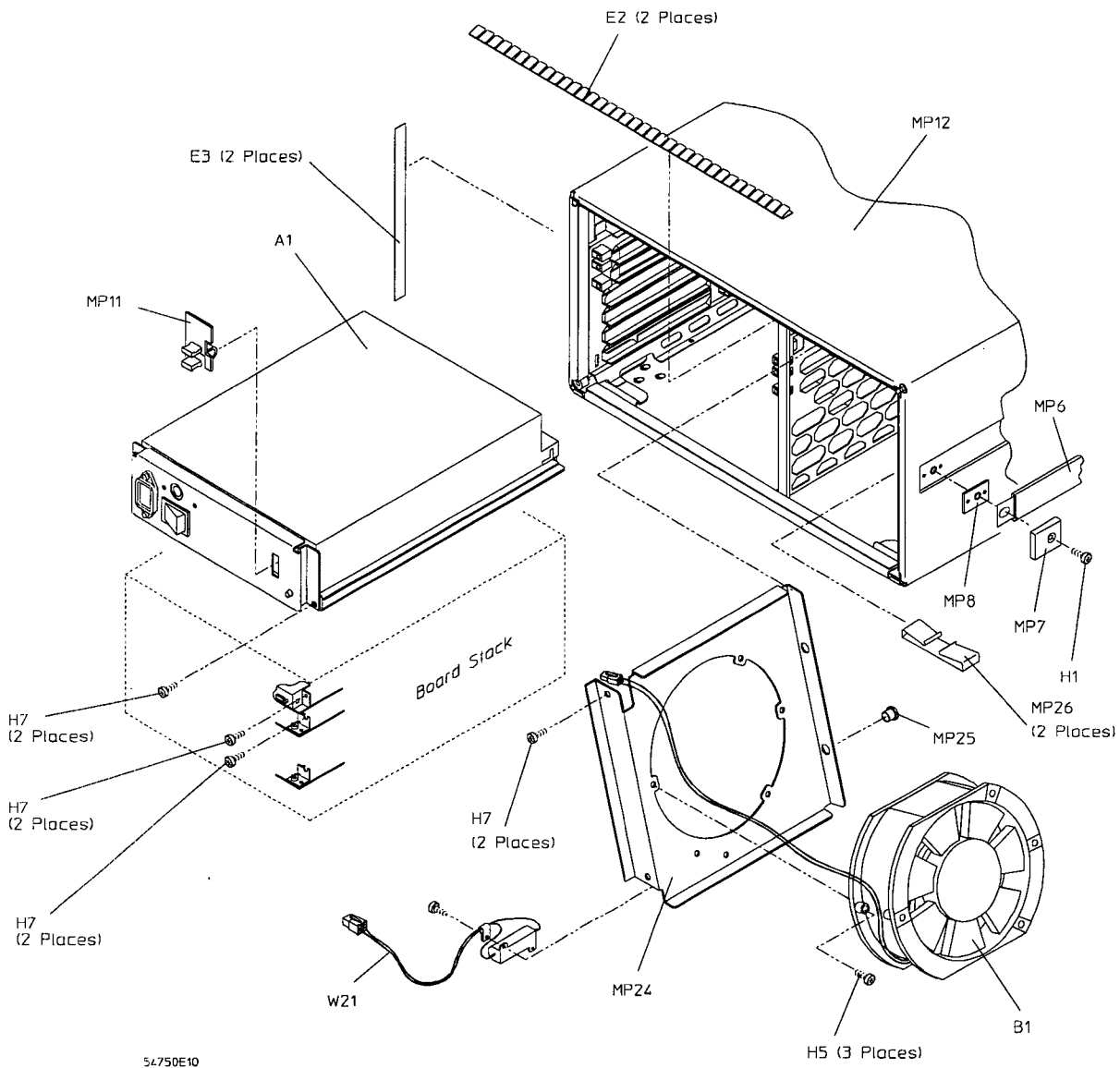
**Replaceable Parts
Exploded Views**



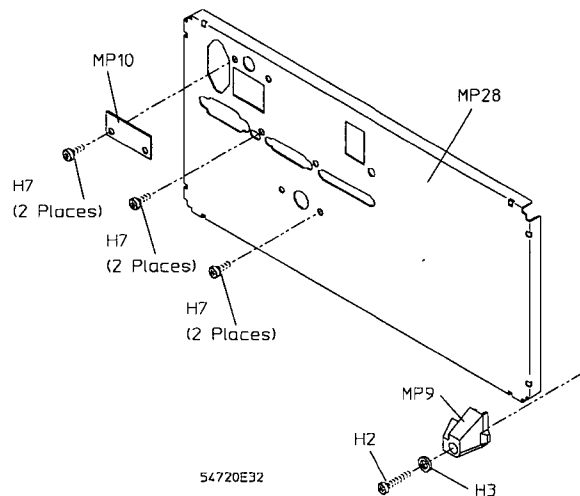


54750E21

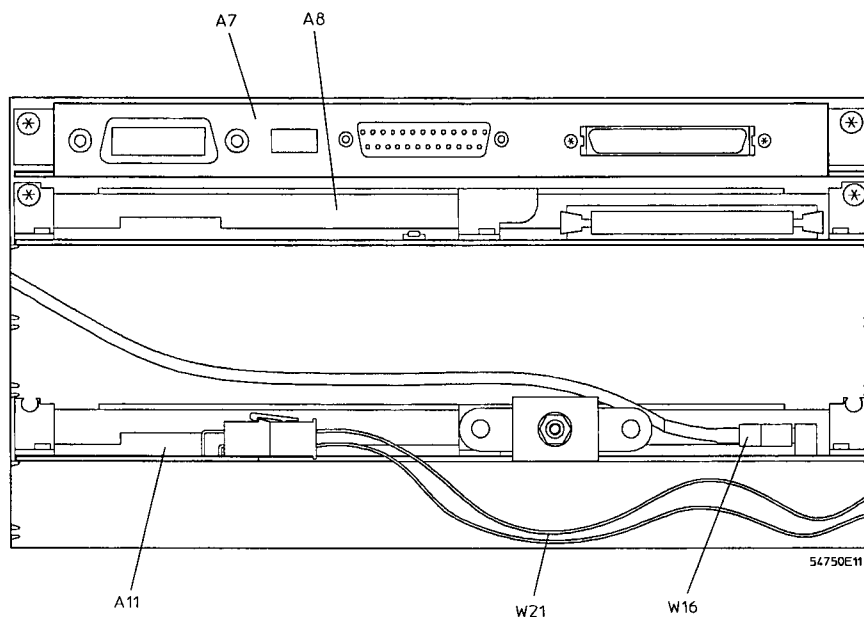
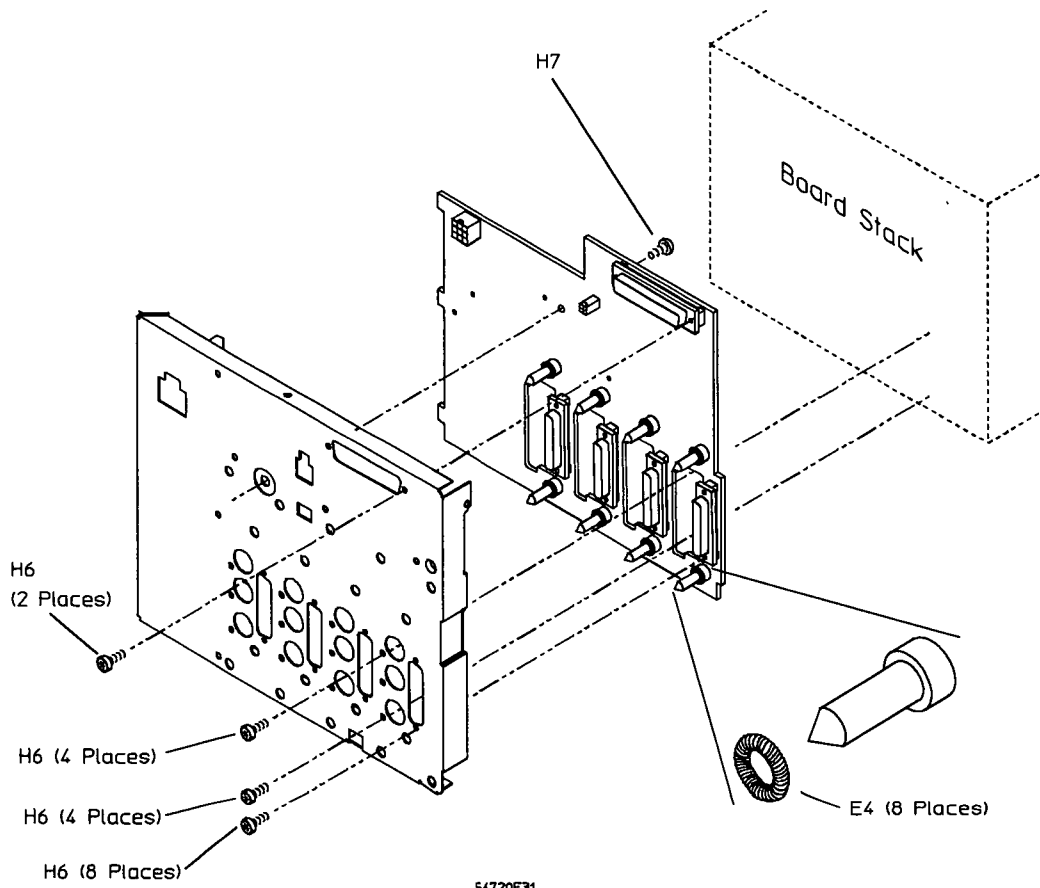
Replaceable Parts Exploded Views



54750E10



54720E32



Replaceable Parts List

The following table is a list of replaceable parts and is organized as follows:

- Exchange assemblies in alphanumeric order by reference designation.
- External parts in alphanumerical order by reference designation. These parts are generally those that take the physical wear and tear of use.
- Internal parts in alphanumerical order by reference designation. Replacing these parts generally requires opening the cabinet.

The information given for each part consists of the following:

- Reference designation.
- HP part number.
- Total quantity (QTY) in instrument or on assembly. The total quantity is given once and at the first appearance of the part number in the list.
- Description of the part.

Replaceable Parts

Ref. Des.	HP Part Number	QTY	Description
EXCHANGE ASSEMBLIES			
A2	2095-0001		COLOR CRT MODULE
A7	54710-69522		PC ASSEMBLY - CPU
A8	54710-69523		PC ASSEMBLY - DISPLAY
A11	E2602-69501		PC ASSEMBLY - TIME BASE and ACQUISITION
EXTERNAL PARTS			
F1	2110-0342	1	FUSE M8A 250V (for 230 V operation)
F1	2110-0249	1	FUSE M12A 250V (for 115 V operation)
F1	2110-0054	1	FUSE M15A 250V (for 100 V operation)
H1	0515-2048	4	MS M5 X 0.8 12MM-LG FLAT-HD T20 (handles)
H2	0515-0456	4	MS M4 X 0.7 20MM-LG PAN-HD T10 (rear feet)
H3	3050-0065	4	WASHER - FLAT 0.203-IN-ID 0.375-IN-OD (rear feet)
H4	0515-2227	6	MS M4 X 0.7 12MM-LG FLAT-HD T15
MP1	01650-47401	1	KNOB - RPG
MP2	54710-41002	2	TRIM STRIP - SIDE
MP3	5041-8802	1	TRIM STRIP - TOP
MP4	5041-8801	4	FOOT - BOTTOM
MP5	1460-1345	2	TILT STAND
MP6	5062-3705	2	HANDLE - STRAP
MP7	54710-62501	4	CAP - HANDLE
MP8	54710-01211	4	SPACER - HANDLE
MP9	54710-41001	4	FOOT - REAR
MP10	54710-04101	1	COVER - LINE FUSE
MP11	64120-48101	1	COVER - LINE VOLTAGE SWITCH
MP30	E2602-64101	1	HOLE PLUG - AIR BLOCK
W1	8120-1378	1	CABLE - POWER
W1	8120-1351	1	CABLE - POWER (Option 900-UK)
W1	8120-1369	1	CABLE - POWER (Option 901-AUSTL)
W1	8120-1689	1	CABLE - POWER (Option 902-EUR)
W1	8120-0698	1	CABLE - POWER (Option 904-250V USA/CANADA)
W1	8120-2104	1	CABLE - POWER (Option 906-SWIT)
W1	8120-2956	1	CABLE - POWER (Option 912-DEN)
W1	8120-4211	1	CABLE - POWER (Option 917-AFRICA)
W1	8120-4755	1	CABLE - POWER (Option 918-JAPAN)

Replaceable Parts
Replaceable Parts List

Replaceable Parts (cont'd)

Ref. Des.	HP Part Number	QTY	Description
INTERNAL PARTS			
A1	0950-2211	1	POWER SUPPLY ASSEMBLY
A2	2090-0251	1	COLOR CRT MODULE
A3	E2602-66502	1	PC ASSEMBLY - MOTHER BOARD
A4	54710-66516	1	PC ASSEMBLY - FRONT PANEL
A5	54710-66515	1	PC ASSEMBLY - DISK DRIVE CONTROL
A6	0950-2169	1	DISK DRIVE
A7	54710-66522	1	PC ASSEMBLY - CPU
A8	54710-66523	1	PC ASSEMBLY - DISPLAY
A9			NOT USED
A10			NOT USED
A11	E2602-66501	1	PC ASSEMBLY - TIME BASE and ACQUISITION
A12			NOT USED
A13	0960-0852	1	ROTARY PULSE GENERATOR (RPG)
A7BT1	1420-0526	1	BATTERY - LITHIUM 3V
B1	3160-0643	1	FAN - TUBEAXIAL (rear fan)
B2	3160-0804	1	FAN - TUBEAXIAL (front fan)
E1	8160-0718	2	GASKET-RFI FINGER STRIP (FRONT)
E2	54710-07101	2	GASKET - RFI FINGER STRIP (rear top and bottom)
E3	54710-07102	2	GASKET - RFI FINGER STRIP (rear sides)
E4	1460-2337	8	SPRING - RFI (motherboard)
E5			NOT USED
H5	0515-0383	3	MS M4 X 0.7 16MM-LG PAN-HD T10
H6	0515-2305	18	MS M3 X 0.5 14MM-LG PAN-HD T10
H7	0515-0433	24	MS M4 X 0.7 8MM-LG PAN-HD T15
H8	0515-0372	4	MS M3 X 0.5 8MM-LG PAN-HD T10
H9	0515-0430	9	MS M3 X 0.5 6MM-LG PAN-HD T10
H10	0515-0641	2	SCREW - THREAD-ROLLING M4 X0.7 10MM-LG PAN-HD T15
H11	3050-0065	2	WASHER - FLAT 0.203-IN-ID 0.375-IN-OD
H12	0515-1958	6	SCREW - THREAD-ROLLING M3 X 0.5 6MM-LG PAN-HD T10
H13	0515-2043	4	MS M4 X 0.7 8MM-LG FLAT-HD T15
H14	0624-0600	2	SCREW - TAPPING 4-20
H15	2200-0140	2	MS 4-40 0.27-IN-LG PAN=HD-POZI
H16	3050-0071	2	WASHER - FLAT 0.169-IN-ID 0.438-IN-OD
H17	2950-0043	1	NUT - HEX DBL-CHAM 3/8-32 THD .093-IN-THK
H18	3050-0188	1	WASHER - CURVED LOCK (rpg)
MP12	54710-04401	1	CABINET
MP13	54720-60201	1	FRONT PANEL (also order label, MP29)
MP14	54710-68701	1	KEYPAD KIT (four pieces)
MP15	54710-05701	1	NUT - SPACER (for RPG)
MP16	54710-25001	4	BRACKET - PLUG-IN LATCH
MP17	54710-01220	1	BRACKET - FRONT FAN
MP18	54710-01221	1	BRACKET - DISK DRIVE
MP19	54710-43101	2	GUIDE - PLUG-IN
MP20	54710-01215	1	BRACKET - FRONT (color CRT module)
MP21	54710-01216	1	BRACKET - REAR (color CRT module)
MP22	5061-6197	1	SHIELD - LEFT (color CRT module)
MP23	54710-00601	1	SHIELD - RIGHT (color CRT module)
MP24	54710-01219	1	BRACKET - REAR FAN (includes plastic bushings)
MP25	0400-0269	2	BUSHING - PLASTIC (part of MP 24)
MP26	1400-1331	2	CLAMP - CABLE
MP27			NOT USED
MP28	E2602-00201	1	REAR PANEL
MP29	54750-94301	1	LABEL - FRONT PANEL '54750A'
W2-W14			NOT USED
W15	54710-61601	1	CABLE - RIBBON (display PC assembly to color CRT module)
W16	54710-61613	1	CABLE ASSEMBLY (calibration signal)
W17	54710-61603	1	CABLE - RIBBON (keyboard)
W18	54710-61604	1	CABLE (color CRT module, outside)
W19	54710-61609	1	CABLE (color CRT module, inside)

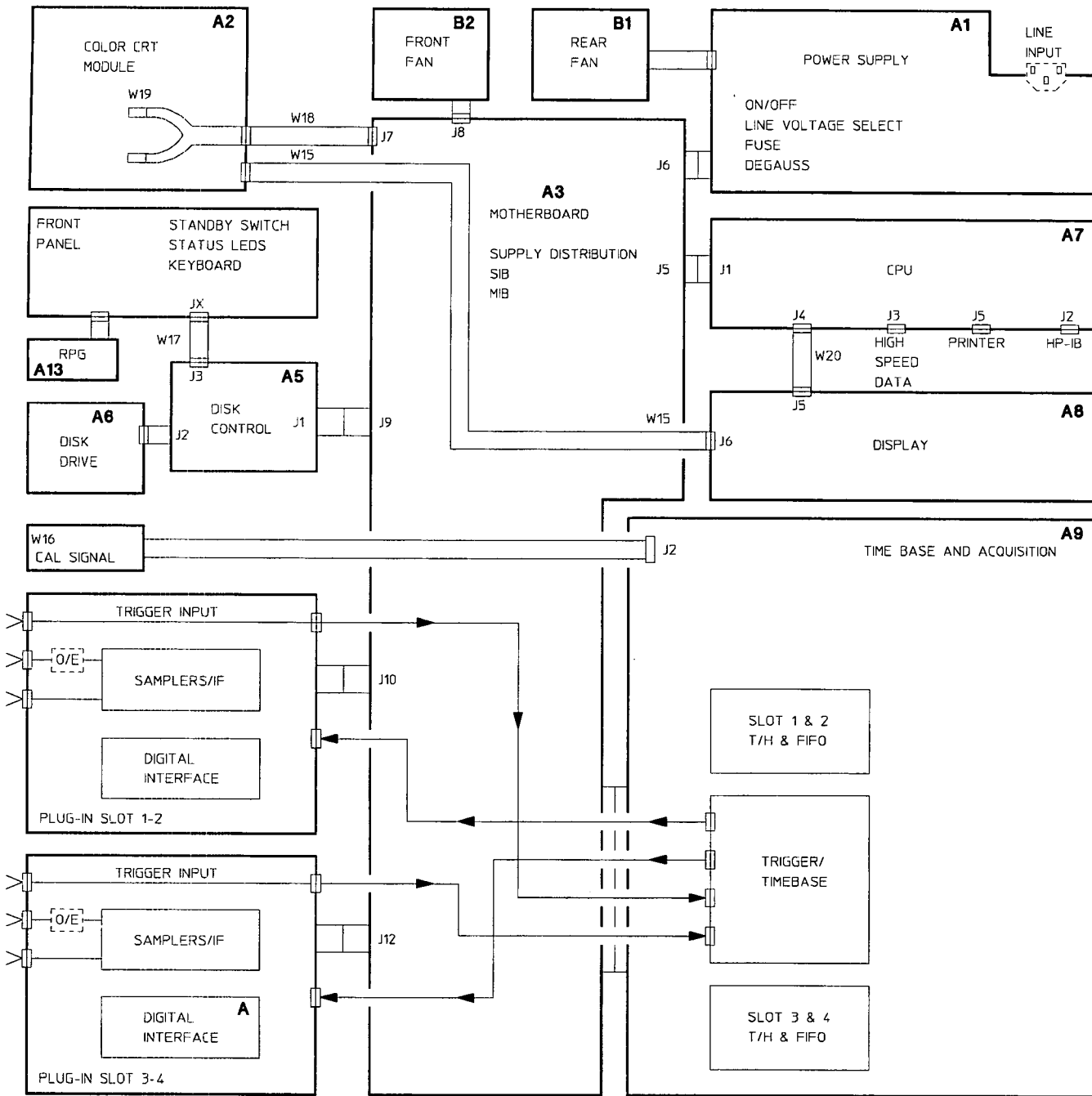
Replaceable Parts (cont'd)

Ref. Des.	HP Part Number	QTY	Description
W20	54710-61611	1	CABLE - RIBBON (CPU to display PC assembly)
W21	E2602-61603	1	CABLE ASSEMBLY, RESISTOR
A11 W1	E2602-61601	4	CABLE COXIAL (SMA TO OSP) INTERFACE CABLES

Mainframe Block-Level Theory 8-3
Time Base and Acquisition System 8-7
Trigger 8-7

Theory of Operation

Theory of Operation



54750804

Instrument Block Diagram

Theory of Operation

The mainframe contains the digitizers, time base, and display circuitry. Four front-panel slots accept an assortment of electrical and optical sampling plug-ins which occupy two slots each. Seven rear-panel slots accept major assemblies of the mainframe, including the power supply, CPU, display board assembly, and time base and acquisition assembly. The color CRT module (display) is a separate assembly. The front panel consists of hard and soft keys, a knob RPG (rotary pulse generator), a 3.5-inch disk drive, and the calibrator (CAL) output.

Mainframe Block-Level Theory

Use the main block diagram on the previous page for the following discussion.

Acquisition

The mainframe acquisition system consists of the sampling time base, 2.5 GHz bandwidth trigger, track and hold, and A/D. They accept the trigger signal from the plug-in, control the sampler strobe, and capture the filtered and amplified sampler outputs.

The plug-ins pass the trigger signal to the mainframe and sample the signal when told by the mainframe. The amplified and filtered sampler signal (bipolar pulse) is passed on to the mainframe.

The mainframe's acquisition trigger and sampling time base circuitry controls when the plug-in sampler samples the input signal. The mainframe's track and hold circuit follows the bipolar pulse and captures the peak value.

See also

"Time Base and Acquisition System" later in this chapter for additional information.

Motherboard

The motherboard provides most of the common connections in the mainframe. The digital interface, some acquisition control lines, and power supplies are routed through the motherboard. The vertical plug-ins, disk controller, and front fan connect to the motherboard from the front of the instrument and the other mainframe assemblies plug in from the rear.

Power Supply

The 650 W switching power supply provides eight dc voltages to the instrument. A rear-panel power switch switches both sides of the ac power input. When the rear panel power switch is on, the power supply primary circuits are energized.

The front-panel power switch is a remote control for the regulators in the supply. When the front-panel switch is set to Standby, with the rear-panel switch on, the regulators are shut down and most instrument circuitry is off.

On the rear panel is a fuse as well as a switch for changing the ac voltage input range, nominally 115 Vac or 230 Vac. The rear panel of the power supply also carries the degauss push-button switch for the CRT.

One output of the power supply is a power-on-reset signal which is distributed on the bus. This is used to initialize circuitry after all of the supplies are operating.

Fans

Fans are powered by a 24 V supply provided by the power supply assembly. The fan voltage, therefore the fan speed, varies with the internal temperature of the instrument. The power supply monitors a signal line from each fan and shuts down the supply if fan rotation stops.

CPU

The CPU assembly controls all digital functions of the instrument other than the display. It uses an MC68020 microprocessor and an MC68882 floating-point math coprocessor. A 32 MHz oscillator output is divided by two to get a 16 MHz processor clock.

The system ROM is 2 Mbyte of flash ROM which can be programmed from the disk drive. One ROM IC is partitioned as a boot ROM. It is protected by a write protect switch. After power-up, pointers are set and the rest of ROM runs the instrument. The system RAM is 4 Mbyte of static RAM. All of the RAM has battery back-up.

The CPU assembly provides two ports to the user: an HP-IB port for instrument control and data handling, and a parallel port for a direct printer connection. Also, the hardware is present for a high-speed data port, which may be implemented with future firmware.

The CPU assembly provides separate digital interfaces to several internal functions:

- The processor sections of the system interface bus (SIB).
- The keyboard and other front panel functions.
- The display assembly.
- The digital functions of the front panel plug-ins, the module interface bus (MIB).

The CPU assembly uses a set of four switches to control firmware. One switch protects boot ROM, one protects system ROM, one protects calibration factors, and one is not used. Use of these switches is covered wherever it is appropriate.

Display Assembly

The display assembly handles the graphics functions of the instrument. It organizes pixel-level data for the display. Special interface circuitry on the CPU assembly connects the microprocessor to a TMS34010 graphics microprocessor on the display assembly. The main display memory is 1 MByte of dynamic RAM. A 4K by 12-bit static RAM is used for variable persistence and a 16K by 8-bit static RAM is used for color mapping. Out of a possible 256K different colors, up to 256 main colors and 15 overlay colors are available at one time.

The connection to the CPU assembly is through a dedicated ribbon cable connected between the two assemblies. The connection between the display assembly and the motherboard is not used.

Color CRT Module

The color CRT module includes the color CRT and its associated driving circuitry. It uses vertical and horizontal sync and red, green, and blue video signals from the display processor. It gets power from a separate 120 Vdc supply in the power supply assembly. A switch to degauss the CRT is located on the rear panel of the power supply.

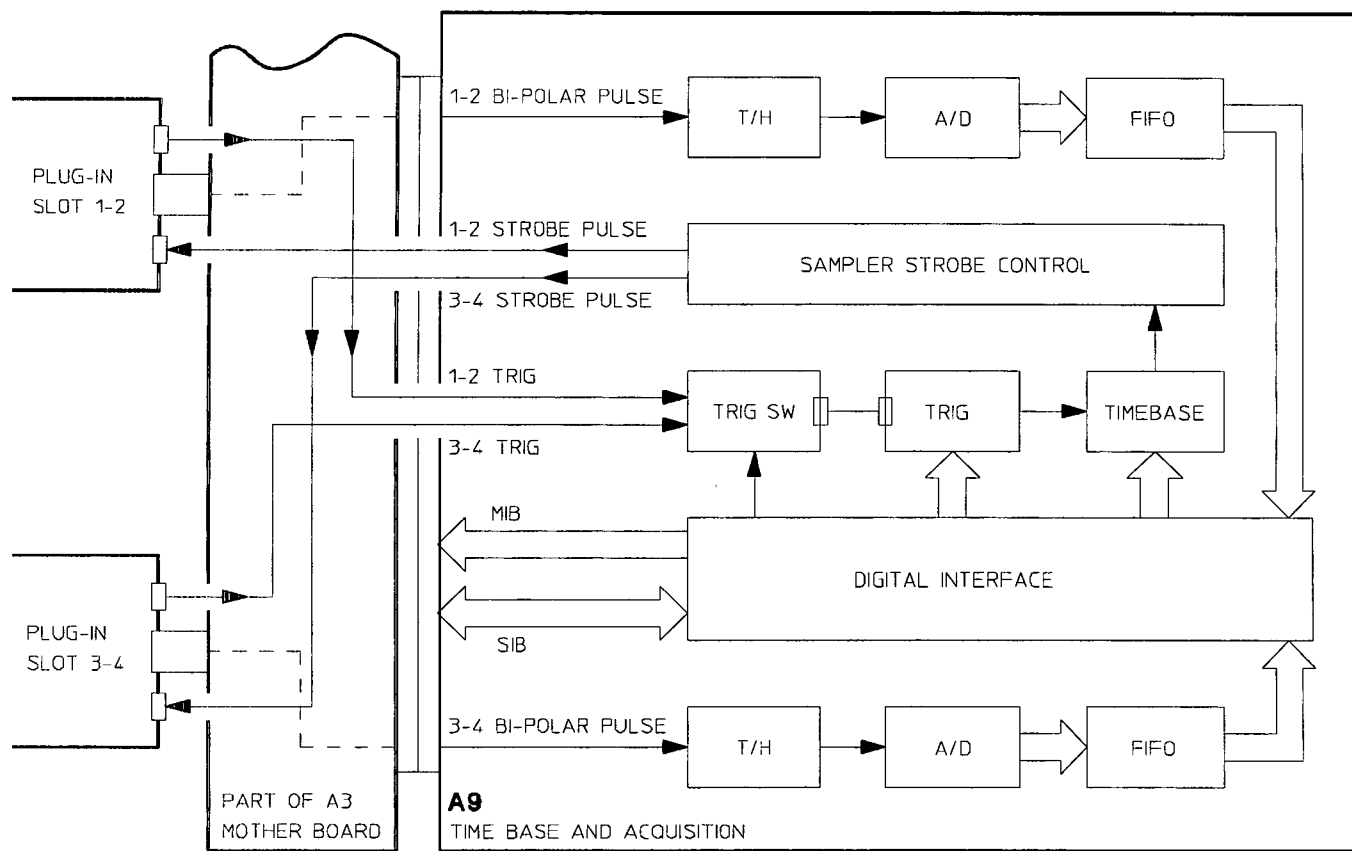
Disk Drive and Control

The disk drive is in the front panel of the instrument. Electronically however, it is not part of the front panel. The disk drive connects to the disk control, and the disk control connects to the SIB through the motherboard. The disk control assembly also passes the keyboard interface connections from the motherboard to the keyboard.

Front Panel

The front panel includes the hard keys, soft keys, knob, status LEDs, display controls, and a power switch. The knob is attached to a rotary pulse generator (RPG). The microprocessor communicates with the keyboard through a separate interface on the CPU assembly. Electrical connection between the CPU assembly and keyboard is made through the disk controller assembly and the motherboard.

Theory of Operation
Mainframe Block-Level Theory



54750B05

Time Base and Acquisition Block Diagram

Time Base and Acquisition System

The mainframe time base and acquisition along with the plug-in sampler and sampler drive circuitry controls the input signal sampling. The system sequentially establishes the time between the input trigger and the time when the samplers are fired. The time base and acquisition assembly has the following circuitry: Trigger switch, trigger, sampling time base, track and hold, and A/D converter. The HP 83480 series plug-in modules contain the samplers, sampler drive, IF amplifier/filters, and digital interface. In addition, the HP 83480 series optical modules also contain an O/E converter and optical power measurement circuit.

The samplers measure the difference between the input signal's present amplitude and the DC offset DAC's level. The difference is amplified and converted to a bipolar pulse by charge amplifiers and IF filters located in the plug-in. This bipolar pulse signal is carried back the track and hold circuit in the mainframe.

The track and hold circuit follows the amplitude of the bipolar pulse. When the bipolar pulse reaches peak amplitude, the track and hold circuit holds the peak value. The A/D converters convert the track and hold's level to a 12-bit digital word. These 12-bit words are placed into a FIFO memory which is then read and processed by the CPU.

Trigger

The trigger is a 2.5 GHz bandwidth trigger that provides a single trigger channel that can be switched between the plug-in front panel inputs. The switch is located in the mainframe on the acquisition/timebase assembly and switches the trigger input between the plug-in in slots 1-2 and the plug-in in slots 3-4

DECLARATION OF CONFORMITY

according to ISO/IEC Guide 22 and EN 45014

Manufacturer's Name: Hewlett-Packard Company
Manufacturer's Address: 1900 Garden of the Gods Road
Colorado Springs , CO 80907
U.S.A.

Declares, That the product

Product Name: Digitizing Oscilloscope
Model Number(s): HP 54750A and HP 54751A
Product Options: All

Conforms to the following Product Specifications:

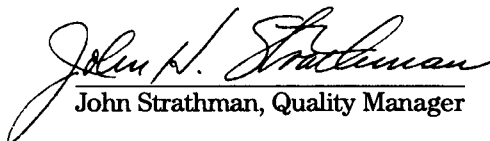
Safety: IEC 1010-1:1990+A1 / EN 61010-1:1993
UL 1301
CSA - C22.2 No. 1010.1:1993

EMC: CISPR 11:1990/EN 55011 (1991): Group 1 Class A
IEC 801-2:1991 /EN 50082-1 (1992): 4 kV CD, 8 kV AD
IEC 801-3:1984 /EN 50082-1 (1992): 3 V/m, (1kHz 80% AM, 27-1000 MHz)
IEC 801-4:1988 /EN 50082-1 (1992): 0.5 kV Sig Lines, 1 kV Power Lines

Supplementary Information:

The product herewith complies with the requirements of the Low Voltage Directive 73/23/EEC and the EMC Directive 89/336/EEC.

Colorado Springs, 9/15/94


John Strathman, Quality Manager

European Contact: Your local Hewlett-Packard Sales and Service Office or Hewlett-Packard GmbH,
Department ZQ / Standards Europe, Herrenberger Strasse 130, 71034 Böblingen Germany (FAX: +49-7031-143143)

X-RAY RADIATION NOTICE

ACHTUNG

Model HP 54750A/83480A

WARNING

Während des Betriebs erzeugt dieses Gerät Röntgenstrahlung. Das Gerät ist so abgeschirmt, daß die Dosisleistung weniger als 36 pA/kg (0,5 mR/h) in 5cm Abstand von der Oberfläche der Kathodenstrahlröhre beträgt. Somit sind die Sicherheitsbestimmungen verschiedener Länder, u.A. der deutschen Röntgenverordnung eingehalten.

Die Stärke der Röntgenstrahlung hängt im wesentlichen von der Bauart der Kathodenstrahlröhre ab sowie von den Spannungen, welche an dieser anliegen. Um einen sicheren Betrieb zu gewährleisten, dürfen die Einstellungen des Niederspannungs- und Hochspannungsnetzteils nur nach der Anleitung in Kapitel Einstellvorschriften des Service Handbuches vorgenommen werden.

Die Kathodenstrahlröhre darf nur durch die gleiche Type ersetzt werden. (Siehe Kapitel Ersatzteile für HP-Teilenummern.)

Das Gerät ist in Deutschland zugelassen unter der Nummer: BW/218/86/ROE

When operating, this instrument emits x-rays; however, it is well shielded and meets safety and health requirements of various countries, such as the X-ray Radiation Act of Germany.

Radiation emitted by this instrument is less than 0.5 mR/hr at a distance of five (5) centimeters from the surface of the cathode-ray tube. The x-ray radiation primarily depends on the characteristics of the cathode-ray tube and its associated low-voltage and high-voltage circuitry. To ensure safe operation of the instrument, adjust both the low-voltage and high-voltage power supplies as outlined in the Adjustments Section of the Service Manual.

Replace the cathode-ray tube with an identical CRT only. Refer to the Replacement Parts Section for the proper HP part number.

Number of German License: BW/218/86/ROE

X-RAY

© Copyright Hewlett-Packard Company 1994-1995
All Rights Reserved.

Reproduction, adaptation, or translation without prior written permission is prohibited, except as allowed under the copyright laws.

Document Warranty

The information contained in this document is subject to change without notice.

Hewlett-Packard makes no warranty of any kind with regard to this material, including, but not limited to, the implied warranties of merchantability or fitness for a particular purpose.

Hewlett-Packard shall not be liable for errors contained herein or for damages in connection with the furnishing, performance, or use of this material.

Product Warranty

This Hewlett-Packard product has a warranty against defects in material and workmanship for a period of one year from date of shipment. During the warranty period, Hewlett-Packard Company will, at its option, either repair or replace products that prove to be defective.

For warranty service or repair, this product must be returned to a service facility designated by Hewlett-Packard.

For products returned to Hewlett-Packard for warranty service, the Buyer shall prepay shipping charges to Hewlett-Packard and Hewlett-Packard shall pay shipping charges to return the product to the Buyer. However, the Buyer shall pay all shipping charges, duties, and taxes for products returned to Hewlett-Packard from another country.

Hewlett-Packard warrants that its software and firmware designated by Hewlett-Packard for use with an instrument will execute its programming instructions when properly installed on that instrument. Hewlett-Packard does not warrant that the operation of the instrument software, or firmware will be uninterrupted or error free.

Limitation of Warranty

The foregoing warranty shall not apply to defects resulting from improper or inadequate maintenance by the Buyer, Buyer-supplied software or interfacing, unauthorized modification or misuse, operation outside of the environmental specifications for the product, or improper site preparation or maintenance.

No other warranty is expressed or implied. Hewlett-Packard specifically disclaims the implied warranties of merchantability or fitness for a particular purpose.

Exclusive Remedies

The remedies provided herein are the buyer's sole and exclusive remedies. Hewlett-Packard shall not be liable for any direct, indirect, special, incidental, or consequential damages, whether based on contract, tort, or any other legal theory.

Assistance

Product maintenance agreements and other customer assistance agreements are available for Hewlett-Packard products.

For any assistance, contact your nearest Hewlett-Packard Sales Office.

Certification

Hewlett-Packard Company certifies that this product met its published specifications at the time of shipment from the factory. Hewlett-Packard further certifies that its calibration measurements are traceable to the United States National Institute of Standards and Technology, to the extent allowed by the Institute's calibration facility, and to the calibration facilities of other International Standards Organization members.

Safety

This apparatus has been designed and tested in accordance with IEC Publication 1010, Safety Requirements for Measuring Apparatus, and has been supplied in a safe condition. This is a Safety Class I instrument (provided with terminal for protective earthing). Before applying power, verify that the correct safety precautions are taken (see the following warnings). In addition, note the external markings on the instrument that are described under "Safety Symbols."

Warning

- Before turning on the instrument, you must connect the protective earth terminal of the instrument to the protective conductor of the (mains) power cord. The mains plug shall only be inserted in a socket outlet provided with a protective earth contact. You must not negate the protective action by using an extension cord (power cable) without a protective conductor (grounding). Grounding one conductor of a two-conductor outlet is not sufficient protection.

- Only fuses with the required rated current, voltage, and specified type (normal blow, time delay, etc.) should be used. Do not use repaired fuses or short-circuited fuseholders. To do so could cause a shock of fire hazard.

- Service instructions are for trained service personnel. To avoid dangerous electric shock, do not perform any service unless qualified to do so. Do not attempt internal service or adjustment unless another person, capable of rendering first aid and resuscitation, is present.

- If you energize this instrument by an auto transformer (for voltage reduction), make sure the common terminal is connected to the earth terminal of the power source.

- Whenever it is likely that the ground protection is impaired, you must make the instrument inoperative and secure it against any unintended operation.

- Do not operate the instrument in the presence of flammable gasses or fumes. Operation of any electrical instrument in such an environment constitutes a definite safety hazard.

- Do not install substitute parts or perform any unauthorized modification to the instrument.

- Capacitors inside the instrument may retain a charge even if the instrument is disconnected from its source of supply.

- Use caution when exposing or handling the CRT. Handling or replacing the CRT shall be done only by qualified maintenance personnel.

Safety Symbols



Instruction manual symbol: the product is marked with this symbol when it is necessary for you to refer to the instruction manual in order to protect against damage to the product.



Hazardous voltage symbol.



Earth terminal symbol: Used to indicate a circuit common connected to grounded chassis.

WARNING

The Warning sign denotes a hazard. It calls attention to a procedure, practice, or the like, which, if not correctly performed or adhered to, could result in personal injury. Do not proceed beyond a Warning sign until the indicated conditions are fully understood and met.

CAUTION

The Caution sign denotes a hazard. It calls attention to an operating procedure, practice, or the like, which, if not correctly performed or adhered to, could result in damage to or destruction of part or all of the product. Do not proceed beyond a Caution symbol until the indicated conditions are fully understood or met.

About this edition

This is the first edition of the
*HP 54750A High Bandwidth
Digitizing Oscilloscope
Service Guide.*

The following list of pages gives
the date of the current edition and
of any changed pages to that
edition.

All pages original edition

Publication number 54750-97011

Printed in USA.

Edition dates are as follows:

First edition, April 1995

New editions are complete
revisions of the manual. Update
packages, which are issued
between editions, contain
additional and replacement pages
to be merged into the manual by
you. The dates on the title page
change only when a new edition is
published.

A software or firmware code may
be printed before the date. This
code indicates the version level of
the software or firmware of this
product at the time the manual or
update was issued. Many product
updates do not require manual
changes; and, conversely, manual
corrections may be done without
accompanying product changes.
Therefore, do not expect a
one-to-one correspondence
between product updates and
manual updates.

DECLARATION OF CONFORMITY

according to ISO/IEC Guide 22 and EN 45014

Manufacturer's Name: Hewlett-Packard Company

Manufacturer's Address: 1900 Garden of the Gods Road
Colorado Springs , CO 80907
U.S.A.

Declares, That the product

Product Name: Digitizing Oscilloscope

Model Number(s): HP 83480A and HP 83483A

Product Options: All

Conforms to the following Product Specifications:

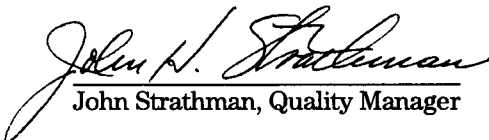
Safety: IEC 1010-1:1990+A1 / EN 61010-1:1993
UL 1301
CSA - C22.2 No. 1010.1:1993

EMC: CISPR 11:1990 /EN 55011 (1991): Group 1 Class A
IEC 801-2:1991 /EN 50082-1 (1992): 4 kV CD, 8 kV AD
IEC 801-3:1984 /EN 50082-1 (1992): 3 V/m, {1kHz 80% AM, 27-1000 MHz}
IEC 801-4:1988 /EN 50082-1 (1992): 0.5 kV Sig Lines, 1 kV Power Lines

Supplementary Information:

The product herewith complies with the requirements of the Low Voltage Directive 73/23/EEC and the EMC Directive 89/336/EEC.

Colorado Springs, 9/15/94


John Strathman, Quality Manager

European Contact: Your local Hewlett-Packard Sales and Service Office or Hewlett-Packard GmbH,
Department ZQ / Standards Europe, Herrenberger Strasse 130, 71034 Böblingen Germany (FAX: +49-7031-143143)

X-RAY RADIATION NOTICE

ACHTUNG

Model HP 54750A/83480A

WARNING

Während des Betriebs erzeugt dieses Gerät Röntgenstrahlung. Das Gerät ist so abgeschirmt, daß die Dosisleistung weniger als 36 pA/kg (0,5 mR/h) in 5cm Abstand von der Oberfläche der Kathodenstrahlröhre beträgt. Somit sind die Sicherheitsbestimmungen verschiedener Länder, u.A. der deutschen Röntgenverordnung eingehalten.

Die Stärke der Röntgenstrahlung hängt im wesentlichen von der Bauart der Kathodenstrahlröhre ab sowie von den Spannungen, welche an dieser anliegen. Um einen sicheren Betrieb zu gewährleisten, dürfen die Einstellungen des Niederspannungs- und Hochspannungsnetzteils nur nach der Anleitung in Kapitel Einstellvorschriften des Service Handbuches vorgenommen werden.

Die Kathodenstrahlröhre darf nur durch die gleiche Type ersetzt werden. (Siehe Kapitel Ersatzteile für HP-Teilenummern.)

Das Gerät ist in Deutschland zugelassen unter der Nummer: BW/218/86/ROE

When operating, this instrument emits x-rays; however, it is well shielded and meets safety and health requirements of various countries, such as the X-ray Radiation Act of Germany.

Radiation emitted by this instrument is less than 0.5 mR/hr at a distance of five (5) centimeters from the surface of the cathode-ray tube. The x-ray radiation primarily depends on the characteristics of the cathode-ray tube and its associated low-voltage and high-voltage circuitry. To ensure safe operation of the instrument, adjust both the low-voltage and high-voltage power supplies as outlined in the Adjustments Section of the Service Manual.

Replace the cathode-ray tube with an identical CRT only. Refer to the Replacement Parts Section for the proper HP part number.

Number of German License: BW/218/86/ROE

X-RAY

Reproduction, adaptation, or translation without prior written permission is prohibited, except as allowed under the copyright laws.

Document Warranty

The information contained in this document is subject to change without notice.

Hewlett-Packard makes no warranty of any kind with regard to this material, including, but not limited to, the implied warranties of merchantability or fitness for a particular purpose.

Hewlett-Packard shall not be liable for errors contained herein or for damages in connection with the furnishing, performance, or use of this material.

Product Warranty

This Hewlett-Packard product has a warranty against defects in material and workmanship for a period of one year from date of shipment. During the warranty period, Hewlett-Packard Company will, at its option, either repair or replace products that prove to be defective.

For warranty service or repair, this product must be returned to a service facility designated by Hewlett-Packard.

For products returned to Hewlett-Packard for warranty service, the Buyer shall prepay shipping charges to Hewlett-Packard and Hewlett-Packard shall pay shipping charges to return the product to the Buyer. However, the Buyer shall pay all shipping charges, duties, and taxes for products returned to Hewlett-Packard from another country.

Hewlett-Packard warrants that its software and firmware designated by Hewlett-Packard for use with an instrument will execute its programming instructions when properly installed on that instrument. Hewlett-Packard does not warrant that the operation of the instrument software, or firmware will be uninterrupted or error free.

Limitation of Warranty

The foregoing warranty shall not apply to defects resulting from improper or inadequate maintenance by the Buyer, Buyer-supplied software or interfacing, unauthorized modification or misuse, operation outside of the environmental specifications for the product, or improper site preparation or maintenance.

No other warranty is expressed or implied. Hewlett-Packard specifically disclaims the implied warranties of merchantability or fitness for a particular purpose.

Exclusive Remedies

The remedies provided herein are the buyer's sole and exclusive remedies. Hewlett-Packard shall not be liable for any direct, indirect, special, incidental, or consequential damages, whether based on contract, tort, or any other legal theory.

Assistance

Product maintenance agreements and other customer assistance agreements are available for Hewlett-Packard products.

For any assistance, contact your nearest Hewlett-Packard Sales Office.

Certification

Hewlett-Packard Company certifies that this product met its published specifications at the time of shipment from the factory. Hewlett-Packard further certifies that its calibration measurements are traceable to the United States National Institute of Standards and Technology, to the extent allowed by the Institute's calibration facility, and to the calibration facilities of other International Standards Organization members.

Safety

This apparatus has been designed and tested in accordance with IEC Publication 1010, Safety Requirements for Measuring Apparatus, and has been supplied in a safe condition. This is a Safety Class I instrument (provided with terminal for protective earthing). Before applying power, verify that the correct safety precautions are taken (see the following warnings). In addition, note the external markings on the instrument that are described under "Safety Symbols."

Warning

- Before turning on the instrument, you must connect the protective earth terminal of the instrument to the protective conductor of the (mains) power cord. The mains plug shall only be inserted in a socket outlet provided with a protective earth contact. You must not negate the protective action by using an extension cord (power cable) without a protective conductor (grounding). Grounding one conductor of a two-conductor outlet is not sufficient protection.
- Only fuses with the required rated current, voltage, and specified type (normal blow, time delay, etc.) should be used. Do not use repaired fuses or short-circuited fuseholders. To do so could cause a shock of fire hazard.
- Service instructions are for trained service personnel. To avoid dangerous electric shock, do not perform any service unless qualified to do so. Do not attempt internal service or adjustment unless another person, capable of rendering first aid and resuscitation, is present.
- If you energize this instrument by an auto transformer (for voltage reduction), make sure the common terminal is connected to the earth terminal of the power source.
- Whenever it is likely that the ground protection is impaired, you must make the instrument inoperative and secure it against any unintended operation.
- Do not operate the instrument in the presence of flammable gasses or fumes. Operation of any electrical instrument in such an environment constitutes a definite safety hazard.
- Do not install substitute parts or perform any unauthorized modification to the instrument.
- Capacitors inside the instrument may retain a charge even if the instrument is disconnected from its source of supply.
- Use caution when exposing or handling the CRT. Handling or replacing the CRT shall be done only by qualified maintenance personnel.

Safety Symbols



Instruction manual symbol: the product is marked with this symbol when it is necessary for you to refer to the instruction manual in order to protect against damage to the product.



Hazardous voltage symbol.



Earth terminal symbol: Used to indicate a circuit common connected to grounded chassis.

WARNING

The Warning sign denotes a hazard. It calls attention to a procedure, practice, or the like, which, if not correctly performed or adhered to, could result in personal injury. Do not proceed beyond a Warning sign until the indicated conditions are fully understood and met.

CAUTION

The Caution sign denotes a hazard. It calls attention to an operating procedure, practice, or the like, which, if not correctly performed or adhered to, could result in damage to or destruction of part or all of the product. Do not proceed beyond a Caution symbol until the indicated conditions are fully understood or met.

About this edition

This is the first edition of the *HP 83480A Digital Communications Analyzer Service Guide*.

The following list of pages gives the date of the current edition and of any changed pages to that edition.

All pages original edition

Publication number 83480-90004
Printed in USA.
Edition dates are as follows:
First edition, April 1995

New editions are complete revisions of the manual. Update packages, which are issued between editions, contain additional and replacement pages to be merged into the manual by you. The dates on the title page change only when a new edition is published.

A software or firmware code may be printed before the date. This code indicates the version level of the software or firmware of this product at the time the manual or update was issued. Many product updates do not require manual changes; and, conversely, manual corrections may be done without accompanying product changes. Therefore, do not expect a one-to-one correspondence between product updates and manual updates.



Service Guide

HP 83483A
20 GHz Electrical Plug-in

Service Guide

Publication Number 83483-90002
First Edition, June 1995

For Safety information, Warranties, and Regulatory information, see the pages at the back of this book.

© Copyright Hewlett-Packard Company 1995
All Rights Reserved.

HP 83483A 20 GHz Electrical Plug-in

The HP 83483A 20 GHz Electrical Plug-in

This plug-in is designed for use in the HP 83480A Digital Communications Analyzer or HP 54750A Digitizing Oscilloscope. The plug-in uses two slots in the mainframe and contains the sampler and IF amplifiers. The plug-in provides an external trigger input.

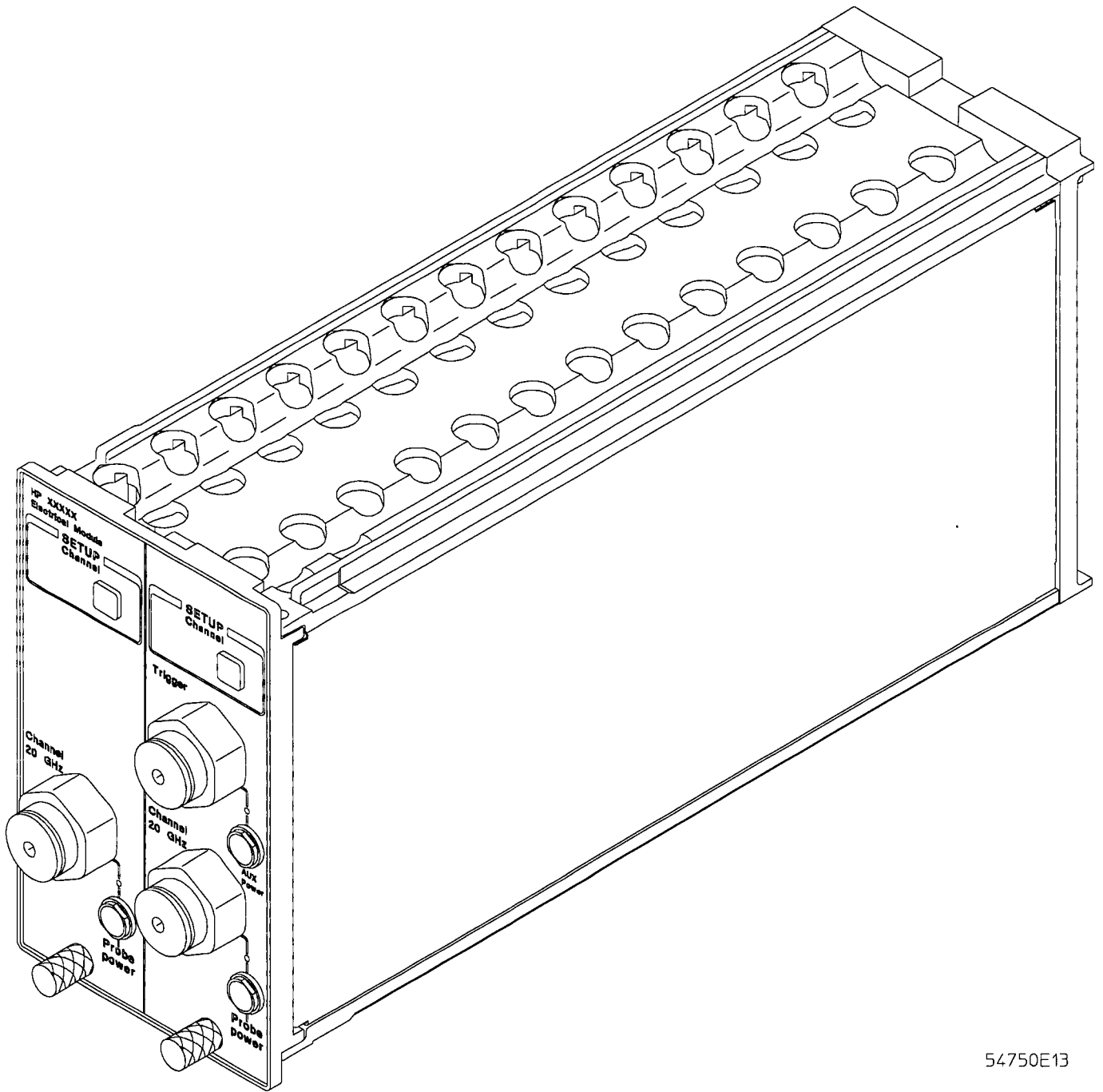
Features

Combined with the HP 83480A or HP 54750A mainframe, this plug-in has a variety of high-performance features:

- 2 channels
- 12.4 GHz or 20 GHz selectable channel bandwidth
- 1 mV to 100 mV/div sensitivity
- 2.5 GHz external trigger bandwidth
- 2 Probe power and 1 Auxiliary power connectors
- 50 Ω input impedance
- External trigger input

Service Policy

The service policy of this instrument is the replacement of defective assemblies. Some assemblies can be replaced on an exchange basis.



54750E13

In This Book

This book provides the service documentation for the plug-in, and it is divided into eight chapters.

Chapter 1 provides general information and specifications.

Chapter 2 shows you how to prepare the plug-in for use.

Chapter 3 gives performance tests.

Chapter 4 covers calibration and adjustment procedures; how to do them and how often they need to be done.

Chapter 5 provides troubleshooting information.

Chapter 6 gives the procedures and techniques for replacing assemblies and other parts.

Chapter 7 includes a list of exchange assemblies and other replaceable parts, part ordering information, and shipping information.

Chapter 8 briefly covers the internal operation of the plug-in.

At the back of the book you will find Safety information, Warranties, and Regulatory information.

Contents

1 General Information

- Accessories Supplied 1-2
- Accessories Available 1-2
- Options Available 1-2
- Performance Specifications 1-3
- Performance Characteristics 1-4
- Environmental Conditions 1-5
- Recommended Test Equipment 1-6

2 Preparing for Use

- To inspect the instrument 2-3
- To install a plug-in 2-3
- To clean the instrument 2-4

3 Testing Performance

- Special Procedures 3-3
- To test voltage measurement accuracy 3-5
- To test bandwidth 3-8
- To test the input reflection 3-11
- Performance Test Record 3-13

4 Calibrating and Adjusting

- Calibration Interval 4-3
- Calibration Status Displays 4-4
- To calibrate the plug-ins 4-6
- To do the extended plug-in calibration 4-8
- To adjust feed-through compensation 4-10

5 Troubleshooting

- Quick Checks 5-4
- Primary Trouble Isolation 5-6
- Functional Failure Isolation 5-8
- Functional Failure Isolation 2 5-13

6 Replacing Assemblies

- To return the instrument to HP for service 6-4
- To remove and replace the covers 6-4
- To remove and replace the front panel 6-5
- To remove and replace the digital interface board 6-6
- To remove and replace the sampler board and samplers/pulse filter 6-6
- To remove and replace the plug-in rear panel coaxial interface cables 6-8
- To remove and replace the bus cable 6-9

7 Replaceable Parts

- Ordering Replaceable Parts 7-2
- Replaceable Parts List 7-5

8 Theory of Operation

- Channel Signal Path 8-3
- Digital Interface 8-4
- Probe Power 8-5
- Power Supplies 8-5

Accessories Supplied 1-2
Accessories Available 1-2
Options Available 1-2
Performance Specifications 1-3
Performance Characteristics 1-4
Environmental Conditions 1-5
Recommended Test Equipment 1-6

 General Information

General Information

This chapter Service Guide provides general information about the instrument. The following topics are covered in this chapter.

- Accessories
- Options
- Specifications and characteristics
- Test equipment requirements

Accessories Supplied

- Three 3.5 mm female-to-female adapters, HP part number 5061-5311
- Three SMA shorting caps, HP part number 0960-0055
- One Service Guide

Accessories Available

- HP 54701A 2.5 GHz Active Probe with Option 001
- HP 54006A 6 GHz resistive divider probe kit
- HP 54007A accessory kit
- HP 54008A 22 ns delay line
- HP 54118A 18 GHz trigger

Options Available

- Option 0B1 - additional User's Reference and additional Service Guide
- Option 1BP - MIL-STD Certification with data. Product calibration certificate and performance test data report in compliance with MIL-STD-45662A.
- Option +W30 - Three years of return-to-HP service.
- Option +W32 - Three years of HP Calibration service at an HP service center.
- Option UK6 - Commercial calibration with data.

Performance Specifications

The specifications are the performance standards against which the product is tested. Specifications are valid after a 60 minute warm-up period.

Channels (Vertical) ¹

	20 GHz Bandwidth Mode ²	12.4 GHz Bandwidth Mode
Bandwidth (-3dB, dc coupled)	dc to 20 GHz	dc to 12.4 GHz
Transition time (10% to 90%, calculated from $T_r = .35/BW$)	≤17.5 ps	≤28.2 ps
Maximum noise RMS	≤1 mV	≤0.5 mV
dc accuracy single voltage marker	±0.4% of full scale or marker reading (whichever is greater) ±2 mv ±1.5% of (reading - channel offset) ⁵	±0.4% of full scale or marker reading (whichever is greater) ±2 mv ±0.6% of (reading - channel offset) ⁵
dc difference ³ voltage accuracy using two voltage markers on the same channel	±0.8% of full scale or delta V reading (whichever is greater) ±1.5% of (delta marker reading) ⁵	±0.8% of full scale or delta V reading (whichever is greater) ±0.6% of (delta marker reading) ⁵
Scale Factor	(full scale is 8 divisions)	
mimum	1 mv/div	
maximum	100 mv/div	
Programmable dc offset ⁴	channel offset ±500 mv	
Inputs		
Number	two	
Dynamic range	±400 mv relative to channel offset	
Maximum safe input voltage	±2 Vdc + peak ac (+16 dBm)	
Nominal impedance	50 ohm	
Percent reflection	≤5% for 30 ps risetime	
Connectors	3.5 mm (m)	

¹ When operated within ±5°C (±9°F) of the temperature of the last plug-in calibration. See the Operating Characteristics for additional information on vertical software calibration.

² The input samplers are biased differently for increased bandwidth in the 20 GHz bandwidth mode.

³ When driven from a 0 ohm source.

⁴ An effective offset of ±900 mV can be achieved using the ±500 mV of channel offset and adding ±400 mV of offset with the waveform math offset scaling function.

⁵ When operated within ±2°C (±3.6°F) of the temperature of the last plug-in calibration. When operated within ±5°C (±9°F) of the temperature of the last plug-in calibration, the final term in the dc accuracy specification is 2.5 times higher.

Performance Characteristics

The characteristics are not specifications, but are included as additional information.

Channels (Vertical)

Scale Factors Adjustable from 1 mV/div to 100 mV/div in a 1-2-5-10 sequence from the front panel knob or the INC/DEC keys. Also adjustable over the range in 0.1 mV increments from the numeric keypad.

Attenuation Factors Factors may be entered to scale the oscilloscope for external attenuators connected to the channel inputs. The range is from .0001:1 to 1,000,000:1.

Noise Averaging reduces noise by $\frac{1}{\sqrt{n}}$, where n is the number of averages, until a system limitation of approximately 25 uV (low BW mode) or 50 uV (high BW mode) is reached.

Channel-to-channel isolation 60 dB

Bandwidth The user may select between a high (20 GHz) or low (12.4 GHz) bandwidth mode. The sampler is biased differently for the two modes. The low bandwidth mode has 300 uVrms noise and the high bandwidth mode has 600 uVrms noise.

Environmental Conditions

These environmental conditions apply to the HP 83483A Electrical Module:

The instrument meets Hewlett-Packard's environmental specifications (section 750) for class B-1 products with exceptions noted for temperature and condensation. Contact your HP field engineer for complete details.

Temperature

operating	+10° C to +40° C
non-operating	-40° C to +70° C

Humidity

operating	Up to 90% relative humidity (non-condensing) at +35° C
non-operating	Up to 90% relative humidity (non-condensing) at + 65° C

Altitude

operating	Up to 4,600 meters (15,000 ft)
non-operating	Up to 15,300 meters (50,000 ft)

Vibration

operating	Random vibration 5 to 500 Hz, 10 minutes per axis, 0.3 g(rms)
non-operating	Random vibration 5 to 500 Hz, 10 minutes per axis, 2.41 g(rms); resonant search, 5 to 500 Hz swept sine, 1 Octave/minute sweep rate, 0.75 g, 5 minute resonant dwell at 4 resonances/axis

Power Requirements

voltage	Supplied by Mainframe
power	Supplied by Mainframe

Model Number

HP 83483A

Weight

approx. net weight	1.5 kg (3.2 lbs)
approx. ship weight	2.3 kg (5.0 lbs)

Recommended Test Equipment

The table shows a list of the test equipment required to test performance, calibrate, and troubleshoot this plug-in. The table indicates the critical specification of the test equipment and for which procedure the equipment is necessary. Equipment other than the recommended model may be used if it satisfies the critical specification listed in the table.

Recommended Test Equipment

Equipment Required	Critical Specifications	Recommended Model	Use *
Oscilloscope Mainframe	No substitution	HP 83480A or HP 54750A	P, C, T
Signal Generator	20 GHz, -25 dBc harmonics, +6 dBm output, 0.25 ppm/yr stability, 10 MHz reference output	HP 8360/8340 series	P, C, T
Synthesizer/ Function Generator	10 MHz square wave, 120 mV output, 0.05 ppm/yr stability	HP 3325B	P, C, T
RF Amplifier	22 dB gain at 10 MHz, 1.3 GHz bandwidth	HP 8447D/E/F	P, C
Digital Multimeter	6 1/2 digit, 0.1 mV resolution, 0.05% dc accuracy	HP 34401A	P, T
Power Meter	20 GHz	HP 437B	P
Power Sensor	20 GHz	HP 8485A	P
TDR system	TDR, 30 ps and 100 ps normalized rise times	HP 54121T system	P
Power Splitter	3.5 mm connectors	HP 11667B	P, T
Attenuator	6 dB, 3.5 mm connectors	HP 8490C/opt 6 or HP 33340C/opt 6	P
Attenuator	20 dB, 3.5 mm connectors	HP 8490C/opt 20 or HP 33340C/opt 20	P
50 Ω load	3.5 mm (f)	HP 909D/011	P
Calculator	Log base 10 function	HP 20S	P
Oscilloscope	100 MHz bandwidth	HP 54601B	T
Delay line	22 ns, 20 GHz	HP 54008A	P
Adapter	N (m) to 3.5 mm (f)	HP 1250-1743	P
Adapter	3.5 mm (m-m)	HP 1250-1864	P
Adapter (2)	3.5 mm (m-f)	HP 1250-1866	P, C, T
Adapter	N (m) to SMA (f)	HP 1250-1250	P, C, T
Adapter	BNC (f) to SMA (m)	HP 1250-1200	P, C, T
Adapter	3.5 mm (f-f) precise one end	HP 5061-5311	P, C, T
Adapter	BNC (f) to dual banana (m)	HP 1251-2277	P
Coaxial Short	3.5 mm (f)	HP 1250-2127	P
BNC Tee	1 (m) end, 2 (f) ends	HP 1250-0781	P, T
Cable	Precision SMA (f-m), 26.5 GHz	HP 54007-61604	P
Cable (3)	SMA (m-m), 36 inch	HP 8120-4948	P, T
Cable	BNC, 12 inch	HP 8120-1838	C
Cable (2)	BNC, 48 inch	HP 10503A	P, T
Insulated Adjustment Screwdriver	0.01 inch thick, 0.04 inch long	N/A	C, T
Alignment Tool	Nonmetallic	N/A	C, T
Torque Wrench	5 in/lb, 5/16 inch	8710-1582	T
Torque Wrench	8 in/lb, 5/16 inch	8710-1765	T

* P = Performance Tests, C = Calibration, T = Troubleshooting

To inspect the instrument 2-3
To install a plug-in 2-3
To clean the instrument 2-4

Preparing for Use

This chapter shows you how to prepare the plug-in for use. It references the routines necessary to establish calibration levels.

The following areas are covered in this chapter.

- Inspection
- Setup
- Cleaning

When ordered as a system, the mainframe is shipped from Hewlett-Packard ready to use, with the plug-ins installed and calibrated. However, if you ordered additional plug-ins and you want to change the instrument configuration or you want to do your own calibration, this section will help you get the instrument ready to use.

To inspect the instrument

- Inspect the shipping container for damage.

Keep a damaged shipping container or cushioning material until the contents of the shipment have been checked for completeness and the instrument has been checked mechanically and electrically.

- Check the accessories.

Accessories supplied are listed in chapter 1 of this service guide.

- If the contents are incomplete or damaged notify your HP sales office.

- Inspect the instrument.

- If there is mechanical damage or defect, or if the instrument does not operate properly or pass performance tests, notify your HP sales office.

- If the shipping container is damaged, or the cushioning materials show signs of stress, notify the carrier as well as your HP sales office. Keep the shipping materials for the carrier's inspection. The HP office will arrange for repair or replacement at Hewlett-Packard's option without waiting for claim settlement.

To install a plug-in

There are a few things to consider when using plug-ins:

- Plug-ins may be removed and installed without turning off instrument power.

CAUTION

Do not remove or install a plug-in while the instrument is running calibration or testing routines. It may cause a situation that could require service of the instrument.

- 1 Install the plug-in in slots 1 and 2 or slots 3 and 4 of the mainframe.

If you install a plug-in in slots 2 and 3, the mainframe will give you an error message stating that it is an illegal configuration.

- 2 To check the plug-in data, press the Channel key, press the **Calibrate...** softkey, then set the **Cal status** softkey to on.

Read the display to check the plug-in model and serial numbers and plug-in calibration status. If the plug-in needs calibration, see "To calibrate a plug-in" in chapter 4 of this service guide.

- 3 If you are using a probe or other attenuation device with your plug-in, you can perform the probe calibration.

Press the **Channel** key, press Calibrate, press the **Calibrate Probe...** softkey. Follow the instructions on the screen and press the **Continue** softkey.

See Also

"Calibration Overview" in chapter 4 of this Service Guide.

To clean the instrument

To clean the instrument, use a soft cloth, damp with a mild soap and water solution.

Special Procedures 3-3
To test voltage measurement accuracy 3-5
To test bandwidth 3-8
To test the input reflection 3-11
Performance Test Record 3-13

Testing Performance

Procedures in this chapter test the electrical performance of the instrument using Performance Specifications given in chapter 1 as performance standards.

Testing Interval

The performance test procedures may be performed for incoming inspection of the instrument and should be performed periodically thereafter to ensure and maintain peak performance. The recommended test interval is yearly or every 2,000 hours of operation. Amount of use, environmental conditions, and your experience concerning need for testing will contribute to test requirements.

See Also

Chapter 4, "Calibrating and Adjusting," for information about the calibration interval.

Equipment Required

A complete list of equipment required for the performance tests is in the Recommended Test Equipment table in chapter 1, "General Information." Equipment required for individual tests is listed in the test. Any equipment satisfying the critical specifications listed may be substituted for the recommended model. The procedures are based on the model or part number recommended.

Test Record

You may record the results of the performance tests in the Performance Test Record provided at the end of this chapter. The Performance Test Record lists the performance tests and provides an area to mark test results. You can use the results recorded at incoming inspection for later comparisons during periodic maintenance, troubleshooting, and after repairs or adjustments.

Operating Hints

Some knowledge of operating the instrument is helpful; however, these procedures are written so that little experience is necessary. If you would like more help operating the instrument and you can refer to the User's Guide or the Getting Started Guide that were supplied with the oscilloscope. The following hints about clearing the display and averaging will speed progress of the testing.

Clear Display

When using many averages, it often takes awhile for a waveform display to stabilize after a change. When a control on the instrument is changed, averaging automatically restarts. When just the input signal is changed, the instrument must average new data with the old so it takes a long time for the waveform to stabilize. Press the Clear Display key while changing input signals. The instrument will restart averaging and give a quick indication of the result of the change.

Averaging

Averaging is used to assure a stable signal for measurements. It is not necessary to wait for complete stability of the signal (averaging complete) as long as the measurement is well within the limits of the test.

Keystroke Conventions

To guide you while setting up the instrument, the following conventions are used to represent keystrokes and other interactions with the instrument.

When you need to press a front-panel key (also called a hardkey), you will be instructed to press a specific key. For example, press the Time base key.

Bold text, such as **Display** or **Calibrate...**, represents text on the CRT screen and may be a softkey you should press or a selection you should make. For example, press the **Scale** softkey, and use the knob to set the scale to **1 ns/div**.

The blue key that has no writing on it is a shift key. It allows you access to the functions written in blue above some of the front-panel keys. For example, press the blue shift key, then press the Limit test key. When the shift key is pressed the green LED next to the key lights. This indicates the next keypress executes the blue shift function.

Specifications

The specifications that apply to a particular test are given at the test. The specification as given at the test may be abbreviated for clarity. In case of any questions, refer to the complete specifications and characteristics in chapter 1.

Performance Test Procedures

Performance test procedures start with the next paragraph. Procedures may be done individually and in any order.

CAUTION

Allow the instrument to warm up for at least 60 minutes prior to beginning performance tests. Failure to warm up the instrument may cause it to fail tests.

Special Procedures

- For optimal measurements, we recommend the instrument user perform the plug-in software calibration regularly. The plug-in gives optimal vertical dc measurement accuracy when operated within $\pm 2^{\circ}\text{C}$ ($\pm 3.6^{\circ}\text{F}$) of the last plug-in calibration. The dc measurement accuracy specification increases slightly when operated within $\pm 5^{\circ}\text{C}$ ($\pm 9^{\circ}\text{F}$) of the temperature of the last plug-in calibration. See Note 1 in voltage measurement accuracy Performance Test or Performance Specifications section in chapter 1 for more details.
- All connectors should be clean and undamaged to ensure accurate measurements. All 3.5 mm (f-f) adapters on the plug-in module should be mechanically and visually checked before inserting any calibration test tool into them. Damaged connectors or loose connectors may cause the performance verification tests to fail.
- The system should be allowed to warm up for at least 60 minutes.

- To avoid damage to plug-in module input connectors, use of the 3.5 mm (f-f) connector savers is encouraged. These connector savers are supplied with the plug-in module.
- Avoid sharp bends in 3.5 mm and SMA cables.
- When mating 3.5 mm connectors to 3.5 mm connectors or devices, torque all connections to 8 in/lbs. When mating 3.5 mm to SMA or SMA TO SMA, torque all connections to 5 in/lbs.
- If possible, minimize connector swapping during the procedures to avoid connector wear. All connectors on test tools and adapters should be inspected both visually and mechanically every few calibrations.
- Throughout the procedures, identical connectors are used in different ways. One way is precision at both ends. This means that both ends of the 3.5 mm connectors should be precise and should never have been connected to an SMA connector. The other way is precise at one end. This means that one of the 3.5 mm ends may be used with SMA connectors, but the other end should never have been connected to any SMA connectors. Unless otherwise stated, all 3.5 mm connectors should never be connected to SMA connectors.
- Allow the mainframe and plug-ins to warm up for at least 60 minutes prior to beginning performance tests.

CAUTION

The plug-in module inputs are very sensitive to static discharge. Failure to observe proper antistatic procedures may damage the gallium arsenide samplers. ESD damage is not covered under the warranty. All maintenance or operation should be performed with an antistatic mat and wrist strap.

CAUTION

Electrostatic discharge can seriously damage the test set's inputs. To eliminate any electrostatic build up from a cable you're connecting to the plug-in module, connect a female short to either end of the cable. Touch the short to an input connector hex nut on the plug-in to discharge any static build up to ground. Remove the short. Use this procedure for all cables before connecting them to the module.

To test voltage measurement accuracy

This test checks the offset accuracy, offset gain accuracy, and sampler gain accuracy of the plug-in and mainframe. If this test fails, do the plug-in calibration. If the RMS noise test fails, the sampler is probably damaged due to ESD or over-voltage. Refer to the Troubleshooting chapter of this manual.

Specifications:

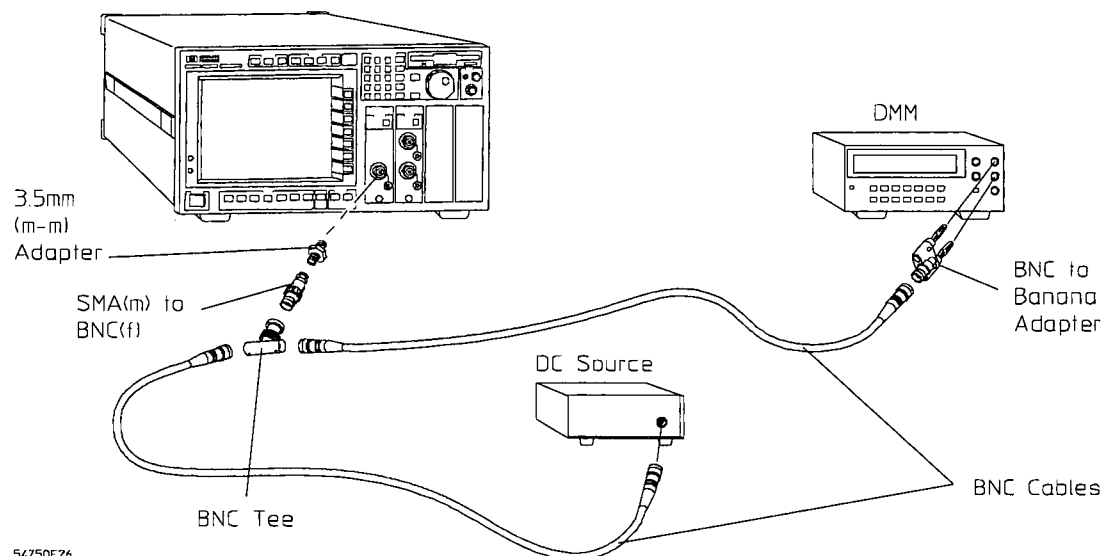
Single voltage marker 12.4 GHz Bandwidth mode $\pm 0.4\%$ of fullscale or marker reading (whichever is greater) ± 2 mV $\pm 0.6\%$ of (reading - channel offset).¹

20 GHz Bandwidth mode $\pm 0.4\%$ of fullscale or marker reading (whichever is greater) ± 2 mV $\pm 1.2\%$ of (reading - channel offset).¹

Dual voltage marker 12.4 GHz bandwidth mode $\pm 0.8\%$ of fullscale or delta V reading (whichever is greater) $\pm 0.6\%$ of delta marker reading.¹

20 GHz bandwidth mode $\pm 0.8\%$ of fullscale or delta V reading (whichever is greater) $\pm 1.2\%$ of delta marker reading.¹

¹ When operated within $\pm 2^\circ\text{C}$ ($\pm 3.6^\circ\text{F}$) of the temperature of the last plug-in calibration, the final term in the dc accuracy specification is as given. When operated within $\pm 5^\circ\text{C}$ ($\pm 9^\circ\text{F}$) of the temperature of the last plug-in calibration, the final term in the dc accuracy specification is 2.5 times higher.



Testing Performance
To test voltage measurement accuracy

RMS noise (1 sigma RMS) 20 GHz bandwidth mode ≤ 1 mV

12.4 GHz bandwidth mode ≤ 0.5 mV

Equipment required

Equipment	Critical Specifications	Recommended Model/Part
Power Supply	± 0.5 V, 100 mV resolution	HP 3325B
Digital Multimeter	6 1/2 digit, 0.1mV resolution, dc accuracy 0.05%	HP 34401A
Adapter	BNC tee	HP 1250-0781
Adapters	BNC(f) to SMA(m)	HP 1250-1200
Adapter	BNC to banana	HP 1250-2277

CAUTION

Exceeding ± 2 V on the power supply may damage the inputs of the plug-in!

If the plug-in is not calibrated, perform the plug-in calibration before doing this test.

DC measurement accuracy procedure

- 1 Press the mainframe Storage Setup key, then press the **Default setup** softkey.
- 2 Press the Trigger key, set the **Sweep** softkey to **freerun**.
- 3 Press the Acquisition key, set the **Averaging** softkey to **on**, then set the **# of averages** softkey to **16**.
- 4 Press the right Channel Setup key, then set the **Display** softkey to **off**.
- 5 Press the left Channel Setup key, then set the **Scale** softkey to **5 mV/div**. Press the **Bandwidth** softkey to change to **12.4 GHz**.
- 6 Press the blue Shift key, press the **More meas** key, press the **General meas** softkey, select **Vavg** from the drop-down menu, then press the **Enter** softkey. Set the source to the channel you are checking. Set the **Meas window** softkey to **display**, then press the **Enter** softkey.
The Vavg(1) readout at the bottom of the screen should read $0\text{ V} \pm 2.16\text{ mV}$.
- 7 Press the appropriate Channel key depending on channel being tested, then set the **Bandwidth** softkey to **20 GHz**.
Vavg(1) should read $0\text{ V} \pm 2.16\text{ mV}$.
- 8 Change the **Bandwidth** softkey to **12.4 GHz** and the **Offset** softkey to **500 mV**.
- 9 Connect the BNC tee to the channel input and adjust the dc source until the DMM reads $500\text{ mV} \pm 100\text{ }\mu\text{V}$.
Vavg(1) should read $500\text{ mV} \pm 4\text{ mV}$.
- 10 Change the **Offset** softkey to **-500 mV**.
- 11 Adjust the dc source until the DMM reads $-500\text{ mV} \pm 100\text{ }\mu\text{V}$.
Vavg (1) should be $-500\text{ mV} \pm 4\text{ mV}$.
- 12 Adjust the dc source until DMM reads $250\text{ mV} \pm 100\text{ }\mu\text{V}$.
- 13 Change the **Scale** softkey to **100 mV/div** and the **Offset** softkey to **0 v**.
- 14 Press Math key, set the **Function** softkey to **f1**, press the **Define function** softkey, press the **Operator** softkey, select **Magnify** drop-down menu, then press the **Enter** softkey. Verify that the **Operand 1** softkey shows the channel you are testing, then press the **Done** softkey. Set the **Display** softkey to **on**, press the

Function scaling softkey, set the **Vertical** softkey to **manual**, change the **Scale** softkey to **5 mV/div** and the **Offset** softkey to **250 mV**.

- 15 Press the **Channel Setup** key, then set the **Display** softkey to **off**.
- 16 Press the blue **Shift** key, press the **More meas** key, press the **General meas** softkey, select **vavg** from the drop-down menu, press the **Enter** softkey, set the **Source** softkey to **function 1**, then press the **Enter** softkey.
Vavg(f1) should read 250 mV ± 6.7 mV (0.4% x 800 mV + 2 mV + 0.6% x 250 mV). Record the results in the Performance Test Record.
- 17 Press the **Channel Setup** key, then set the **Bandwidth** softkey to **20 GHz**.
Vavg(f1) should read 250 mV ± 8.2 mV (0.4% x 800 mV + 2 mV + 1.2% x 250 mV). Record the results in the Performance Test Record.
- 18 Press the **Channel Setup** key, then set the **Bandwidth** softkey back to **12.4 GHz**.
- 19 Adjust the dc source until the DMM reads **-250 mV ± 100 μ V**.
- 20 Press the **Math** key, press the **Function scaling** softkey, then set the **Offset** softkey to **-250 mV**.
Vavg(f1) should read **-250 mV ± 6.7 mV**. Record the results in the Performance Test Record.
- 21 Perform the following calculation: Vavg(f1)[from step 16] - Vavg(f1)[from step 20] should be **500 mV ± 9.4 mV** (.8% x 800 mV + 0.6% x 500 mV). Record the results in the Performance Test Record.
- 22 Press the **Channel Setup** key, then set the **Bandwidth** softkey to **20 GHz**.
Vavg(f1) should read **-250 mV ± 8.2 mV**. Record the results in the Performance Test Record.
- 23 Perform the following calculation: Vavg(f1)[from step 17] - Vavg(f1)[from step 22] should be **500 mV ± 12.4 mV** (.8% x 800 mV + 1.2% x 500 mV). Record the results in the Performance Test Record.
- 24 Repeat steps 4 through 23 with the left channel off and the right channel on.

RMS Noise Test

- 25 Press the **Setup** key, press the **Default setup** softkey.
- 26 Press the **Trigger** key, then set the **Sweep** softkey to **freerun**.
- 27 Set both channels for **1 mV/div** and **12.4 GHz** bandwidth.
- 28 Press the blue **shift** key, then press **Vrms**. Select **source=ch1**, **Meas window=display**, and **RMS method=AC**. Press **Enter**. This displays an RMS measurement of the noise on channel 1. The results should be **≤ 0.5 mV_{rms}**. Record the results in the Performance Test Record.
- 29 Repeat step 28 for channel 2. The results should be **≤ 0.5 mV_{rms}**. Record the results in the Performance Test Record.
- 30 Change both channels to **20 GHz**.
- 31 The rms noise displayed for both channels should be **≤ 1.0 mV_{rms}**. Record the results in the Performance Test Record.

To test bandwidth

This test checks the system bandwidth with the HP 83483A Electrical Module plug-in. The procedure calculates the bandwidth of the HP 83483A. A synthesized sweeper's sine wave output is leveled with a power meter. The sine wave's rms voltage is measured and converted to a power measurement to determine bandwidth. This is done for the two frequencies on both electrical inputs.

The specification at 20 GHz is -3 dB, however the sweeper's output may not be synchronized with its 10 MHz reference output at 20.000 GHz. Therefore, this test checks the output at 19.98 GHz where the specification is -2.99 dB.

If this performance test fails, reinitialize the HP 83483A and perform the HP 83483A software calibration procedure, followed by the HP 83483A Feed-through compensation adjustments.

Specifications

20 GHz bandwidth mode: -3 dB at 20 GHz (-2.99 dB at 19.98 GHz) 12.4 GHz bandwidth mode: -3 dB at 12.4 GHz

Equipment required

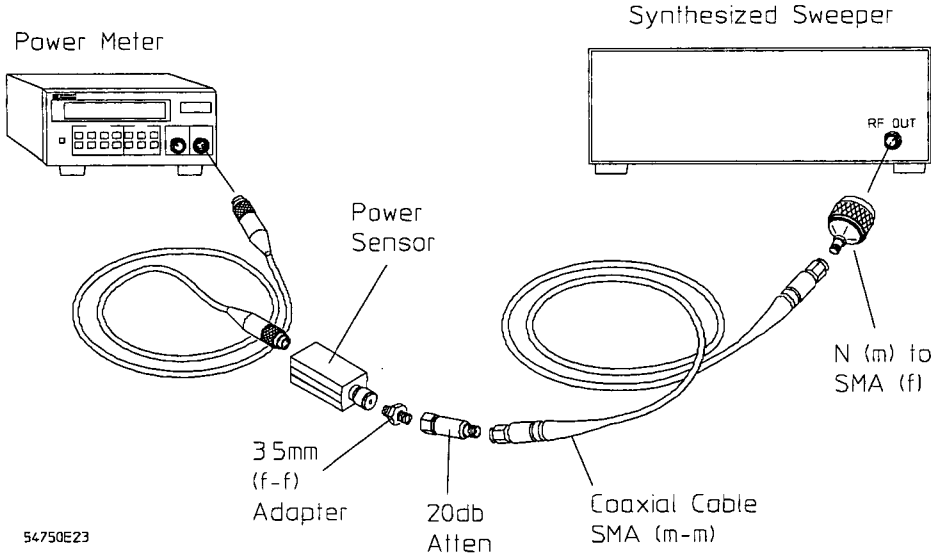
Equipment	Critical Specifications	Recommended Model/Part
Synthesized sweeper	20 GHz, +6 dBm, 25 dBc subharmonics	HP 83620A or 8341A/B Opt 003
R F Amplifier	Gain 22 dB at 10 MHz, flatness ± 1.5 dB, harmonic distortion -30 dB for 0 dBm output, BW 100 kHz to 1.3 GHz	HP 8447E/F
Power Meter	20 GHz	HP 437B
Power sensor	20 GHz, 3.5 mm connector	HP 8485A
Calculator	Log base 10 function	
20 dB attenuator	3.5 mm connections	HP 8493C/020 or 33340C/020
Adapter (2)	BNC(f) to SMA(m)	HP 1250-1200
Adapter	N(m) to 3.5 mm(m)	HP 1250-1743
Adapter	3.5 mm(f-f), 26.5 GHz	HP 1250-1865
Adapter	3.5 mm(M-F), precise male end	HP 1250-1866
Adapters	3.5 mm (m-f) precise both ends	HP 1250-1866
Cable	Precise SMA, 26.5 GHz	HP 54007-61604
BNC Cable (2)	8 inches	HP 10503A

Characterizing the sweep generator's output

The sweep generator's output will change slightly from one day to the next day. That makes this part of the calibration procedure difficult to repeat. Improperly torqued connectors or using a different 20 dB pad is the most likely source of errors for regaining previously obtained values.

Type of Equipment	Model number	Serial number
Synthesized sweeper	_____	_____
Power meter	_____	_____
Power sensor	_____	_____

- 1 Calibrate and zero the power meter before connecting the sensor to the device under test. Use an N type (m) to 3.5 mm (f) adapter.
- 2 Connect the equipment as shown below.



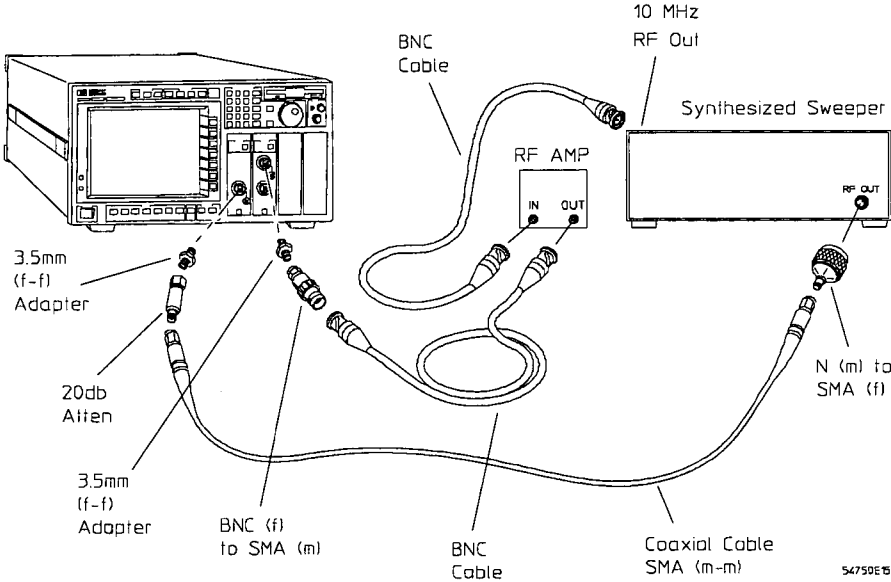
- 3 Set the sweep generator's frequency to 50 MHz.
- 4 Set the output power to +6 dBm.
- 5 Set power meter's cal factor to 100%. **DO NOT** change its setting during the following steps.

Record the reading of the power meter in μW in step 19 part 1.

- 6 Change the sweeper's frequency to 12.4 GHz and 19.98 GHz and record the power meter μW readings in step 20 part 1.

Record power sensor cal factors (CF) in step 20 part 2 (assume 100% for 50 MHz).

- 7 Connect the equipment as shown below.



Testing Performance
To test bandwidth

- 8 Press the mainframe Storage Setup key, then press the **Default setup** softkey.
- 9 Press the Acquisition key, set the **Averaging** softkey to **on**, set the **# of averages** softkey to **64**. Press the right channel Setup key, change the **Scale** softkey to **20 mV/div**, and the **Bandwidth** softkey **12.4 GHz**, then set the **Display** softkey **off**. Press the left channel key, change the **Scale** softkey to **20 mV/div** and the **Bandwidth** softkey to **12.4 GHz**. Press the Time base key, then set the **Scale** softkey to **5 ns/div**.
- 10 Set the sweeper frequency to 50 MHz.
- 11 Press Shift (Blue) key, **Vrms** key, change the **Meas window** softkey to **display**, set the **RMS method** softkey to **AC**, then press the **Enter** softkey.
Note the VRMS reading on the bottom of the screen and record the value in step 20 part 3.
- 12 Press Clear Display key and wait for 64 averages to accumulate at the top left corner of the screen.
- 13 Change the sweep speed to 15 ps/div.
- 14 Change the sweeper frequency to 12.4 GHz and repeat step 12
- 15 Press the left channel Setup key, then set the **Bandwidth** softkey to **20 GHz**.
- 16 Change the sweeper frequency to 19.98 GHz and repeat step 12.
- 17 Press the left channel Setup key, and turn display OFF.
- 18 Press the right channel Setup key, turn the display on, then set the **Bandwidth** softkey to **12.4 GHz**. Press the Time base key, then set the **Scale** softkey to **5 ns/div**. Move the signal input from the left channel to the right channel.
- 19 Repeat steps 10 thru 16 for the right channel.
- 20 Calculate the bandwidth gains of the analyzer at 12.4 GHz and 20 GHz with the values and formula listed below.

Part 1 Frequency	Sweeper output in μW	Part 2 Frequency	Power sensor cal. factor	Part 3 Frequency	Channel A	Channel B
50 MHz	_____ μW	50 MHz	_____	50 MHz	_____	_____
12.4 GHz	_____ μW	12.4 GHz	_____	12.4 GHz	_____	_____
19.98 GHz	_____ μW	19.98 GHz	_____	19.98 GHz	_____	_____

Example

Power meter reading at low frequency of 50 MHz = 38.8 μW
 Power meter reading at high frequency of 20 GHz = 27.6 μW
 VRMS of analyzer at low frequency of 50 MHz = 43.79 μV
 VRMS of analyzer at high frequency of 19.98 GHz = 28.55 μV
 CF of power meter at low frequency of 50 MHz = 100%
 CF of power meter at high frequency of 19.98 GHz = 91.7%

$$\text{Gain} = 10 \log_{10} \left[\frac{\text{Power Meter reading 50 MHz}}{\text{Power Meter reading high freq}} \right] \left[\frac{\text{CF high freq}}{\text{CF 50 MHz}} \right] \left[\frac{\text{V}_{\text{RMS high freq}}}{\text{V}_{\text{RMS 50 MHz}}} \right]^2$$

54120BDO

$$-2.6\text{dB} = 10 \log_{10} \left[\frac{38.8 \mu\text{W}}{27.6 \mu\text{W}} \right] \left[\frac{91.7\%}{100\%} \right] \left[\frac{28.55 \mu\text{V}}{43.79 \mu\text{V}} \right]^2$$

To test the input reflection

This test uses an HP 54120 series TDR to measure the amount of reflection each channel reflects back to the test line when pulsed with a fast edge signal.

A separate HP 54750A/54754A TDR system can be substituted for the 54120 TDR system, however, the HP 54750 Menu keys will need to be substituted into this procedure.

Specifications

Percent reflection: For channels 1 - 2, $\pm 5\%$ for 30 ps risetime. For external trigger, $\leq 10\%$ for 100 ps risetime.

Equipment required

Equipment	Critical Specifications	Recommended Model/Part
TDR system	30 ps, 100 ps normalized risetime	HP 54120A/B and HP 54121A
Termination	50 Ω , 3.5 mm (f)	HP 909D/011
Adapter	3.5 mm(m-m), 26.5 GHz	HP 1250-1864
Adapter	3.5 mm(f-f), 26.5 GHz	HP 1250-1865
Coaxial short	3.5 mm(f)	HP 1250-2127
Coaxial short	3.5 mm(m)	HP 1250-2128
Cable	Precise SMA (f-m), 26.5 GHz	HP 54007-61604

- 1 Perform a one-keydown power up on the 54120 system.
Hold any key and cycle the power off and on. Continue to hold the key down until graticules are displayed on screen.
- 2 Change the oscilloscope settings for the HP 83483A so that channels 1 and 2 are OFF.
- 3 Set up the TDR equipment with the following settings:
 - a In the Display, set Mode to Averaged, Averages =16, and Screen to Single.
 - b In the Timebase, set Time/Div to 350 ps/div, Delay to 20.4 ns, and Freerun rate to 10 kHz.
 - c In Channels, set Channel to 1, Display to ON, Volts/Div to 80 mV/div, Offset to 200 mV, Probe Atten to 1, and set channels 2 - 4 OFF.
 - d In Network, set Reflect/Trans/CAL to Reflect and set Step & Chan 1 to ON.
- 4 Connect the precise SMA cable to the HP 54121A channel 1 (TDR output). From the Timebase menu, adjust delay so that the signal's second rising edge (representing an open circuit condition) is 4 divisions left of center. Change channel 1 to 5 mV/div. Press the Network menu, and press the Reflect/Trans/CAL key until Cal is highlighted.
- 5 Press the Reflect Cal key. Connect a coaxial short with a 3.5 mm (f) connector to the cable. Press the Reflect Cal key again.
- 6 Remove the coaxial short from the cable and connect a 50 Ω termination 3.5 mm (f) to the cable. Press the Reflect Cal key again.
- 7 Remove the 50 Ω termination from the cable and connect the cable to the HP 83483A left channel input. Press Clear Display key and wait for 16 averages to accumulate.
- 8 Press the Network menu key. Press Reflect/Trans/CAL until Reflect is highlighted.
- 9 Set normalized risetime to 30 ps. Press the Normalize to mem 1 key.
- 10 When Normalizing is complete, press the Stop key, and press the Clear Display key.

Testing Performance
To test the input reflection

- 11 Press the Cursor key until mem 1 is highlighted.
- 12 Press the Min & Max Reflect key. The absolute value of Rho minimum and Rho maximum should be <5%. Record the results in the Performance Test Record.
- 13 Press the Run key.
- 14 Disconnect the cable from the left channel and connect it to the right channel.
- 15 Press the Clear Display key.
- 16 Repeat steps 9 through 15 for the right channel.
- 17 Repeat steps 3 through 13 for external input trigger, except change Time/div to 1 ns/div, normalize risetime from 30 ps to 100 ps, and change the Rho limits from 5% to 10%. Record the results in the Performance Test Record.

Performance Test Record

Performance Test Record



HP 83483A Plug-in

Serial No. _____

Tested by _____

Recommended Test Interval - 1 Year/2000 hours

Work Order No. _____

Recommended next testing _____

Date _____

Mainframe Model No. _____

Temperature _____

Mainframe Serial No. _____

Plug-in delta Temperature _____

Test	Limits	Results						
		Minimum	Actual	Maximum				
Voltage Measurement Accuracy	Left channel	12.4 GHz bandwidth 0 V offset	-2.16 mV	_____	2.16 mV			
		20 GHz bandwidth 0 V offset	-2.16 mV	_____	2.16 mV			
		+ offset gain 500 mV offset	496 mV	_____	504 mV			
		- offset gain -500 mV offset	-504 mV	_____	-496 mV			
		12.4 GHz + sampler gain 250 mV offset	243.3 mV	_____	256.7 mV			
		20 GHz + sampler gain 250 mV offset	246.8 mV	_____	258.2 mV			
		12.4 GHz - sampler gain -250 mV offset	-256.7 mV	_____	-243.3 mV			
		12.4 GHz dual voltage marker	490.6 mV	_____	509.4 mV			
		20 GHz - sampler gain -250 mV offset	-258.2 mV	_____	-241.8 mV			
		20 GHz dual voltage marker	487.6 mV	_____	512.4 mV			
		12.4 GHz Noise	_____	_____	0.5 mV rms			
		20 GHz Noise	_____	_____	1.0 mV rms			
		Right channel	12.4 GHz bandwidth 0 V offset	-2.16 mV	_____	2.16 mV		
			20 GHz bandwidth 0 V offset	-2.16 mV	_____	2.16 mV		
	+ offset gain 500 mV offset		496 mV	_____	504 mV			
	- offset gain -500 mV offset		-504 mV	_____	-496 mV			
	12.4 GHz + sampler gain 250 mV offset		243.3 mV	_____	256.7 mV			
	20 GHz + sampler gain 250 mV offset		241.8 mV	_____	258.2 mV			
	12.4 GHz - sampler gain -250 mV offset		-256.7 mV	_____	-243.3 mV			
	12.4 GHz dual voltage marker		490.6 mV	_____	509.4 mV			
	20 GHz - sampler gain -250 mV offset		-258.2 mV	_____	-241.8 mV			
	20 GHz dual voltage marker		487.6 mV	_____	512.4 mV			
	12.4 GHz Noise		_____	_____	0.5 mV rms			
	20 GHz Noise		_____	_____	1.0 mV rms			
	Bandwidth	Left channel	12.4 GHz	_____	_____	Actual	Maximum	-3.00 dB
			19.98 GHz	_____	_____	_____	_____	-2.99 dB
Right channel		12.4 GHz	_____	_____	_____	_____	-3.00 dB	
		19.98 GHz	_____	_____	_____	_____	-2.99 dB	
Input Reflection	Left channel(30 ps)	positive	_____	_____	_____	_____	5%	
		negative	_____	_____	_____	_____	5%	
	Right channel(30ps)	positive	_____	_____	_____	_____	5%	
		negative	_____	_____	_____	_____	5%	
	Trigger (100 ps)	positive	_____	_____	_____	_____	10%	
		negative	_____	_____	_____	_____	10%	

Calibration Interval 4-3
Calibration Status Displays 4-4
To calibrate the plug-ins 4-6
To do the extended plug-in calibration 4-8
To adjust feed-through compensation 4-10

Calibrating and Adjusting

This chapter has procedures for calibrating the plug-in to the mainframe. To calibrate the mainframe, refer to the Service Guide supplied with the mainframe. Areas covered in this chapter include:

- Calibration interval
- Calibration status displays
- Plug-in calibration

See also

"Calibration Overview" in chapter 4 of the Service Guide supplied with the mainframe for an overview of the frame, plug-in, and probe calibrations.

Equipment Required

Equipment required for these procedures is listed in the Recommended Test Equipment table in chapter 1 of this manual. Any equipment that satisfies the critical specification listed in the table may be substituted for the recommended model. Equipment for individual procedures is listed at the procedure.

Keystroke Conventions

To guide you while setting up the instrument, the following conventions are used to represent keystrokes and other interactions with the instrument.

When you need to press a front-panel key (also called a hardkey), you will be instructed to press a specific key. For example, press the Time base key.

Bold text, such as **Display** or **Calibrate...**, represents text on the CRT screen and may be a softkey you should press or a selection you should make. For example, press the **Scale** softkey, and use the knob to set the scale to **1 ns/div**.

The blue key that has no writing on it is a shift key. It allows you access to the functions written in blue above some of the front-panel keys. For example, press the blue shift key, then press the Limit test key. When the shift function is active, the green LED next to the blue shift key is on.

Calibration Interval

Plug-in calibration allows the instrument to establish the vertical calibration factors for a particular plug-in in a particular mainframe slot that it is calibrated in. Plug-in vertical specifications only apply when the plug-in is used in the mainframe slot it was calibrated in. Typically, however, once a plug-in has been calibrated in any slot, it will meet specifications in any other mainframe slot.

For optimum measurements, the instrument user should perform the plug-in software calibration regularly. The plug-in gives optimal vertical dc measurement accuracy when operated within $\pm 2^{\circ}\text{C}$ ($\pm 3.6^{\circ}\text{F}$) of the last plug-in calibration. The dc measurement accuracy specification increases slightly when operated within $\pm 5^{\circ}\text{C}$ ($\pm 9^{\circ}\text{F}$) of the temperature of the last plug-in calibration. See Note 1 in voltage measurement accuracy Performance Test or Performance Specifications section in chapter 1 for more details. The plug-in software calibration takes about two minutes.

A switch in the plug-in is used to enable or disable plug-in calibration. The plug-in side cover must be removed to gain access to the switch. Normally this switch is set in the unprotected (enabled) position so the instrument user can do the plug-in calibration periodically.

Mainframe and plug-in calibration should be done under any of the following conditions:

- Yearly or every 2,000 hours of operation.
- If the instrument temperature is more than 5°C different than the temperature when the last calibration was done or $\pm 2^{\circ}\text{C}$ when optimal dc measurement accuracy is desired.
- If you are going to use the mainframe to calibrate plug-ins.

CAUTION

Warm up the instrument for at least 60 minutes before starting these procedures. Failure to achieve a stable temperature before calibration may result in temperature shifts that void the calibration. For temperature and electrical stability, all calibrations must be done with the rear panel and all rear panel hardware installed.

Calibration Status Displays

The calibration status displays show the current calibration status of the mainframe and plug-ins for normal accuracy and best accuracy. There are two displays, one through the Utility menu and one, specifically for each plug-in, through the channel setup menu.

The status of Calibration Memory, and the Current Frame and plug-in ΔTemp, update only when the Cal status display is entered.

Frame Calibration Status

The following figure shows the display, and the table explains the features. This display also shows an abbreviated version of the plug-in status. To enter this display, press the Utility key, press the **Calibrate...** softkey, then set the **Cal status** softkey to on.

Current Frame ΔTemp : -3°C

Frame

Calibration Status : Calibrated
 Last Calibration : 9 FEB 94 11:53
 Calibration Memory : Protected

Other Calibration Status : Passed
 Comments:

Plug-ins						
Slot	Model	Memory	Date	Time	Accuracy	ΔTemp
1	83483A	Protected	3 MAY 94	15:28	Calibrated	
2						
3	83483A	Protected	3 MAY 94	15:28	Calibrated	
4						

Calibrate

Calibrate plug-in...

Calibrate frame

Samplers
 disabled enabled

Cal status
 off on

Level
 0.0 U

Exit

Frame Calibration Status

Frame

Current Frame ΔTemp

Displays the current internal temperature of the instrument compared to the temperature at which the frame was calibrated, in increments of one degree centigrade.

Calibration Status

Displays Calibrated or Uncalibrated.

Last Calibration

Displays the date and time of the last frame calibration.

Calibration Memory

Shows the setting of the Frame cal memory protect switch.

Other Cal. Status

Displays Passed, Failed, or Calibrating

Comments

This area is for text that can be programmed over the HP-IB. See "Calibrate Subsystem" in the Programmer's Reference supplied with the mainframe.

Plug-ins

Slot

The front panel plug-in position.

Model

The model number of the plug-in currently in the slot. Unfilled slots register "empty." If the mainframe does not recognize the plug-in, "~known" is displayed instead of the model number. If "~known" is displayed, refer to the User's Reference for the plug-in.

Memory

Shows the status of the calibration switch in the plug-in.

When calibration is disabled, Protected is displayed.

When calibration is enabled, Unprotected is displayed.

Date

The date the plug-in was calibrated.

Time

The time the plug-in was calibrated.

Accuracy

This shows the plug-in calibration status, Calibrated or Uncalibrated

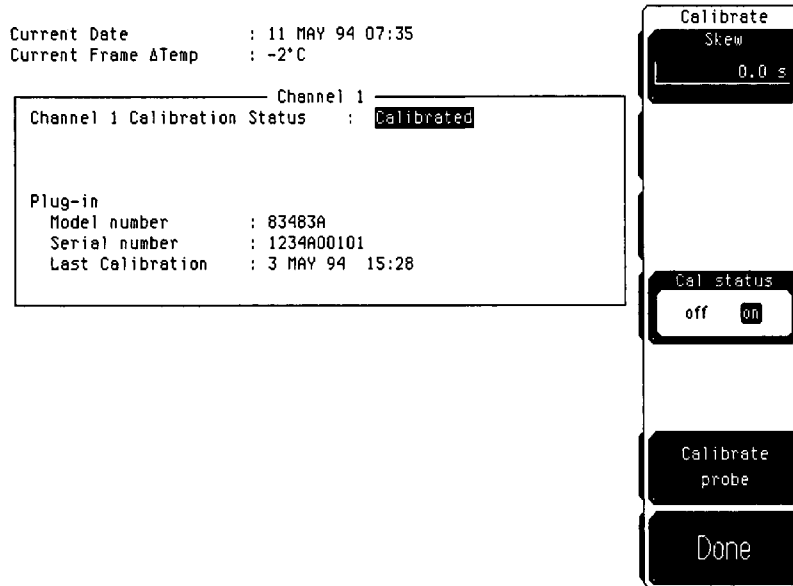
Δ Temp

The change in temperature since the plug-in was last calibrated.

Plug-In Calibration Status

The following figure shows the plug-in calibration status display and the table explains the features.

To enter this display, press the Channel key, press the **Calibrate...** softkey, then set the **Cal status** softkey to on.



Plug-In Calibration Status

Current Date	Date and time reflected by the internal clock.
Current Frame ΔTemp	The current internal temperature of the instrument compared to the temperature at which the frame was calibrated, in increments of one degree centigrade.
Channel X Calibration Level	Displays Uncalibrated or Calibrated
Plug-in	Shows other relevant plug-in data. The model number is derived from a hardware ID on the PC board. The serial number is set through the Utility Service menu. Last Calibration is the date and time of the last calibration level.

To calibrate the plug-ins

If the plug-in was repaired or if it failed its dc accuracy test, do the extended plug-in calibration on the following page. The extended plug-in calibration adds a couple of steps that are not part of the following procedure.

Plug-in calibration allows the instrument to establish the vertical calibration factors for a particular plug-in in a particular mainframe slot that it is calibrated in. Plug-in vertical specifications only apply when the plug-in is used in the mainframe slot it was calibrated in. Typically, however, once a plug-in has been calibrated in any slot, it will meet specifications in any other mainframe slot.

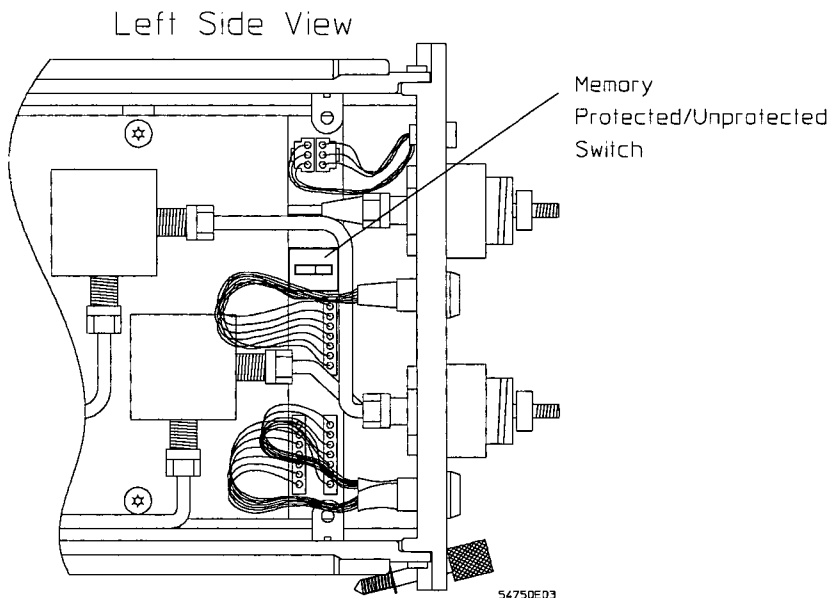
For optimum measurements, the instrument user should perform the plug-in calibration regularly. Especially if the operating temperature has changed over 2 deg C since the last plug-in cal. If the plug-in temperature has changed more than ± 2 deg C and less than ± 5 deg C since the last plug-in calibration, the single and dual voltage marker specifications increase slightly. See the specification section in chapter 1 for more information.

A switch in the plug-in is used to enable or disable plug-in calibration. The plug-in side cover must be removed to gain access to the switch. Normally this switch is set in the unprotected (enabled) position so the instrument user can do the plug-in calibration periodically.

CAUTION

Warm up the instrument for at least 60 minutes before starting these procedures. Failure to achieve a stable temperature before calibration may result in temperature shifts that void the calibration. For temperature and electrical stability, all calibration must be done with the rear panel and all rear panel hardware installed.

- 1 If the plug-in memory is protected, enable plug-in calibration by doing steps a through d. If memory is not protected, go to step 2.
 - a Remove the plug-in from the mainframe.
 - b With a small flat tool, remove the leftside plug-in cover by prying gently at the rear corners, lifting, and sliding it back.
 - c Set the calibration switch to the ENABLE (unprotected) position.



- d Replace the cover and put the plug-in back into the mainframe.

- 2 Press the Utility key, then press the **calibrate . . .** softkey.
- 3 Press **Calibrate plug-in . . .** softkey, then press the **Plug-in** softkey to select the plug-in to be calibrated.
- 4 Press the **start cal** softkey, then follow the instructions on the display.
- 5 After the instructions have been followed, press the **Continue** softkey.
The status bar will show the progress of calibration. When calibration is complete, the display will show the message "Calibration completed."
- 6 If desired, select the next channel to be calibrated and repeat the procedure.

To do the extended plug-in calibration

Only do this procedure if the plug-in was repaired or if it failed its dc accuracy test. Otherwise, do the plug-in calibration on the previous page. The extended plug-in calibration adds a couple of steps that are not part of the previous procedure.

Plug-in calibration allows the instrument to establish the vertical calibration factors for a particular plug-in in a particular mainframe slot that it is calibrated in. Plug-in vertical specifications only apply when the plug-in is used in the mainframe slot it was calibrated in. Typically, however, once a plug-in has been calibrated in any slot, it will meet specifications in any other mainframe slot.

For optimum measurements, it is recommended that the instrument user perform the plug-in calibration regularly. Especially if the operating temperature has changed over 5 deg C since the last plug-in cal. The plug-in calibration calibration just takes about two minutes per channel. See Calibration Interval for the warmup time.

A switch in the plug-in is used to enable or disable plug-in calibration. The plug-in side cover must be removed to gain access to the switch. Normally this switch is set in the unprotected (enabled) position so the instrument user can do the plug-in calibration periodically.

Equipment Required

Equipment	Critical Specifications	Recommended Model/Part
Cable	BNC, 12 inch	HP 8120-1838
Adapter	BNC(f) to SMA (m)	HP 1250-1200
Adapter	3.5 mm (f-f)	HP 5061-5311 (supplied)

CAUTION

Warm up the instrument for at least 60 minutes before starting these procedures. Failure to achieve a stable temperature before calibration may result in temperature shifts that void the calibration. For temperature and electrical stability, all calibration must be done with the rear panel and all rear panel hardware installed.

- 1 If the plug-in memory is protected, enable plug-in calibration by doing steps a through d. If memory is not protected, go to step 2.
 - a Remove the plug-in from the mainframe.
 - b With a small flat tool, remove the rightside plug-in cover by prying gently at the rear corners, lifting, and sliding it back.
 - c Set the calibration switch to the ENABLE position.
 - d Replace the cover and put the plug-in back into the mainframe.
- 2 Press the Utility key, then press the **Service...** softkey.
- 3 Press the **Plug-in...** softkey, then press the **Plug-in** softkey to select the plug-in to be calibrated.
- 4 Press the **Initialize plug-in memory** softkey, then follow the instructions on the display.

It takes several seconds to initialize the plug-in's memory. The status bar indicates the progress of the procedure.
- 5 After the message "Storing complete" is displayed, press the Utility key, then press the **Calibrate...** softkey.

- 6 Press **Calibrate plug-in...** softkey, then press the **Plug-in** softkey to select the plug-in to be calibrated.
- 7 Press the **Start cal** softkey, then follow the instructions on the display.
- 8 After the instructions have been followed, press the **Continue** softkey.
The status bar will show the progress of calibration. When calibration is complete, the display will show the message "Calibration completed."
- 9 If desired, select the next channel to be calibrated and repeat the procedure.

To adjust feed-through compensation

This procedure adjusts the feed-through compensation on the plug-in. When the samplers are turned off, there is a small amount of parasitic (unwanted) feedthrough of signals through the samplers. This is caused by parasitic capacitance and resistive coupling through the samplers. In this procedure, the samplers are turned off and two pots on each channel are adjusted for minimum feedthrough.

Equipment Required

Equipment	Critical Specifications	Recommended Model/Part
Pulse/Function Generator	500 mVp-p, 15 kHz square wave	HP 8116A or 3325B
Cable (2)	BNC, 48 inch	HP 10503A
Adapter	BNC(f) to SMA(m)	HP 1250-1200
Adapter	3.5 mm (f-f)	HP 5061-5311 (supplied)

- 1 Remove the HP 83483A plug-in from the mainframe.
 - a Remove the left-side cover from the plug-in by prying the rear corners up until the cover releases from the top and bottom rails.
 - b Find the four pots on the sampler/IF board and preset these full clockwise.
- 2 Place the plug-in into mainframe slots 3 and 4, and allow to warmup for at least 60 minutes.
- 3 Using an HP 3325B or equivalent pulse/function generator, connect a 500 mV, 15 kHz square wave to channel 3 (left channel of plug-in).
- 4 Connect the trigger out of the pulse generator to Trigger input on the plug-in.
- 5 Press the Setup key, then press **Default setup** softkey.
- 6 Press the Time base key, then change Scale to 10 μ s/div, Position to 22 ns, and Reference Left.
- 7 Press the Trigger key, then change Level to 500 mV and Slope to +.
- 8 Press the Acquisition, set the **Averaging** softkey to On, and the **# of Averages** softkey to 4.
- 9 Press the Setup Channel key on channel 3, then change Scale to 50 mV/div.
- 10 Press Setup Channel key on channel 4, then change Scale to 50 mV/div.
- 11 Press the Utility key, press the **Calibrate...** softkey, then set the **sampler** softkey to **Disabled**.

This disables the samplers from firing which allows only the feedthrough signal to be seen on screen.

ESD Precautions 5-2
Equipment Required 5-2
Keystroke Conventions 5-3
Trouble Isolation 5-3
Quick Checks 5-4
Primary Trouble Isolation 5-6
Functional Failure Isolation 5-8
Functional Failure Isolation 5-13

Troubleshooting

This section provides troubleshooting information for the plug-in. The service strategy of this instrument is replacement of defective assemblies, so the troubleshooting is designed to isolate a failed PC assembly, sampler, pulse filter, or cable. Trouble isolation of the plug-in requires checking the plug-in in a working mainframe.

ESD Precautions

When using any of the procedures in this chapter, you should use proper ESD precautions. As a minimum, if you are working with the plug-in on an extender cable, you should place the instrument on a properly grounded ESD mat and wear a properly grounded ESD wrist strap.

Equipment Required

A complete list of equipment needed for testing this instrument is in the Recommended Test Equipment table in chapter 1, "General Information." You need the tools normally used when troubleshooting electronic equipment. If you need to remove and replace parts and assemblies, you will need some of the hand tools listed in chapter 6, "Replacing Assemblies."

You can use an extender cable to operate the plug-in on the bus interface outside of the mainframe. You need a 25-conductor cable with a 25-pin, female, D-subminiature connector on one end, and a 25-pin, male, D-subminiature connector on the other. The cable should be about 2 feet long.

CAUTION

The plug-in must be properly grounded. Failure to ground the plug-in before connecting the extender cable can cause circuit failures on the mainframe CPU board. The grounding when using the extender is not the same as when the plug-in is installed in the mainframe.

You must first do the following before you extend a plug-in:

- Turn the instrument to Standby when connecting and disconnecting the plug-in.
- Ground the plug-in to the mainframe with a separate wire before you connect the extender cable to the plug-in.

You can use an RS-232-type cable with all 25 pins wired pin-for-pin, or you can build a cable using the parts below. However, these cables will not connect the sampler strobe and trigger signals to the mainframe. Also, you need to remove one conductor from the ribbon cable noted below.

	Female Connector	Male Connector	Cable
3M Part No.	8325-6000	8225-6000	3365-26
HP Part No.	1252-0048	1251-8352	8120-1506

OSP (Blindmate) extender cable

To isolate problems in the plug-in, it may be necessary to connect the strobe pulse by the OSP (Blindmate) extender cable. This cable consists of the following cables and adapters.

HP Part No. E2602-61601	Coaxial cable OSP (m) to SMA (m)
HP Part No. 83481-60006	Coaxial cable OSP (f) to SMA (m)
HP Part No. 1250-1158	Adapter SMA (f-f)

Keystroke Conventions

To guide you while setting up the oscilloscope, the following conventions are used to represent keystrokes and other interactions with the instrument:

To guide you while setting up the instrument, the following conventions are used to represent keystrokes and other interactions with the instrument.

When you need to press a front-panel key (also called a hardkey), you will be instructed to press a specific key. For example, press the Time base key.

Bold text, such as **Display** or **Calibrate . . .**, represents text on the CRT screen and may be a softkey you should press or a selection you should make. For example, press the **Scale** softkey, and use the knob to set the scale to **1 ns/div**.

The blue key that has no writing on it is a shift key. It allows you access to the functions written in blue above some of the front-panel keys. For example, press the blue shift key, then press the Limit test key.

Trouble Isolation

The trouble isolation information is provided to help you isolate a problem to a faulty assembly. When the faulty assembly has been located, the disassembly/assembly procedures in chapter 6, "Replacing Assemblies" help direct replacement of the assembly.

The primary procedural tool in this section is the flowchart. This chart contains the entire troubleshooting path from a failed instrument to a working one, and will direct you in an orderly manner through the failure symptoms. Reference letters on the flowchart point to sections of text that supplement the brief prompts in the chart. Do not try to troubleshoot by following only the supplemental text because the text is not in the correct order for troubleshooting. Instead, simply follow the flowchart.

- If you are uncertain that the plug-in is the cause of a failure, go to "Primary Trouble Isolation."
- If the plug-in does not respond in the mainframe or has failed calibration, go to "Functional Failures."

Quick Checks

If you are familiar with this instrument family, you can use the following optional checks to quickly isolate some major failures to be fairly certain the plug-in works.

1 Be sure the plug-in is at fault.

Install plug-ins in slots 1 and 2 or slots 3 and 4. The mainframe will not recognize a plug-in installed in slots 2 and 3. When you have any problem involving a plug-in, put the suspect plug-in in the other pair of slots where you know another plug-in performs properly and check for the failure. If the problem follows the plug-in, repair the plug-in. If the plug-in works, repair the mainframe.

2 Check the digital interface.

Press the Channel key. You should see the channel menu for the plug-in.

- If the response is correct, most of the digital interface in the plug-in is operating.
- If the instrument does not respond, the problem could be the keyboard, digital interface cable, or PC board.
 - a Simulate a key closure by using a piece of wire to short the brown and black wires at the keyboard connector. If the instrument responds, remove the keyboard and check for contamination or other problems.
 - b Check the bus interface cable using a digital multimeter to check cable continuity.
 - c If the keyboard and bus cable are working, replace the PC board.

3 Check channel menus

Press the Channel key, then press the **Scale** softkey. Use the knob and arrow keys to change the scale. Failure to respond is likely caused by the digital interface board.

4 Check autoscaling.

Apply a 0.5 V, 10 MHz sine wave to the channel and trigger inputs, then press the Autoscale key . If Autoscale operates, the instrument has found the signal and a trigger.

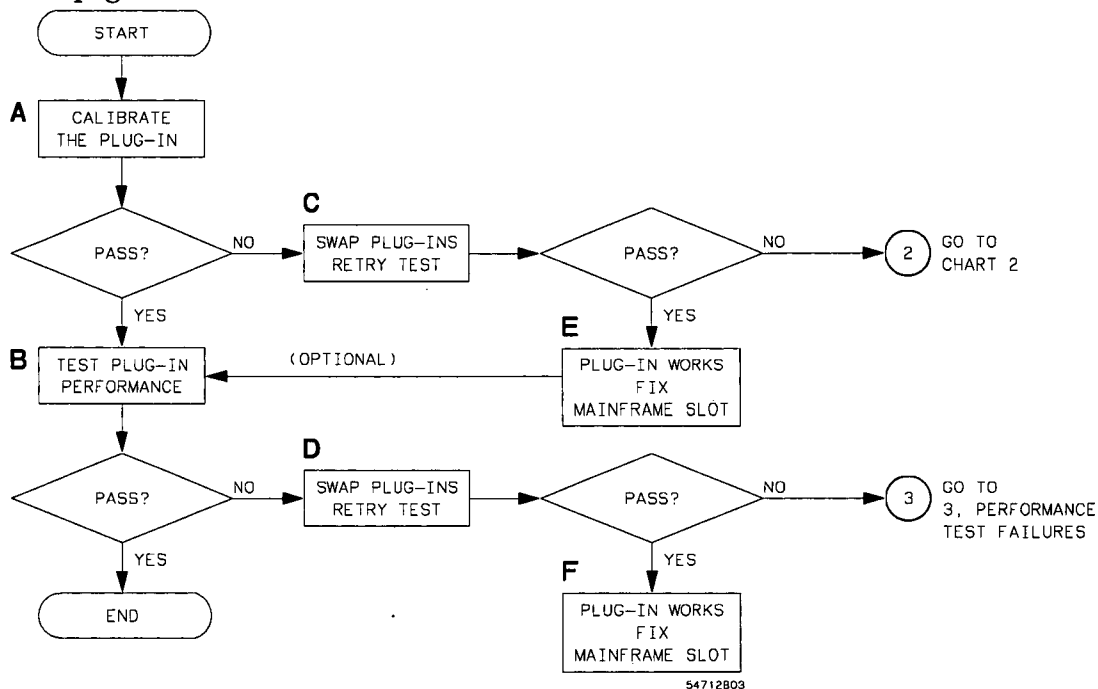
5 Check triggering.

Adjust the trigger level and check for changes.

6 Try calibration.

If the plug-in passes the plug-in calibration, any failure is most likely connected with performance tests and specifications.

7 If you are uncertain about the plug-in at this point, use the trouble isolation procedures to find the failure. The flowchart block descriptions are located on the next page.



Primary Trouble Isolation, Chart 1

Primary Trouble Isolation

Use the following text to supplement the steps in the flowchart on the previous page.

A Calibrate the plug-in.

1 Enable plug-in calibration.

a Remove the plug-in from the mainframe.

b Remove the left-side cover.

Use a small flat-blade screwdriver. Starting at one rear corner, pry up to release one side of the cover. The other side will follow.

c Set the calibration switch to the ENABLE position.

This is a single-pole DIP switch located at the front of the digital board. It can be reached by reaching past the front of the sampler/IF board.

d Replace the cover and put the plug-in back into the mainframe.

Insert the front of the cover under the edge of the front panel. Then push one long side of the cover into the plug-in, then the other.

Replacing the cover prevents cabling from getting caught and damaged.

2 Press the Utility key, press the **Calibrate . . .** softkey, then press the **Calibrate plug-in . . .** softkey.

3 Press the **Plug-in** softkey to select the plug-in to be calibrated.

4 Press the **Start cal** softkey, then follow the instructions on the display.

5 After the instructions have been followed, press the **Continue** softkey.

The status bar will show the progress of calibration.

When calibration is complete, the display will show **Calibration completed**.

B Test plug-in performance.

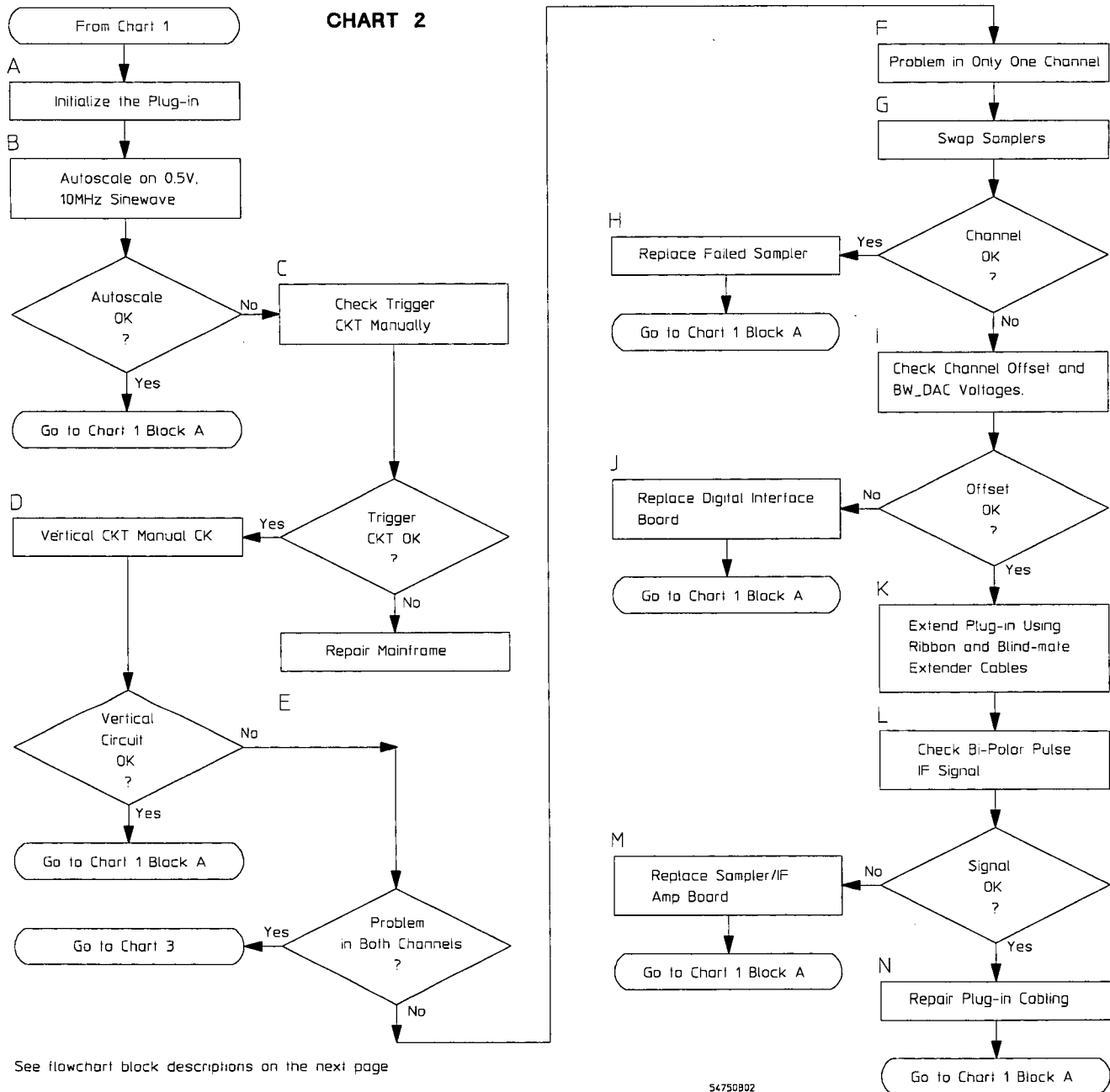
Do the performance tests in chapter 3 of this Service Guide.

C/D Swap plug-ins and retry the test.

Swap the plug-in into the other two slots and retry the failed calibration or performance test.

E/F The plug-in works. Troubleshoot the mainframe.

Since the plug-in operates in the other two slots, apparently the mainframe is at fault. Go to the mainframe troubleshooting procedures in chapter 5 of the Service Guide for the mainframe.



Functional Failure Isolation, Chart 2

Functional Failure Isolation

Use the following steps to supplement the steps in the chart 2 on page 5-7.

A basic function of the plug-in has failed. Use the following tests to find the failure. To avoid having to make plug-in choices in menus, remove the plug-in that is not being tested.

A Initialize the plug-in.

CAUTION

When you initialize the plug-in, plug-in calibration will be lost. Be aware of calibration traceability issues before proceeding.

- 1 Remove the left side cover from the plug-in, then set the memory protect switch to UNPROTECTED.
- 2 Press the Utility key, press the **Service** softkey, then press the **Plug-in** softkey.
If you did not remove the other plug-in, you will have to press **Plug-in** again to select the desired plug-in.
- 3 Press the **Initialize plug-in memory** softkey.
- 4 If you are not able to initialize the plug-in's memory, check the plug-in's cabling from the 25-pin rear panel connector to the digital interface board. If the cabling is good, the digital interface board may have failed.

B Autoscale on a known signal.

- 1 Connect 0.5 Vp-p, 10 MHz sine wave to the left channel and trigger inputs by using a power splitter, adapters, and cables.
- 2 Press the Autoscale key.

C Is the trigger functioning OK?

If the Autoscale failed, set up the system manually.

- 1 Disconnect the signal from the Channel and Trigger inputs.
- 2 Press the Setup key, then press the **Default setup** softkey.
- 3 Press the Time base key, then set the Scale to 20 ns/div.
- 4 On both plug-in channels, change the Scale to 50 mV/div and the bandwidth to 12.4 GHz.
- 5 Press the Trigger key, then set the **Sweep** softkey to **freerun**.

Each channel's traces should appear on the screen. The traces may be overlapped. The mainframe's freerun trigger circuit is functioning if the traces go across the screen. If the channel is damaged, the traces may be pegged at the top or bottom of the screen. But, that the traces appear somewhere on the screen shows that the freerun trigger circuit is functioning.

If the traces do not appear, the problem is in the mainframe. The mainframe's time base/acquisition assembly is the most likely cause.

- 6 Toggle the **Sweep** softkey to the **triggered**, then press the Clear Display key.

The traces on the screen should be cleared.

- 7 Reconnect the 0.5 volt signal to the Trigger input.

If the channel traces reappear on screen, the trigger circuit is functioning. The Triggered LED on the mainframe should also light.

- a If the traces do not appear, try adjusting the Trigger Level.

The input signal may have an offset. If so, adjust the trigger level to compensate for any signal offset.

- b If the traces still do not appear, check the trigger path cabling in the plug-in.
The trigger path is a straight through connection between the Trigger input and the upper 'Blind-mate' connector on the rear panel of the plug-in.
- c If the traces still do not appear, the trigger circuit in the mainframe's time base/acquisition assembly has a failure.

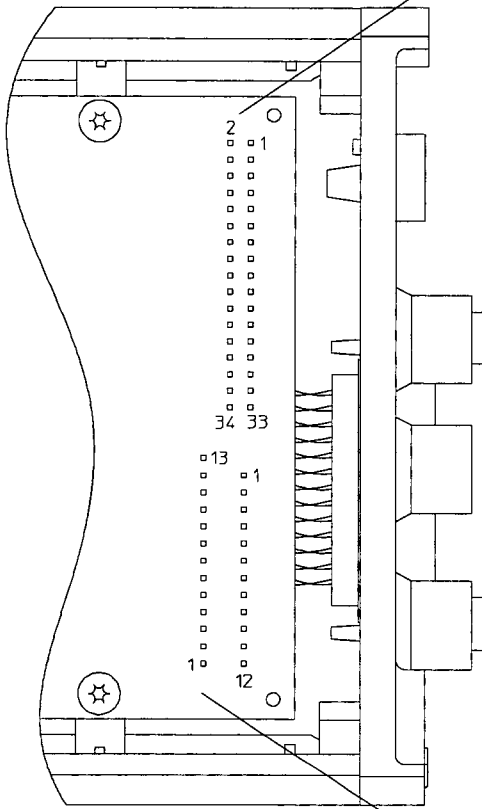
D Channel signals OK?

If the trigger circuit is functioning, connect the 0.5 volt peak-to-peak, 10 MHz sine wave to a channel input and the Trigger input through a power splitter. The signal should vary with the Scale V/div setting and move up and down with the channel offset. (When the plug-in is uncalibrated, the trace will likely move erratically when the offset is varied.) Move the signal to the other channel input and check that the signal varies with V/div scale and offset.

If the signals are not correct, the channel or channels are bad. Troubleshoot the respective channel.

- E** Continue on this chart if only one channel has a problem. Go to Chart 3 if both channels have the same problem. If both channels have problems, but not the same problem, continue on this chart and troubleshoot one channel at a time.
- F** Follow this leg for trouble isolation if only one channel has the problem passing a correct signal, or if both channels have a different type of failure. For example, one channel has no offset control, and the other channel passes no signal.
- G** If one channel passes a signal, but the other channel does not pass a signal or is off-screen. Swap the samplers between the working and the nonworking channels.
 - 1 Using good ESD methods, remove the the plug-in side covers, top rail, and etc. Disassemble the samplers for the sampling/IF amplifier board and reassemble with the samplers swapped from channel to channel.
 - 2 Check the plug-in operation in the mainframe. Did the problem stay with the suspect sampler or stay with the channel? If the problem stayed with the sampler, replace this failed sampler. If the problem stayed with the channel go on with the following step where the channel offset is checked.
- H** If the original problem stayed with the suspect sampler, replace the failed sampler and go back to the beginning of chart 1.
- I** If the problem stayed with the channel, the problem can be caused by the following: No offset voltage coming from offset DAC on digital interface board, the sampler/IF amplifier board may have a problem, or the associated cabling may be open.
 - 1 Turn off the power to the mainframe and extend the plug-in using a 25-pin extender cable. See "Troubleshooting" page 5-2 for information about how to make up this extender cable.
 - 2 Press the Setup key, then press **Default setup** softkey. Press the Trigger key, then set the **Sweep** softkey to **Freerun**. Change the respective channel scales to 100 mV/div. Set the respective channel Bandwidths to 12.4 GHz. Using a DMM or scope, monitor the sampler offset voltage on their respective pins on P1. See the Figure on the following page for the measurement points on the Digital Interface assembly. The respective ChX_Sampler_Offset should vary about ± 5 V as the channel Offset is varied to its positive and negative extremes. On a working channel on a plug-in that is uncalibrated (initialized), the trace should move up and down about 2.5 divisions from center screen.

Right Side View



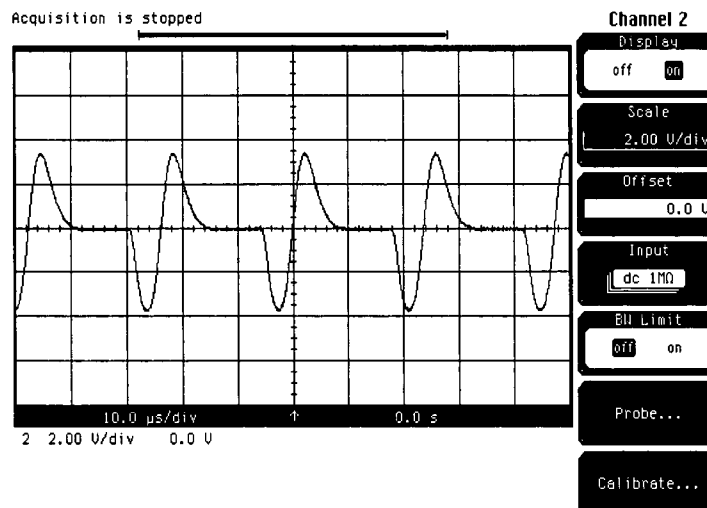
54750E04

- Ch2_IF □ □ Gnd
- BW_DAC_1 □ □ Gnd
- BW_DAC_2 □ □
- +15V □ □
- Gnd □ □ +15V
- 15V □ □ -15V
- 7VF □ □ Gnd
- Gnd □ □ -7VF
- +7V □ □ +7VF
- TEMP □ □ Gnd
- +5VR □ □ -5VR
- □ Gnd
- Gnd □ □
- Gnd □ □
- Gnd □ □ Ch1_Sampler_Offset
- Gnd □ □ Ch2_Sampler_Offset
- Gnd □ □ CH1_IF

- Gnd □
- Interrupt □ □ NC
- Gnd □ □ NC
- Ch1_IF □ □
- Ch2_IF □ □ Gnd
- +17V □ □
- 17V □ □ +7V
- Gnd □ □ -7V
- Enable □ □ Gnd
- Data_Out □ □ Addr/_Data
- Data_In □ □ Gnd
- Clock □ □ Gnd
- Busy J3 □ □ J4

Measurement points on the Digital Interface assembly

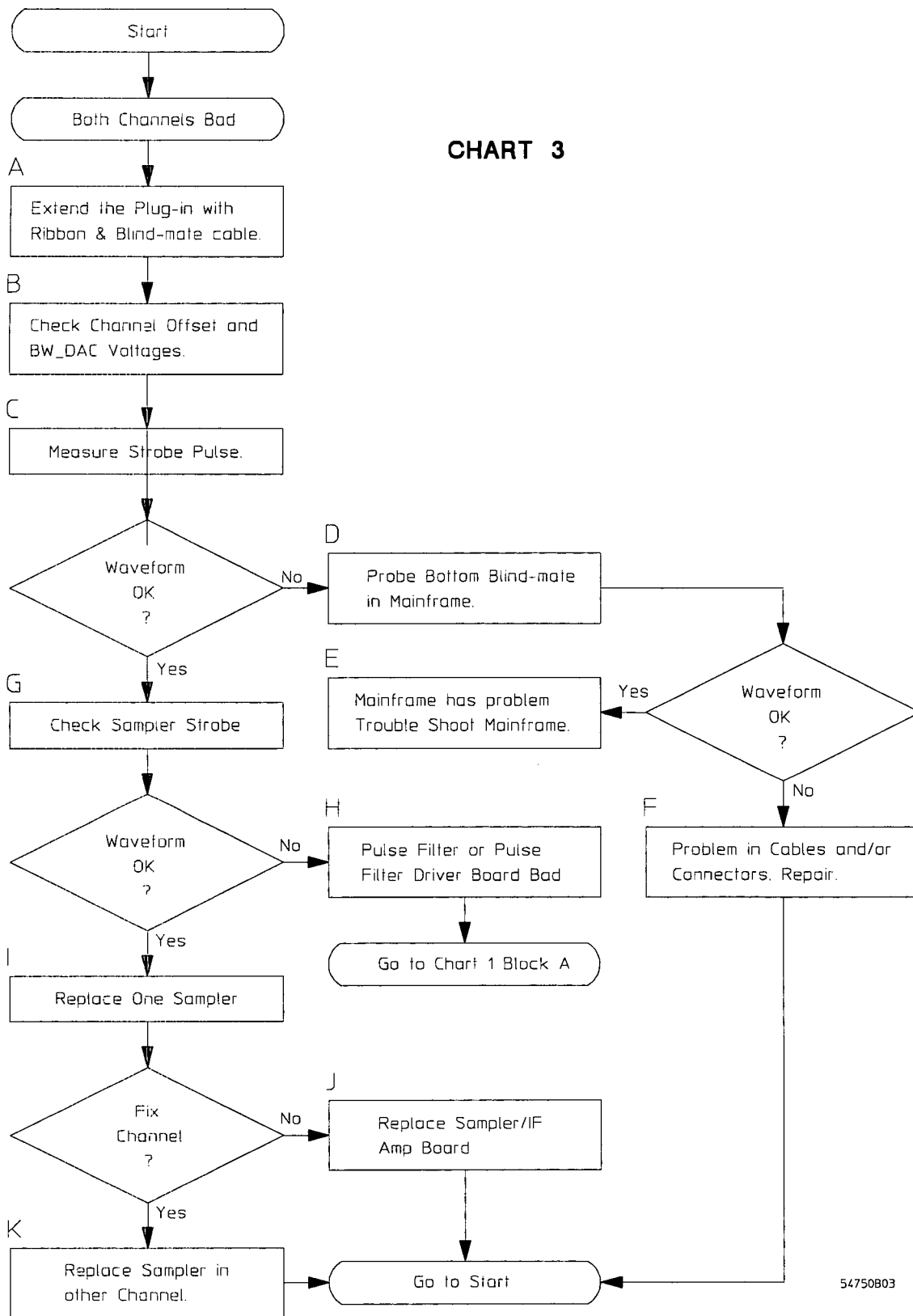
- 3 If the ChX_Sampler_Offsets vary correctly and the trace still does not move, the problem is in either the Sampler/IF Amplifier board or the connecting cabling.
 - 4 Using a DMM or an oscilloscope, monitor the bandwidth DAC voltages on their respective pins on P1. The respective BW_DAC_X voltage is typically approximately 350 mV in 20 GHz mode and approximately 290 mV in 12.4 GHz mode. Toggle the Channel Bandwidth between 20 GHz and 12.4 GHz. The respective BW_DAC_X voltage should switch between the above mentioned levels. If the voltages do not switch properly, replace the plug-in's Digital Interface board.
- J** If the ChX_Sampler_Offset line or lines do not vary correctly, replace the Digital Interface Assembly. Go to Chart 1, Block A after replacing this board assembly.
- K** If the ChX_Sampler_Offset lines vary correctly with the offset controls, the bad channel problem may be caused by the following: Ribbon cabling in the plug-in, the Sampler/IF Amplifier board, or the 25-pin interface connector between the plug-in and the mainframe. First verify if the Bi-polar pulse IF signals are present.
- 1 Turn off the power to the mainframe and extend the plug-in using.
 - a The 25-pin ribbon cable described on page 5-2.
 - b The Blind-mate extender cable. Carefully connect one end of the Blind-mate extender to the lower blind-mate connector in the plug-in cage and carefully connect the other end of the cable to the plug-in's lower blind-mate connector.
 - 2 Turn on the mainframe power. Press the Setup key, then press the Default setup softkey. Press the Trigger key, then set the Sweep softkey to freerun. Set the respective Channel Scales to 100 mV/div, Bandwidth to 20 GHz, and Offset to 300 mV.
- L** Probe the respective channel's ChX_IF signal. See the previous figure, "Measurement points on the Digital Interface assembly" for the pin location to probe. The ChX_IF bi-polar pulse signal should look like figure below "Bi-polar pulse IF signal." The amplitude and polarity of the signal should change as the channel offset is varied and the whether the offset is positive or negative. If the signal is not correct, replace the Sampler/ IF Amplifier assembly.
- M** If the Bi-polar Pulse IF Signal is bad, replace the Sampler/IF Amplifier board, and go back to Chart 1, Block A.
- N** If the Bi-polar Pulse IF Signal is good, the cabling carrying the signal back through the plug-in and into the mainframe must be bad. (This is assuming that the mainframe is working.) Repair the cabling and return to Chart 1, Block A.



Bi-Polar Pulse IF Signal

**Troubleshooting
Functional Failure Isolation**

CHART 3



54750803

Troubleshooting chart 3

Functional Failure Isolation 2

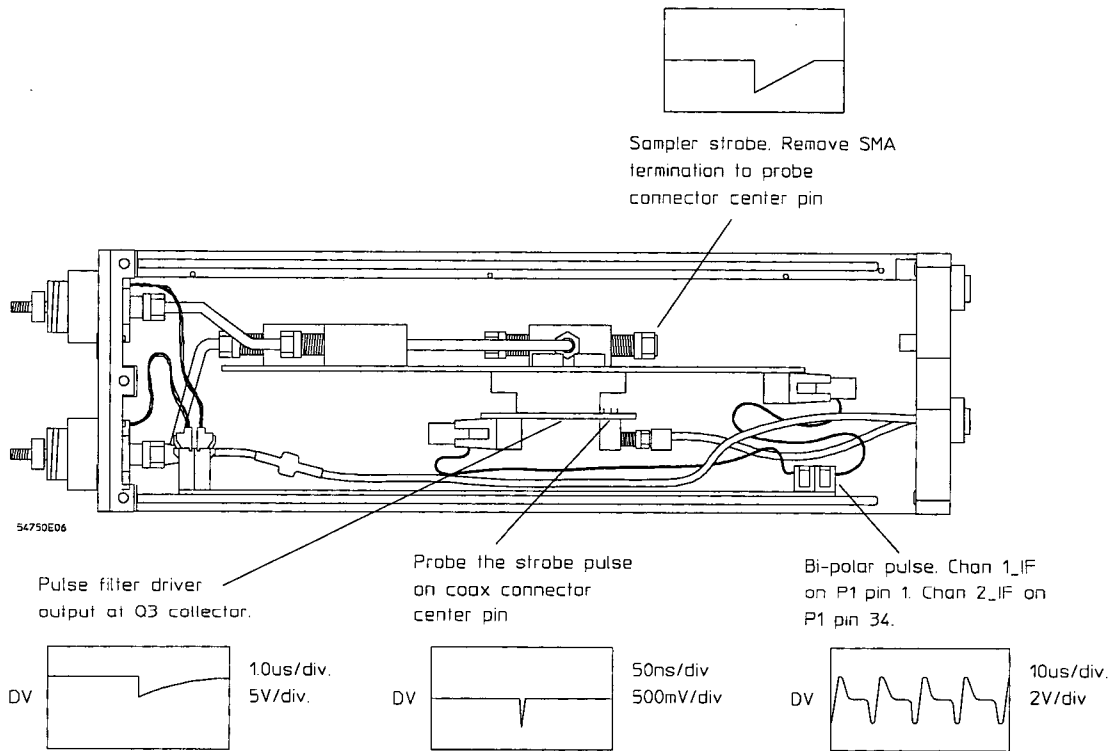
Use the following text to supplement the steps in chart 3 on page 5-12.

Both channels in the plug-in have the same or similar problems. This is a continuation of functional failure isolation procedure of flowchart 2. To avoid having to make plug-in choices in menus, remove the plug-in that is not being tested.

- A** Turn off the power to the mainframe and extend the plug-in using the the 25-pin ribbon cable and the blind-mate extender cable described on pages 5-2 and 5-3. Carefully connect one end of the blind-mate extender cable to the lower blind-mate connector in the mainframe's plug-in cage. Connect the other end of the blind-mate extender cable to the plug-in's lower connector.
- B** Check the Channel Offset and BW_DAC voltages.
 - 1** Press the Setup key, then press **Default setup** softkey. Press the Trigger key, then set the **Sweep** softkey to **Freerun**. Change the respective channel bandwidths to 12.4 GHz. Using a DMM or oscilloscope, monitor the sampler offset voltage on their respective pins on P1. See figure on page 5-10 for measurement points on the Digital Interface board assembly. The respective ChX_Sampler_Offset should vary ± 5 V as the respective channel Offset is varied to its positive and negative extremes. On a working channel on a plug-in that is uncalibrated (Initialized), the trace should move up and down about 2.5 divisions from center screen.
 - 2** If the ChX_Sampler_Offsets vary correctly and the trace still does not move, the problem is in either the Sampler/IF Amplifier board or the connecting cable.
 - 3** Using the DMM or oscilloscope, monitor the bandwidth DAC voltages (BW_DAC_X) on their respective pins on P1. The respective BW_DAC_X voltage is typically approximately 350 mV when in 20 GHz mode and approximately 290 mV in 12.4 GHz mode. Toggle the **Channel Bandwidth** softkey between 12.4 GHz and 20 GHz. The voltage levels should switch between the above mentioned levels. If the voltage levels are not correct, try to Initialize the plug-in to correct this problem. If the levels are still incorrect, replace the plug-in's Digital Interface board assembly.

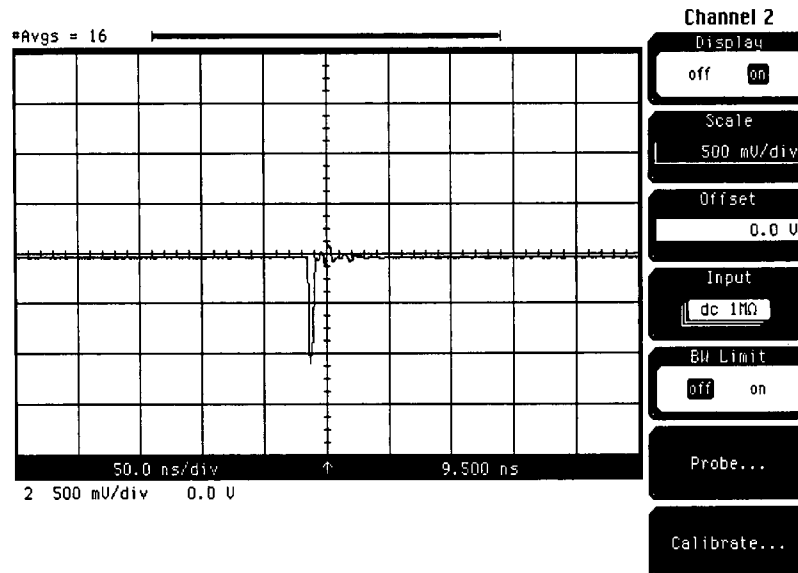
C Measure the Strobe Pulse. The Strobe Pulse comes from the mainframe into the plug-in through the lower Blind-mate connector. This strobe pulse fires the drive circuitry on the Pulse Filter Driver board. This in turn dumps current into the pulse filter to fire the samplers to sample the incoming waveform.

- 1** Turn on the power to the mainframe with the plug-in extended.
- 2** Press the Setup key, then press the **Default setup** softkey.
- 3** Press the Trigger key, then set the **Sweep** softkey to **Freerun**.
- 4** Remove the plug-in's top rail and measure the Strobe Pulse where the signal comes onto the Pulse Filter Driver board through the SMA to board adapter. Refer to the Figure below "Plug-in View With Top Rail Removed."



Plug-in View With Top Rail Removed

- 5 The waveform on the monitor display should look like the waveform below.



Strobe Pulse

- 6 If the waveform is not present coming onto the Pulse Filter Driver board, verify that the mainframe is putting out the Strobe Pulse. If the Strobe Pulse is coming onto the Pulse Filter Driver board, verify that the Pulse Filter is outputting the Sampler Strobe.
- D If the Strobe Pulse is not getting to the Pulse Filter Driver board, check that the mainframe is putting out the Strobe Pulse.

- 1 Disconnect the Blind-mate extender cable from the mainframe and probe the Blind-mate connector in the mainframe.

The waveform should be about the same as above Figure "Strobe Pulse." If the Strobe Pulse is coming out of the mainframe, the mainframe is OK. Troubleshoot the cabling that goes to this connector. If the Strobe Pulse is NOT coming out of the mainframe, the mainframe has a problem, or the mainframe was not setup correctly.

- 2 Verify the mainframe Trigger is set to Freerun. Also verify that the samplers have not been disabled.

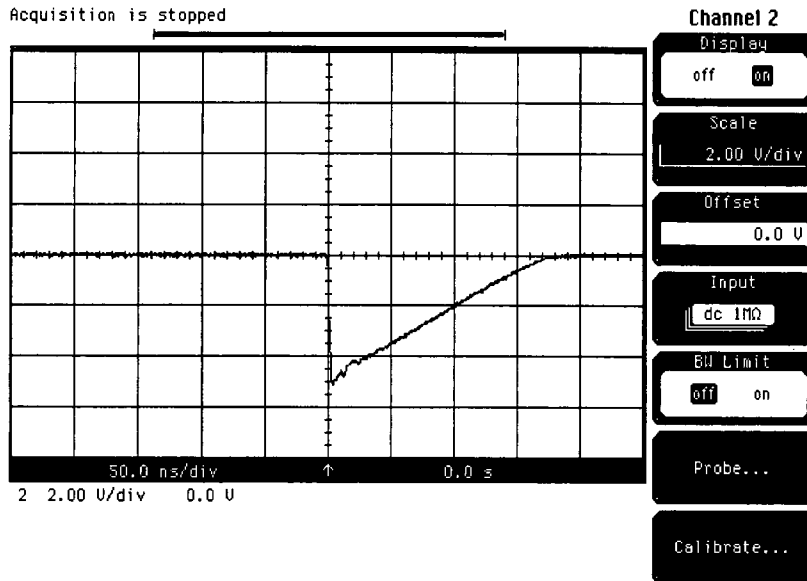
Press the Utility key, press the Calibration softkey, then verify that the Samplers softkey is set to **enabled**.

- E If the Strobe Pulse is not present, do the following five steps.

- 1 Press the Utility key, then press the **Declassify frame memory** softkey.
- 2 Turn the instrument off and back on.
- 3 Press the Setup key, then press the **Default setup** softkey.
- 4 Press the Trigger key, then set the **Sweep** softkey to **Freerun**.
- 5 Then check if the Strobe Pulse is present at the bottom blind-mate connectors in the mainframes plug-in cage.

If the Strobe Pulse is still not present at the lower blind-mate connectors, the mainframe has a problem. Replace the mainframe's Time base/Acquisition board assembly. (The mainframe must have a plug-in installed or attached to the extender ribbon cable to generate the the Strobe Pulses.)

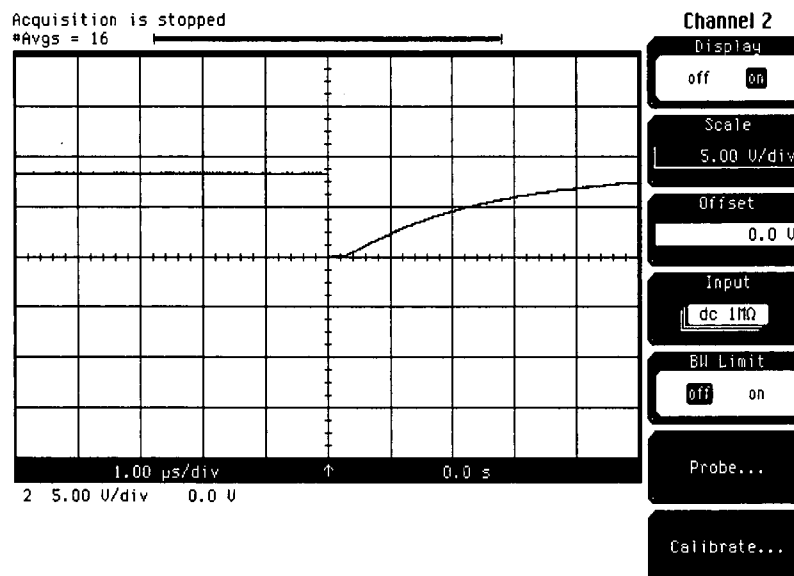
- F If the Strobe Pulse is present at the bottom blind-mate connectors in the mainframe's plug-in cage, the mainframe is functioning and the problem is in the cable/connectors in the plug-in. Check the cables and connectors for the opens, shorts, and interfacing.
- G If the Plug-in is receiving the Strobe Pulse, check an output of the Pulse Filter to see if the Pulse Filter Driver board and the Pulse Filter are functioning. The Pulse Filter has four output ports of which the plug-in uses only two. Remove the termination from the rear pulse filter port and carefully probe the port's center conductor. The waveform should be similar to waveform below. If the waveform is missing or significantly different, the Pulse Filter Driver board or the Pulse Filter are at fault.



Sampler Strobe Waveform

H If the Pulse Filter port output is bad, either the Pulse Filter Driver board or the Pulse Filter can be the problem. To isolate the problem to either the Pulse Filter Driver board or the Pulse Filter, check the Pulse Filter Driver board's output.

- 1 Turn off the power to the mainframe.
- 2 Remove the plug-in's top rail. To do this, remove the three screws at the top of the digital interface board, the two screws at the top of the sampling/IF amplifier board, and the six screws holding the top rail to the plug-in's front and rear panels.
- 3 Loosen the three screws that secure the bottom of the digital interface board to the bottom rail. Carefully tilt the digital board out. It is helpful to disconnect the two plug-in keyboard cables from the top-front of the board.
- 4 With the plug-in extended with the two extender cables, power up the mainframe. Probe the microwave transistor's collector lead. The collector is the lead that points toward the board fastening screws. The waveform should resemble waveform below.



Pulse Filter Driver Output Waveform

- 5 If the waveform is not correct, replace the Pulse Filter Driver. If the waveform is correct, the Pulse Filter Driver is working and the problem is in the Pulse Filter itself. Replace the failed item and return to Chart 1, Block A.
- I** If both samplers have been damaged by overvoltage, both channels may show the same failure much as a failure in a circuit common to both channels. Since the Pulse Filter is outputting a good Sampler Strobe pulse, the samplers may both have been damaged. If the new sampler fixes the channel, that confirms that both samplers have been damaged. If replacing the sampler does not fix the failed channel, problem is likely the Sampler/IF Amplifier board.
- J** If replacing the sampler in the failed channel does not fix the bad channel, replace the Sampler/IF Amplifier board assembly in the plug-in. After replacement, go to Chart 1, Block A.
- K** If replacing the first sampler fixes the first channel, it is likely that the second channel has a blown sampler also. Replace the sampler in the second channel and check the operation. Go back to Chart 1, Block A and check operation.

To return the instrument to HP for service 6-4
To remove and replace
Covers 6-4
Front panel 6-5
Digital Interface Board 6-6
Sampler board and samplers/pulse filter 6-6
Coaxial Interface Cables 6-8
Bus cable 6-9

Replacing Assemblies

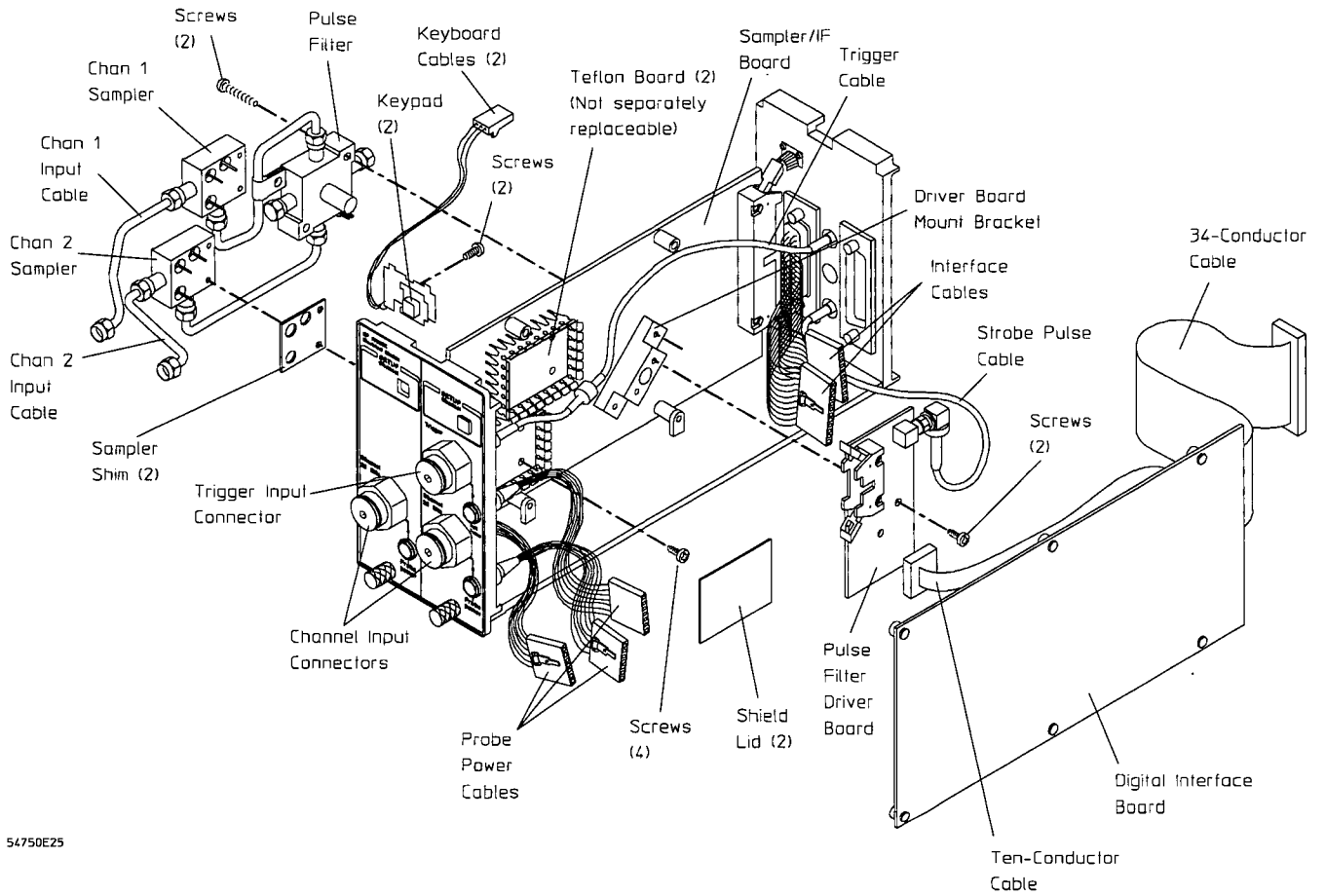
Use the procedures in this chapter when removing and replacing assemblies and parts in the plug-in.

ESD Precautions

Use proper ESD precautions when using any of the procedures in this chapter. As a minimum, place the instrument on a properly grounded ESD mat and wear a properly grounded ESD wrist strap. Failure to take ESD precautions can cause immediate or potential failures in the instrument.

Tools Required

- Torx driver: T10
- Open-end wrench: 10 mm
- Open-end wrench: 7/32 inch
- Socket wrench: 5/8 inch
- Pozidrive screwdriver: #1
- Connector removal tool AMP Tool No. 305141-4—for output connectors
- Torque wrench: 5 in/lb, 5/16 inch
- Torque wrench: 8 in/lb, 5/16 inch



54750E25

Plug-in Part Locations

To return the instrument to HP for service

Before shipping the instrument to Hewlett-Packard, contact your nearest HP sales office for additional details.

1 Write the following information on a tag and attach it to the instrument.

- Name and address of owner
- Instrument model numbers
- Instrument serial numbers
- Description of the service required or failure indications

2 Remove all accessories from the instrument.

Accessories include all cables. Do not include accessories unless they are associated with the failure symptoms.

3 Protect the instrument by wrapping it in plastic or heavy paper.

4 Pack the instrument in foam or other shock absorbing material and place it in a strong shipping container.

You can use the original shipping materials or order materials from an HP sales office. If neither is available, place 3 to 4 inches of shock-absorbing material around the instrument and place it in a box that does not allow movement during shipping.

5 Seal the shipping container securely.

6 Mark the shipping container as FRAGILE.

In any correspondence, refer to the instrument by model number and full serial number.

To remove and replace the covers

A cover comes off more easily when it is released one edge at a time.

- 1 With a small screwdriver, pry up at one of the rear corners of the cover.**
- 2 Once a corner is free, lift the cover so that nearly one entire edge is loose.**
- 3 Starting at the other rear corner, lift the other side of the cover.**
- 4 When both edges of the cover are loose, remove the front edge of the cover from under the edge of the front panel.**
- 5 To replace the cover, reverse the procedure.**

To remove and replace the front panel

You must remove the front panel to replace the keyboard.

Front Panel

- 1 Remove the side covers.
- 2 Remove the top rail by removing the 6 screws that secure it to the front and rear castings. Remove the 2 screws that secure the top of the digital interface and sampler IF board assemblies.
- 3 Disconnect the 2 channel input semi-rigid cables from the bulk-head connectors.
- 4 Disconnect the trigger input SMA cable from the bulk-head connector.
- 5 Remove the 2 screws that secure the front panel to the bottom rail.
- 6 Disconnect the probe and auxiliary power cables and setup channel keys from the digital board.
- 7 To replace the front panel reverse the procedure, taking note of the following:
 - Auxiliary power cable connects to J9
 - (A) channel probe power connects to J6
 - (B) B channel probe power connects to J5
 - (A) keyboard cable connects to J8
 - (B) keyboard cable connects to J7

Input Connectors

Use a 5/8-in open-end wrench to remove the rear nut and lockwasher that hold each APC 3.5 bulk head connector to the front panel.

Keyboard

Remove the keyboard screw and lift the keyboard off the keypad.

CAUTION

Be careful not to contaminate the key side of the PC board or the keypads. Dust or fingerprints on these parts may cause intermittent key operation.

To remove and replace the digital interface board

- 1 Remove the side covers.
 - 2 Remove the top rail.
 - a Remove the 3 screws that secure the digital board to the top rail.
 - b Remove the 2 screws that secure the sampler/IF board to the top rail.
 - c Remove the 5 screws that secure the top rail to the front and rear frames.
 - 3 Remove the three screws that secure the digital board to the bottom rail.
 - 4 Swing the digital board out and disconnect the various cables:
 - a Disconnect the 2 three-conductor keyboard cables.
 - b Disconnect the 3 probe power cables.
 - c Disconnect the ten-conductor ribbon cable going from the digital board to the pulse filter driver board.
 - d Disconnect the 34-conductor ribbon cable going to the sampler board.
 - e Disconnect the two connectors that go to the interface cable.
 - 5 To reassemble the plug-in, reverse the above procedure.
-

To remove and replace the sampler board and samplers/pulse filter

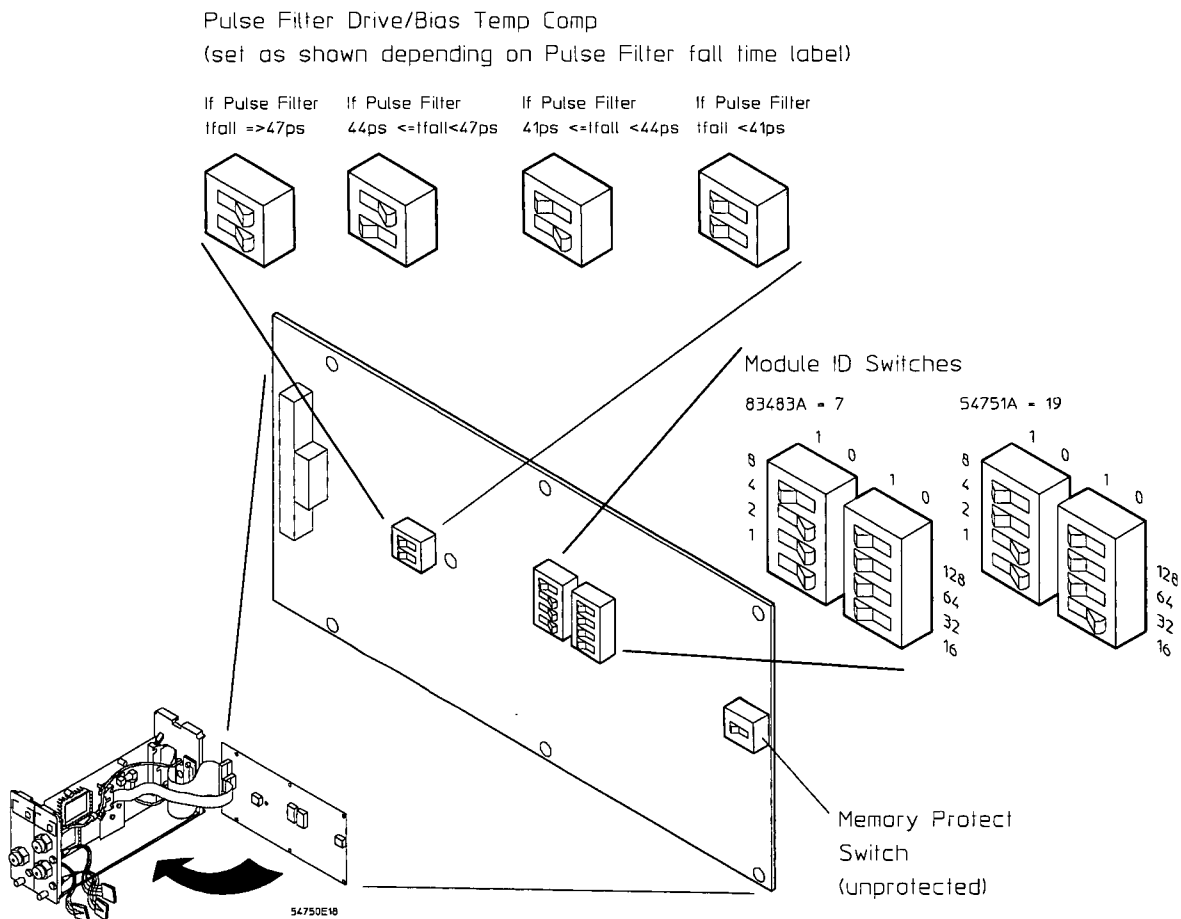
- 1 Remove the side covers.
- 2 Remove the top rail as described above.
- 3 Remove the digital board as described above.
- 4 Disconnect the channel 1 and 2 input semi-rigid cables from the samplers and input connectors.
- 5 Disconnect the strobe pulse cable from the pulse filter driver board.
- 6 Remove the 2 screws that secure the bottom of the sampler/IF board to the bottom casting.
- 7 Swap the samplers and pulse filter to the new sampler/IF board.
 - a Remove the 2 semi-rigid cables between the pulse filter and the samplers.

CAUTION

The samplers are very susceptible to ESD damage. Use ESD precautions while disassembling the sampling assembly. Also the sub-boards inside the shields are special low-leakage assemblies, do not touch these assemblies with your fingers. Contamination will cause leakage paths.

- b Remove the shield covers and remove the 2 screws that secure each of the samplers to the board.
 - c Remove the 2 screws that secure the pulse filter driver board to the pulse filter spacer.
 - d Remove the 2 screws securing the pulse filter to the sampler/IF board and pulse filter spacer.
- 8 To reinstall the sampler board follow the above instructions in reverse order.
- 9 Torque all SMA connectors to 5 inch/lbs.

Replacing Assemblies
To remove and replace the sampler board and samplers/pulse filter



Digital Interface Board switch settings

To remove and replace the plug-in rear panel coaxial interface cables

You need a special tool to remove these cables from the rear panel.

- AMP Tool No. 305141-4

The coaxial interface cables are held in the rear panel by tapered snap rings that expand once they pass the shoulder in the mounting hole. The special tool compresses the snap ring and pushes the connector out of its mounting.

The connectors in the rear panel are spring loaded so they mate firmly with the connectors at the rear of the plug-in compartment.

1 Remove the side covers.

At the rear panel, there are two OSP (blindmate) coaxial cable connectors.

- a The lower coaxial cable is the strobe pulse cable that connects to the pulse filter driver board.
- b The upper coaxial cable is the trigger cable that connects to the trigger input connector on the front panel.

2 Remove the digital interface board using the instructions earlier in this chapter.

Disconnect both the trigger cable and the strobe pulse cable from their respective connectors.

3 Remove the 6 screws that secure the rear panel so the rear panel can be removed.

4 Remove and replace the rear-panel connector.

- a To remove, slide the special tool over the rear of the connector.
- b While pushing the tool on, rotate it slightly to slip it over the locking ring.
- c Push on the tool plunger to extract the connector.

Pushing the plunger first takes up the spring in the connector, then pushes the connector past the mounting hole shoulder. A very firm force is necessary to remove the connector.

- d To replace, set the connector into the rear panel hole.
- e Use a blunt tool to force the connector to lock in the rear panel.

CAUTION

Push on the connector, not on the cable. Pushing the cable could damage it and cause problems.

- f Make sure the connector is locked and won't fall out.

Use the handle end of a screw driver and push on the connector from the rear, enough to completely compress the spring tension on the connector.

5 Reverse steps 3 through 1 to reassemble the plug-in.

To remove and replace the bus cable

Just a couple of pointers are needed.

- Use a #1 pozi-drive screwdriver to remove and replace this cable.
- The D-shell connector is designed to move freely on its mounting screws. The length of the screws is selected so they bottom in the mounting hole and allow the connector shell to float.

CAUTION

If the bus connector does not float, it may interfere and cause damage when the plug-in is installed in the mainframe. When replacing the connector, use the same hardware you removed.

Ordering Replaceable Parts 7-2
Listed Parts 7-2
Unlisted Parts 7-2
Direct Mail Order System 7-2
Exchange Assemblies 7-2
Mechanical View 7-3
Replaceable Parts List 7-5

Replaceable Parts

This chapter contains information for ordering parts. Service support for this instrument is replacement of parts to the assembly level. The replaceable parts include assemblies and chassis parts.

Ordering Replaceable Parts

Listed Parts

To order a part in the parts list, quote the HP part number, indicate the quantity desired, and address the order to the nearest HP Sales/Service Office.

Unlisted Parts

To order a part not listed in the parts list, include the instrument part number, instrument serial number, a description of the part (including its function), and the number of parts required. Address the order to the nearest HP Sales/Service Office.

Direct Mail Order System

Within the USA, Hewlett-Packard can supply parts through a direct mail order system. There are several advantages to this system:

- Direct ordering and shipment from the HP parts center in California, USA.
- No maximum or minimum on any mail order (there is a minimum amount for parts ordered through a local HP sales office when the orders require billing and invoicing).
- Prepaid transportation (there is a small handling charge for each order).
- No invoices.

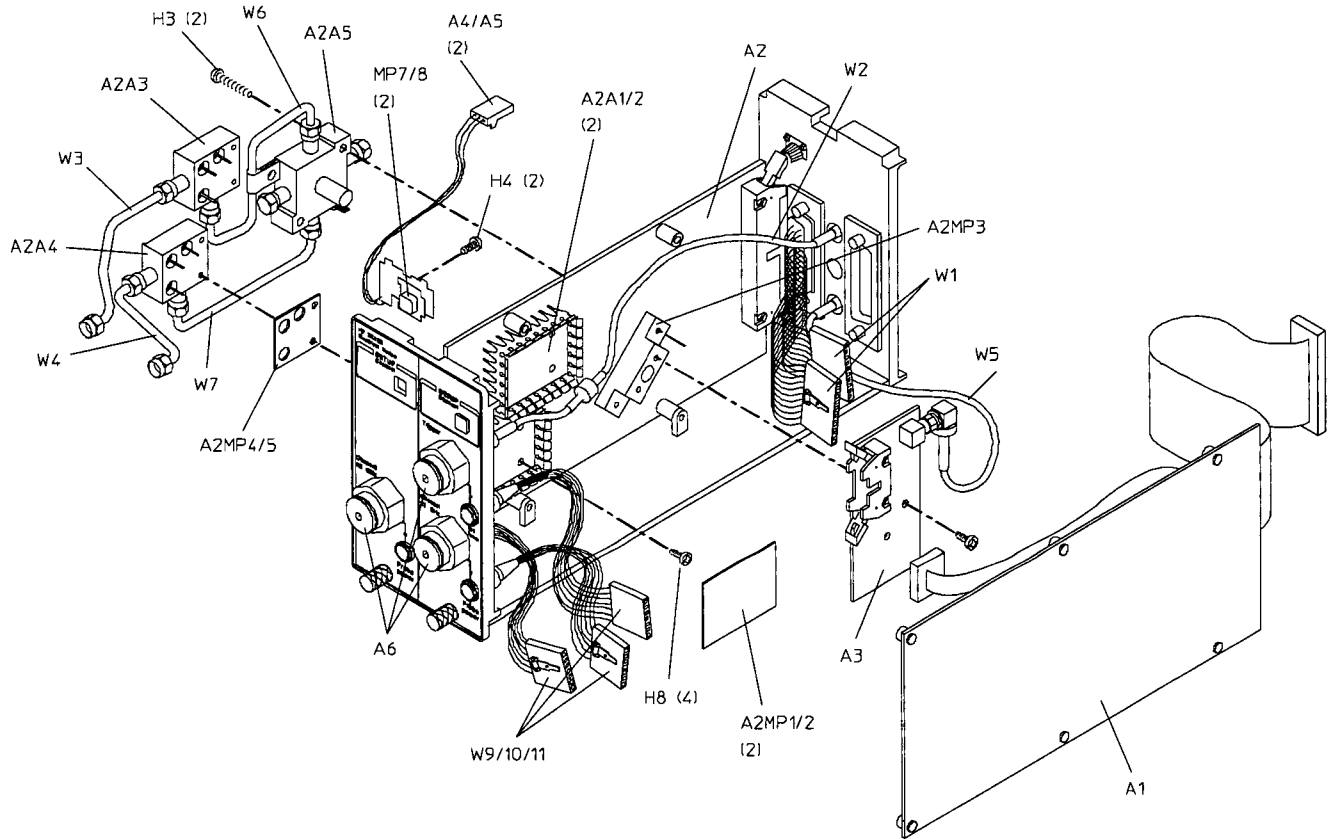
In order for Hewlett-Packard to provide these advantages, please send a check or money order with each order.

Mail order forms and specific ordering information are available through your local HP sales office. Addresses and telephone numbers are located in a separate document shipped with the manuals.

Exchange Assemblies

Some parts used in this instrument have been set up for an exchange program. This program allows the customer to exchange a faulty assembly with one that has been repaired, calibrated, and performance-verified by the factory. The cost is significantly less than that of a new part. The exchange parts have a part number in the form XXXXX-695XX.

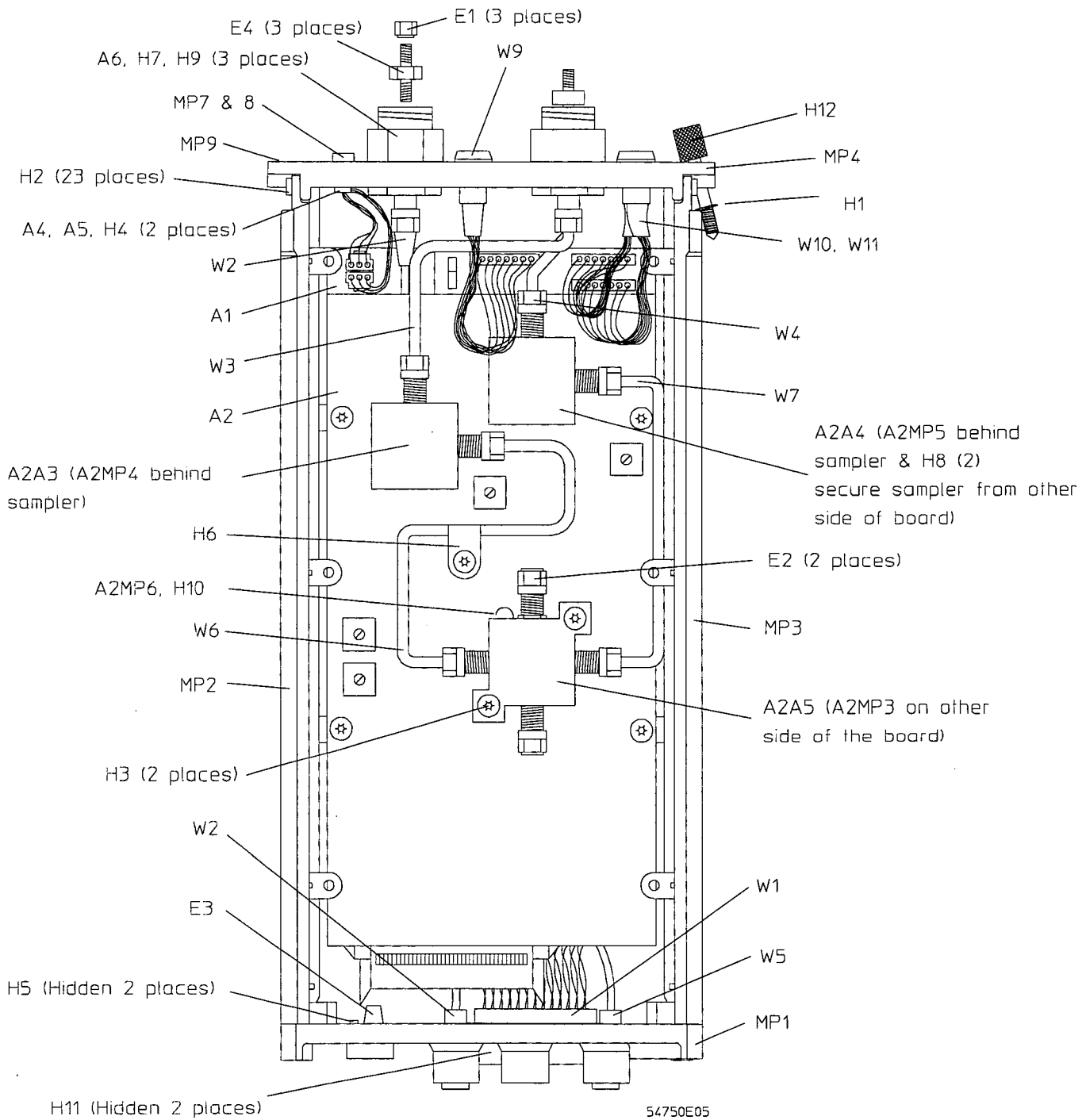
After receiving the repaired exchange part from Hewlett-Packard, a United States customer has 30 days to return the faulty assembly. For orders not originating in the United States, contact the local HP service organization. If the faulty assembly is not returned within the warranty time limit, the customer will be charged an additional amount. The additional amount will be the difference in price between a new assembly and that of an exchange assembly.



54750E20

Mechanical View

**Replaceable Parts
Ordering Replaceable Parts**



54750E05

Mechanical View

Replaceable Parts List

The following table is a list of replaceable parts and is organized as follows:

- Exchange assemblies in alphanumerical order by reference designation.
- Electrical assemblies in alphanumerical order by reference designation.
- Chassis-mounted parts in alphanumerical order by reference designation.

The information given for each part consists of the following:

- Reference designation.
- HP part number.
- Total quantity (QTY) in instrument or on assembly. The total quantity is given once and at the first appearance of the part number in the list.
- Description of the part.

Replaceable Parts
Replaceable Parts List

Replaceable Parts

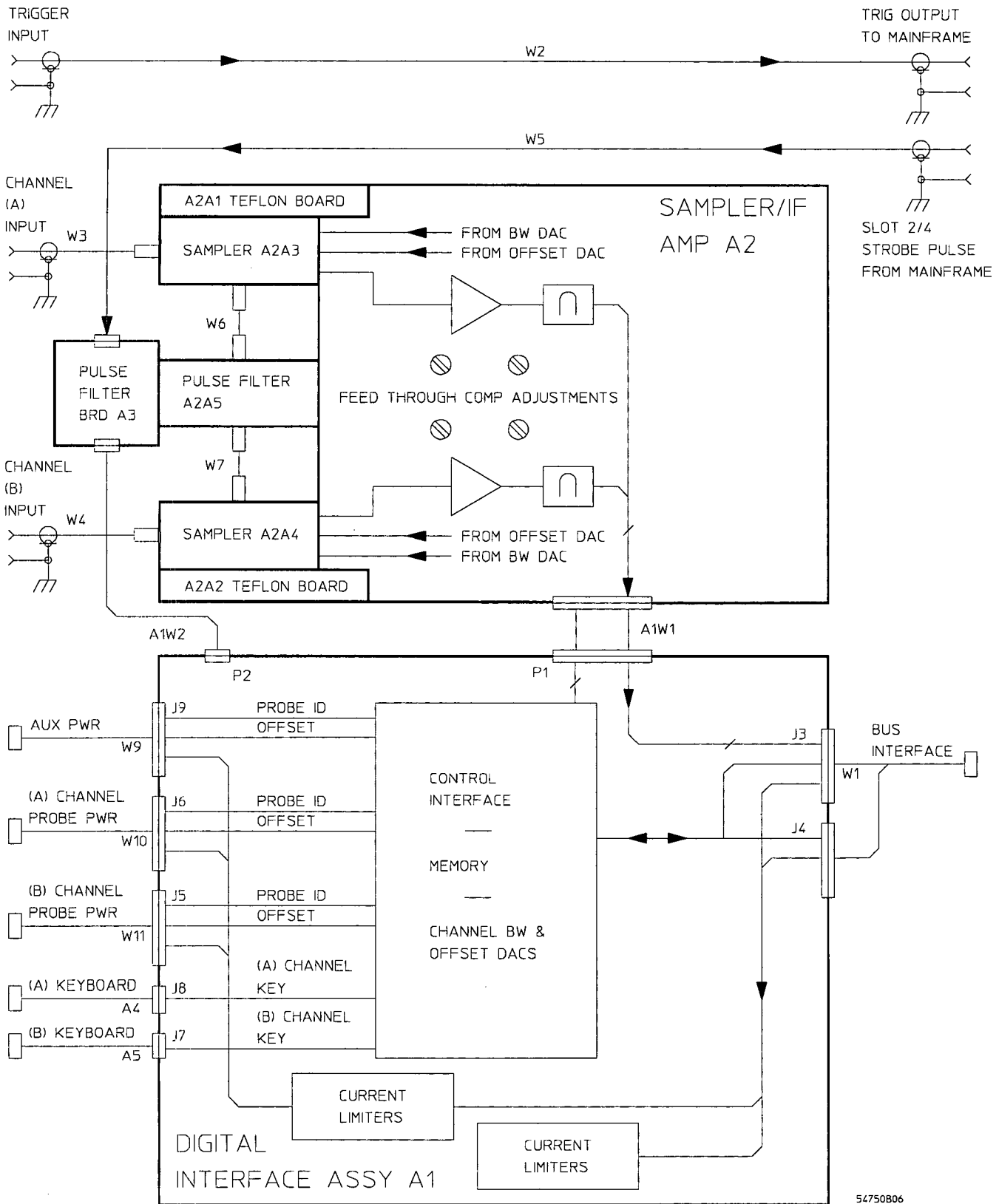
Ref. Des.	HP Part Number	QTY	Description
EXCHANGE ASSEMBLIES			
A2A3	5086-6699	1	REBUILT SAMPLER ASSEMBLY
A2A4	5086-6699	1	REBUILT SAMPLER ASSEMBLY
ELECTRICAL ASSEMBLIES			
A1	83481-60002	1	BD ASSY-DIGITAL INTERFACE
A2	83483-68001	1	BD ASSY-SAMPLER IF (Including A2A1 and A2A2. Does not include samplers A2A3, A2A4 or pulse filter A2A5)
A3	83481-60003	1	BD ASSY-PULSE FILTER DRIVER
A4	54710-66512	1	MODULE KEYBOARD
A5	54710-66512	1	MODULE KEYBOARD
A6	5062-1247	3	CONNECTOR ASSEMBLY, CHAN1, CHAN2, TRIGGER
A2A1	83481-60022	1	BD ASSY-TEFLON BD (ORDER A2 ASSY)
A2A2	83481-60022	1	BD ASSY-TEFLON BD (ORDER A2 ASSY)
A2A3	5086-7699	1	SAMPLER
A2A4	5086-7699	1	SAMPLER
A2A5	5086-7461	1	PULSE FILTER
A2MP1	83481-00001	1	SHIELD-LID
A2MP2	83481-00001	1	SHIELD-LID
A2MP3	83481-20006	1	MT BRKT-PULSE FILTER DRIVER BOARD
A2MP4	83481-20008	1	SHIM-SAMPLER
A2MP5	83481-20008	1	SHIM-SAMPLER
A2MP6	83481-20024	1	TEM-SENSOR CLAMP
CHASSIS PARTS			
E1	0960-0055	3	SMA SHORTS (m)
E2	1810-0118	2	TERM M SMA 50 OHM
E3	5001-5840	1	GROUNDING SPRING
E4	5061-5311	3	APC-3.5 (f) TO APC-3.5 (f)
H1	0510-0166	2	RETAINER RING
H2	0515-0372	23	MS M3 8MM-LG PAN-HD T10
H3	0515-0375	2	MS M3 X 0.5 16MM-LG
H4	0515-0430	4	MS M3 6MM-LG PAN-HD T10
H5	0515-0894	2	MS M2.5X0,45 6MM LG
H6	1400-0082	1	CLAMP-CBL .125
H7	2190-0104	3	WSHR LK .439 ID
H8	2360-0526	4	SCREW-MACH 4-40 .312-IN-LG PAN
H9	2950-0132	3	HEX NUT 7/16 - 28
H10	2950-0216	1	NUT-HEX-DBL-CHAM 5/16
H11	5041-9448	2	SCR-TPG 2-56
H12	5062-7543	2	SCREW - MODULE RETAINING
MP1	5041-9424	1	FRAME (rear)
MP2	5041-9425	1	RAIL DUAL (top)
MP3	5041-9425	1	RAIL (bottom)
MP4	5042-1002	1	FRONT FRAME
MP5	5062-7344	1	COVER - SIDE
MP6	5062-7344	1	COVER - SIDE

Replaceable Parts

MP7	54714-41903	1	SINGLE KEYPAD
MP8	54714-41903	1	SINGLE KEYPAD
MP9	E2603-94301	1	LABEL, FRT PANEL, "83483A"
W1	5062-7322	1	D SHELL INTERFACE CABLE ASSEMBLY
W2	83481-60006	1	CA ASSY-TRIGGER
W3	E2603-61601	1	CABLE-CHAN 1 INPUT
W4	E2603-61602	1	CABLE-CHAN 2 INPUT
W5	83481-60007	1	CABLE, COAX - REAR PANEL TO PULSE FILTER BOARD
W6	E2603-61603	1	CABLE-CHAN 1 SAMP PULSE FILTER
W7	E2603-61604	1	CABLE-CHAN 2 SAMP PULSE FILTER
W8			NOT USED
W9	54710-61605	1	PROBE POWER CBL ASSY
W10	54710-61605	1	PROBE POWER CBL ASSY
W11	54710-61605	1	PROBE POWER CBL ASSY

Channel Signal Path 8-3
Digital Interface 8-4
Probe Power 8-5
Power Supplies 8-5

Theory of Operation



54750806

Block Diagram

Theory of Operation

The 54751A / 83483A Electrical Module is a sampling plug-in for use with the 54750A High Bandwidth Oscilloscope and 83480A Digital Communications Analyzer mainframes. The sampling plug-in occupies two slots and has two channels that are selectable between 20 GHz and 12.4 GHz bandwidths. The plug-in is triggered by a 2.5 GHz bandwidth external trigger. The two channel inputs and the trigger input are 3.5 mm connectors.

Three additional front-panel connectors provide power for using an HP 54701A Active Probe on each of the two channel inputs and the trigger input. Two front panel menu keys call up the setup menus for their respective input channels.

Channel Signal Path

The primary signal path components in the plug-in are the input samplers and sampler drive circuitry, two charge amplifiers, and IF filters in the plug-in. The signal path components in the mainframe are the track and hold, the A/D, and the FIFO memory.

Sampler and Sampler Drive Circuitry Sampler drive circuitry receives the strobe pulse from the mainframe through the lower blind-mate connector and cable. The strobe pulse is carried to the Pulse Filter board, A3, which drives the Pulse Filter, A2A5, which drives the two samplers in the plug-in. When the sampler is strobed, it outputs a charge that is proportional to the difference between the offset voltage and the input signal at that moment in time.

Charge Amplifier and IF Filter The difference charge from the sampler is amplified and converted into a bi-polar pulse by the charge amplifier and IF filters located in the plug-in. This bi-polar pulse is sent back into the mainframe where it goes to the track and hold circuits.

Mainframe Track and Hold, A/D, and FIFO Memory (See the mainframe theory of operation.) The mainframe track and hold circuits follow the amplitude of the bi-polar pulse. When the pulse reaches peak amplitude, the track and hold circuit holds the peak analog value. The A/D converters convert the track and hold's level to a 12-bit digital word. These 12-bit words are then put into a FIFO memory which are then processed by the CPU.

High Frequency Trigger The high frequency trigger provides a single trigger channel. The switch in the mainframe time base and acquisition assembly selects between the trigger input in the plug-in in slots 1-2 and the plug-in in slots 3-4. This trigger signal is carried to the mainframe by the upper blind-mate connector.

Digital Interface

The digital interface provides communication and control between the plug-in and the Module Interface Bus (MIB) in the mainframe. Along with other circuitry, the interface is located on the interface PC assembly. The digital interface provides the following functions.

Interface Communication The data interface with the MIB in the mainframe is serial. The digital interface converts serial data and address from the MIB to parallel for the plug-in and converts parallel data and address in the plug-in to serial for the MIB. In addition to the two data/address lines (one for input and one for output), the mainframe uses six other lines to communicate with the MIB.

Digital-to-Analog Converters A sixteen-bit DAC drives a current source as offset signals to the samplers. When a channel probe is installed, the output of the DAC drives a current source for the channel probe offset. The voltage output of the DAC is converted to a current for the probe.

Memory Plug-in memory is used for calibration factors, plug-in statistics (such as model and serial numbers), and calibration status (temperature, date, time, etc). The memory IC is an 8k by 8 EEPROM.

Channel Key Pressing the channel key sets a status bit and initiates an interrupt of the CPU in the mainframe.

Probe Power

There are two front panel connectors for probe power and control; one for the two channel probes. Each connector provides the six lines shown below, with a seventh line as a spare.

Two probe identification lines The probe pulls these lines low to inform the system of the attenuation factor of the probe. The state of each line is latched in the control interface. A change in the state of a line initiates an interrupt.

Since the circuitry senses the presence and type of probe, each probe power connector is associated with a given plug-in and function (channel or trigger). Probes must be connected to the proper probe power connector and not switched. Switched probe power cables may cause improper setup of the channel or trigger paths.

An offset line A DAC, followed by a voltage-to-current converter, provides a variable current for offset in active probes.

Two power supply lines These are ± 17 V supplies for active probes. The current is limited to approximately 400 mA maximum for each supply pin on each connector.

Ground This is ground for the probe power lines. Probe signal ground is through the signal coaxial cable.

In addition, there is an Aux power connector that supplies only the two power supply lines and ground.

Power Supplies

The mainframe supplies are ± 17 V, +15 V, and ± 7 V. The other supplies are regulated into ± 15 V, ± 7 V, and +5 V_{ref}. The ± 17 V supplies are also current limited and fed to the probe power connectors.

DECLARATION OF CONFORMITY

according to ISO/IEC Guide 22 and EN 45014

Manufacturer's Name: Hewlett-Packard Company

Manufacturer's Address: 1900 Garden of the Gods Road
Colorado Springs , CO 80907
U.S.A.

Declares, That the product

Product Name: Digitizing Oscilloscope

Model Number(s): HP 83480A and HP 83483A

Product Options: All

Conforms to the following Product Specifications:

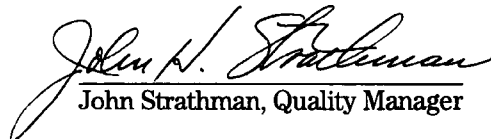
Safety: IEC 1010-1:1990+A1 / EN 61010-1:1993
UL 1301
CSA - C22.2 No. 1010.1:1993

EMC: CISPR 11:1990 /EN 55011 (1991): Group 1 Class A
IEC 801-2:1991 /EN 50082-1 (1992): 4 kV CD, 8 kV AD
IEC 801-3:1984 /EN 50082-1 (1992): 3 V/m, {1kHz 80% AM, 27-1000 MHz}
IEC 801-4:1988 /EN 50082-1 (1992): 0.5 kV Sig Lines, 1 kV Power Lines

Supplementary Information:

The product herewith complies with the requirements of the Low Voltage Directive 73/23/EEC and the EMC Directive 89/336/EEC.

Colorado Springs, 9/15/94


John Strathman, Quality Manager

European Contact: Your local Hewlett-Packard Sales and Service Office or Hewlett-Packard GmbH,
Department ZQ / Standards Europe, Herrenberger Strasse 130, 71034 Böblingen Germany (FAX: +49-7031-143143)

Reproduction, adaptation, or translation without prior written permission is prohibited, except as allowed under the copyright laws.

Document Warranty

The information contained in this document is subject to change without notice.

Hewlett-Packard makes no warranty of any kind with regard to this material, including, but not limited to, the implied warranties of merchantability or fitness for a particular purpose.

Hewlett-Packard shall not be liable for errors contained herein or for damages in connection with the furnishing, performance, or use of this material.

Product Warranty

This Hewlett-Packard product has a warranty against defects in material and workmanship for a period of one year from date of shipment. During the warranty period, Hewlett-Packard Company will, at its option, either repair or replace products that prove to be defective.

For warranty service or repair, this product must be returned to a service facility designated by Hewlett-Packard.

For products returned to Hewlett-Packard for warranty service, the Buyer shall prepay shipping charges to Hewlett-Packard and Hewlett-Packard shall pay shipping charges to return the product to the Buyer. However, the Buyer shall pay all shipping charges, duties, and taxes for products returned to Hewlett-Packard from another country.

Hewlett-Packard warrants that its software and firmware designated by Hewlett-Packard for use with an instrument will execute its programming instructions when properly installed on that instrument. Hewlett-Packard does not warrant that the operation of the instrument software, or firmware will be uninterrupted or error free.

Limitation of Warranty

The foregoing warranty shall not apply to defects resulting from improper or inadequate maintenance by the Buyer, Buyer-supplied software or interfacing, unauthorized modification or misuse, operation outside of the environmental specifications for the product, or improper site preparation or maintenance.

No other warranty is expressed or implied. Hewlett-Packard specifically disclaims the implied warranties of merchantability or fitness for a particular purpose.

Exclusive Remedies

The remedies provided herein are the buyer's sole and exclusive remedies. Hewlett-Packard shall not be liable for any direct, indirect, special, incidental, or consequential damages, whether based on contract, tort, or any other legal theory.

Assistance

Product maintenance agreements and other customer assistance agreements are available for Hewlett-Packard products.

For any assistance, contact your nearest Hewlett-Packard Sales Office.

Certification

Hewlett-Packard Company certifies that this product met its published specifications at the time of shipment from the factory. Hewlett-Packard further certifies that its calibration measurements are traceable to the United States National Institute of Standards and Technology, to the extent allowed by the Institute's calibration facility, and to the calibration facilities of other International Standards Organization members.

Safety

This apparatus has been designed and tested in accordance with IEC Publication 1010, Safety Requirements for Measuring Apparatus, and has been supplied in a safe condition. This is a Safety Class I instrument (provided with terminal for protective earthing). Before applying power, verify that the correct safety precautions are taken (see the following warnings). In addition, note the external markings on the instrument that are described under "Safety Symbols."

Warning

- Before turning on the instrument, you must connect the protective earth terminal of the instrument to the protective conductor of the (mains) power cord. The mains plug shall only be inserted in a socket outlet provided with a protective earth contact. You must not negate the protective action by using an extension cord (power cable) without a protective conductor (grounding). Grounding one conductor of a two-conductor outlet is not sufficient protection.

- Only fuses with the required rated current, voltage, and specified type (normal blow, time delay, etc.) should be used. Do not use repaired fuses or short-circuited fuseholders. To do so could cause a shock of fire hazard.

- Service instructions are for trained service personnel. To avoid dangerous electric shock, do not perform any service unless qualified to do so. Do not attempt internal service or adjustment unless another person, capable of rendering first aid and resuscitation, is present.

- If you energize this instrument by an auto transformer (for voltage reduction), make sure the common terminal is connected to the earth terminal of the power source.

- Whenever it is likely that the ground protection is impaired, you must make the instrument inoperative and secure it against any unintended operation.

- Do not operate the instrument in the presence of flammable gasses or fumes. Operation of any electrical instrument in such an environment constitutes a definite safety hazard.

- Do not install substitute parts or perform any unauthorized modification to the instrument.
- Capacitors inside the instrument may retain a charge even if the instrument is disconnected from its source of supply.

- Use caution when exposing or handling the CRT. Handling or replacing the CRT shall be done only by qualified maintenance personnel.

Safety Symbols



Instruction manual symbol: the product is marked with this symbol when it is necessary for you to refer to the instruction manual in order to protect against damage to the product.



Hazardous voltage symbol.



Earth terminal symbol: Used to indicate a circuit common connected to grounded chassis.

WARNING

The Warning sign denotes a hazard. It calls attention to a procedure, practice, or the like, which, if not correctly performed or adhered to, could result in personal injury. Do not proceed beyond a Warning sign until the indicated conditions are fully understood and met.

CAUTION

The Caution sign denotes a hazard. It calls attention to an operating procedure, practice, or the like, which, if not correctly performed or adhered to, could result in damage to or destruction of part or all of the product. Do not proceed beyond a Caution symbol until the indicated conditions are fully understood or met.

About this edition

This is the first edition of the
*HP 83483A 20 GHz Electrical
Plug-in Service Guide.*

The following list of pages gives
the date of the current edition and
of any changed pages to that
edition.

Publication number 83483-90002

Printed in USA.

Edition dates are as follows:

First edition, June 1995

All pages original edition

New editions are complete
revisions of the manual. Update
packages, which are issued
between editions, contain
additional and replacement pages
to be merged into the manual by
you. The dates on the title page
change only when a new edition is
published.

A software or firmware code may
be printed before the date. This
code indicates the version level of
the software or firmware of this
product at the time the manual or
update was issued. Many product
updates do not require manual
changes; and, conversely, manual
corrections may be done without
accompanying product changes.
Therefore, do not expect a
one-to-one correspondence
between product updates and
manual updates.